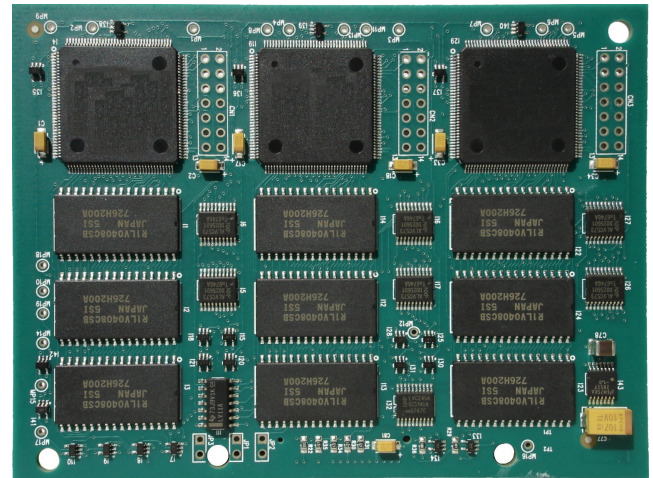




DSP-2 DSP extension board, 1500 MIPS

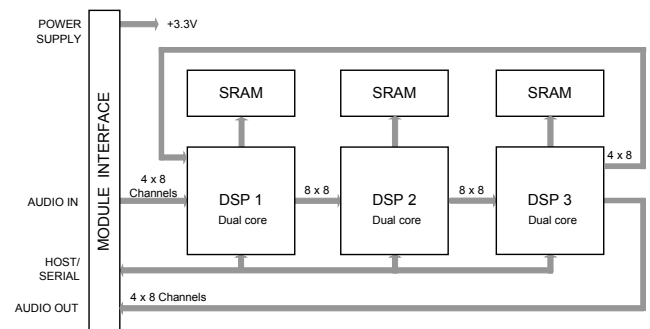
- 1500 MIPS computing capacity
- 3 RAM banks (512k x 24 Bit) - allow for additional delay lines up to 32.7 seconds
- 48 Bit signal processing - Double Precision DSP algorithms
- Automatic Configuration - IRIS-Net detects when a module is added or removed



The DSP-2 v2 is a DSP extension module for use in an Electro-Voice NetMax or DYNACORD P 64 system. The module provides additional DSP for extending the signal processing capacity and additional RAM memory for implementing longer delay times or a greater number of delay lines.

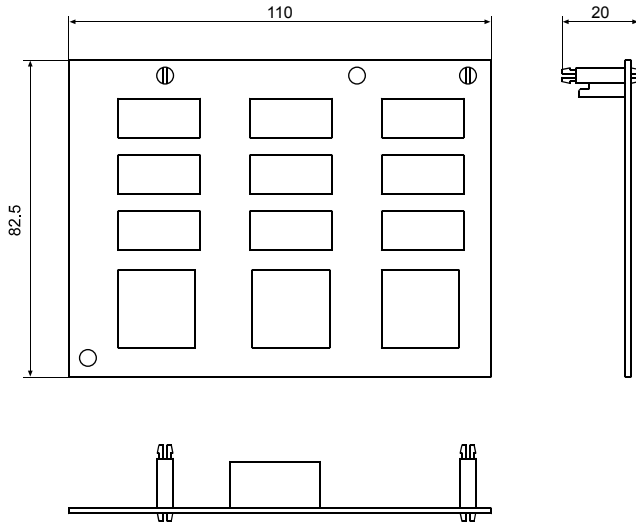
Technical specifications

Supply voltage/current	+3.3 V DC, ±0.3 V/300 mA
Sample rate	48 kHz
Data format	48 Bit processing
Processing power	1500 MIPS
Memory	3 x 512k x 24 Bit SRAM/32.7 s max. delay
Signal delay	0.250 ms
Electromagnetical environment	E1, E2, E3
Operating temperature	0 °C to 40 °C
Dimensions (Height x Width x Depth)	20 mm x 110 mm x 82.5 mm
Net weight	50 g



Block diagram

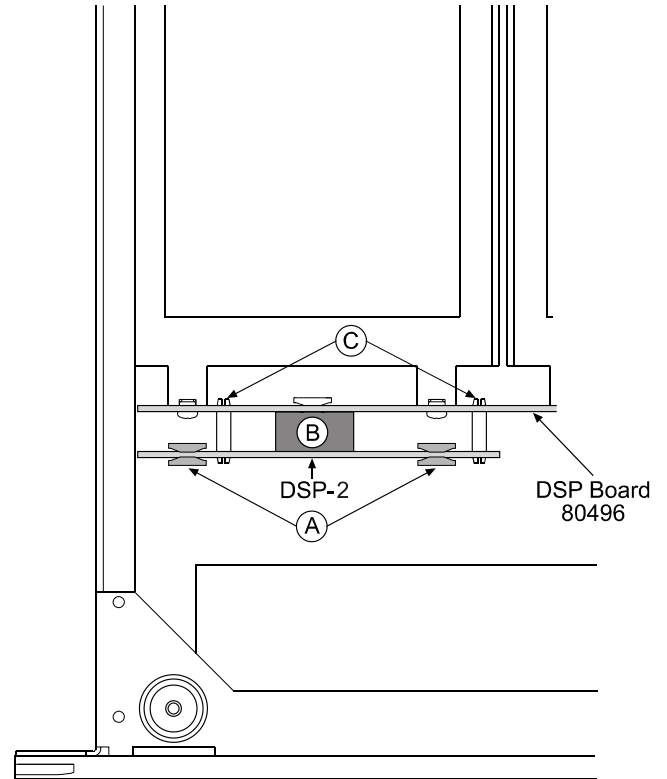
2 | DSP-2 DSP extension board, 1500 MIPS



Dimensions

Installation/configuration notes

1. Turn off the power to the unit and remove the mains lead.
2. Remove the top cover.
3. Install the DSP-2 module (see illustration below). Place the module in the guide slots (A) on the bottom panel.
4. Align the plug to the appropriate socket (B) and insert the plastic spacers into the mounting holes (C).
5. Re-fit the top cover.
6. Attach the label at the rear panel to indicate that the DSP v2 module is installed.
7. Reconnect the mains power and turn on the unit.
8. DSP-2 module is automatically detected. No further configuration is required.



Parts included

Quantity	Component
1	DSP-2 module
1	Engineering data sheet
2	Plastic spacers
1	Label <i>DSP-2 v2 installed</i>

Ordering information

DSP-2 DSP extension board, 1500 MIPS

DSP-2 DSP Extender Module, adds 1500 MIPS DSP power

Order number **DSP-2**

Represented by:

Germany:
Bosch Sicherheitssysteme GmbH
Robert-Bosch-Ring 5
85630 Grasbrunn
Germany

Bosch Security Systems, Inc.
130 Perinton Parkway
Fairport, NY 14450
USA

www.electrovoice.com