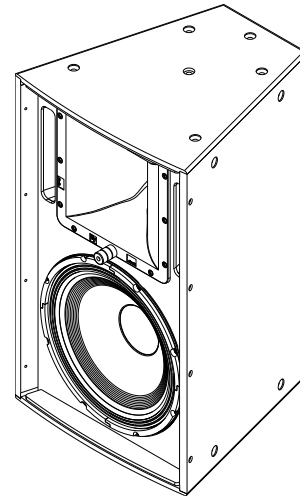


EVF-1152S/64-FG Arrayable point-source 15" fully-weatherized loudspeaker

- 15-inch arrayable two-way point-source loudspeaker
- Rotatable constant directivity waveguide
- 101 dB Sensitivity, 134 dB Maximum SPL
- System Rating: 500W Continuous, (2000W Peak)
- Partially-weatherized PI and fully-weatherized FG versions available with gland nut and stainless-steel grille



The Electro-Voice EVF-1152S/64-FG is a fully-weatherized, fiberglass-coated, high power, 2-way loudspeaker system that can be used in a variety of applications where high quality sound reinforcement is required in a compact, lightweight package.

The EVF-1152S/64-FG utilizes the ND2B, a high output 2" titanium compression driver, coupled to a Constant Directivity 60° x 40° waveguide. The SMX2151 15" woofer used FEA optimization for motor, suspension, and electrical design for very low distortion, high efficiency, and maximum intelligibility at high SPL levels. The crossover uses steep 24 dB/octave slopes with equalization for very smooth response in vocal range, linear off-axis response, and a protection circuit for long term reliability.

The EVF-1152S/64-FG features make it ideal for many fixed install applications, including applications with full exposure to outdoor elements. The trapezoidal enclosure is constructed out of weather resistant birch, and coated with fiberglass for maximum protection from extreme outdoor elements. The unique acoustic and rigging design allows for vertical and horizontal arrays to be built using any combination of loudspeakers from the entire EVF & EVH Series, with 7 horn patterns to choose from and an assortment of Low Frequency and subwoofer loudspeakers, it gives you the tools to maximize flexibility of system design, no matter what the application and budget. The innovative input panel provides phoenix style connectors (included in all standard models) and gland nut cover plate (for weatherizing applications). An externally accessible jumper selects passive or active operation. An available 70.7/100 Volt transformer kit simply mounts to the input panel for use in distributed systems. All

these features give you the flexibility to do a large range of venues in extreme environments with fewer items in inventory and quickly support your customer's requirements.

Technical specifications

Frequency response (-3 dB):	112 Hz - 14 kHz ¹
Frequency range (-10 dB):	55 Hz - 18 kHz ¹
Rec. hipass frequency:	55 Hz
Axial sensitivity:	101 dB (1W/1m)
Max. calculated SPL:	134 dB
Horizontal coverage:	60° (or 40°)
Vertical coverage:	40° (or 60°)
Power handling:	500 W continuous, 2000 W peak
LF transducer:	SMX2151, 15 in (381 mm) driver
HF transducer:	ND2B, 2 in (51 mm) diaphragm compression driver
Crossover frequency:	1450 Hz
Nominal impedance:	8 Ω
Minimum impedance:	6.0 Ω
Connectors:	(2) 4 Contact 10 AWG Phoenix/ Euroblock style screw terminal, gland nut with input panel cover included for weatherizing
Enclosure material:	13 Ply weather resistant birch, fiberglass finish
Grille:	18 GA stainless steel with hydrophobic cloth and rotatable logo

Suspension: (22) M10 threaded points

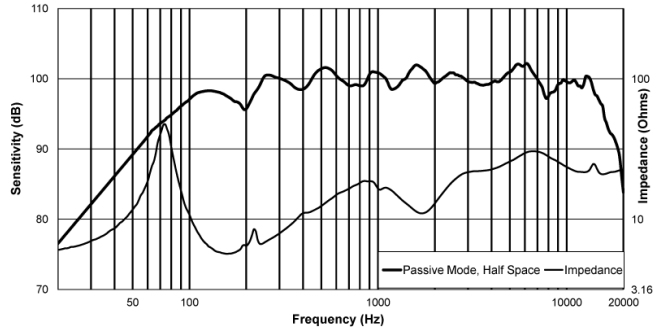
Dimensions (H x W x D): 30.26 in x 18.50 in x 18.37 in
(768.6 mm x 469.8 mm x 466.6 mm)

Net weight: 70.9 lb (32.1 kg)

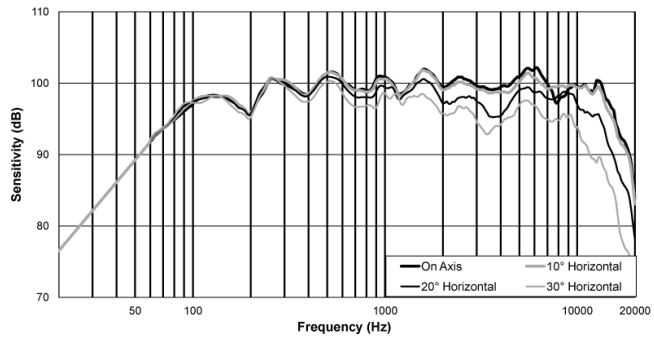
Shipping weight: 81.2 lb (36.8 kg)

¹Half space measurement.

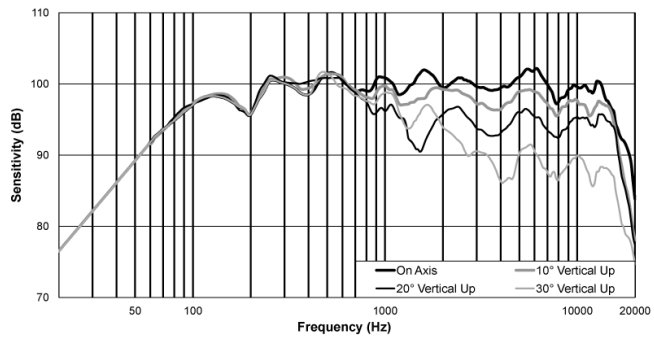
Frequency Response & Impedance:



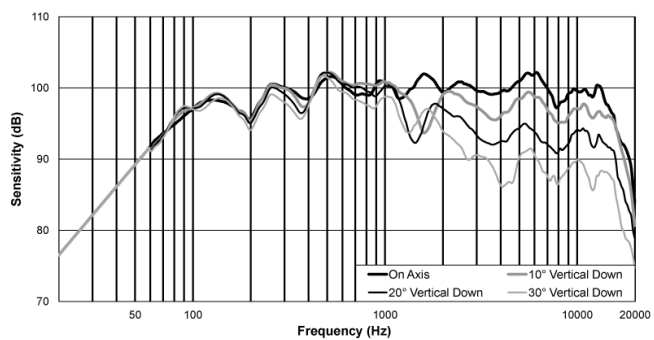
Horizontal Off Axis Frequency Response:



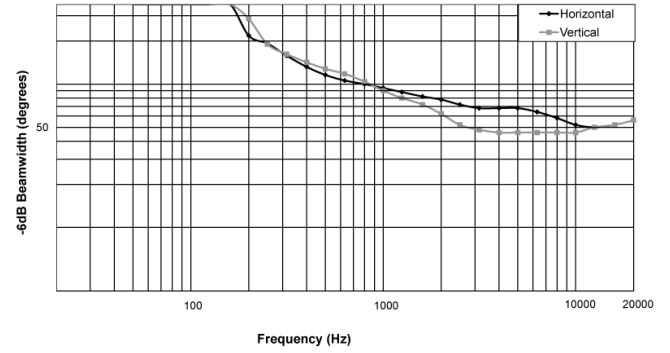
Vertical Off Axis Frequency Response (Up):



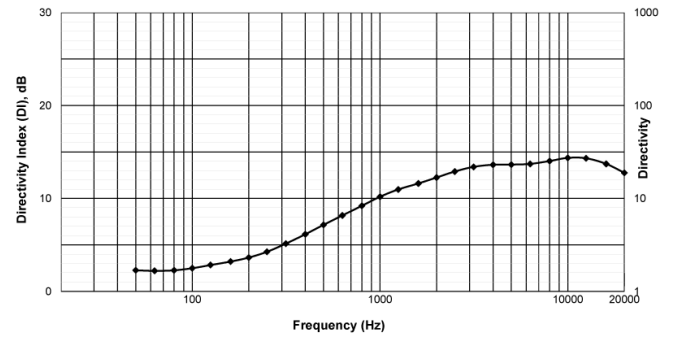
Vertical Off Axis Frequency Response (Down):



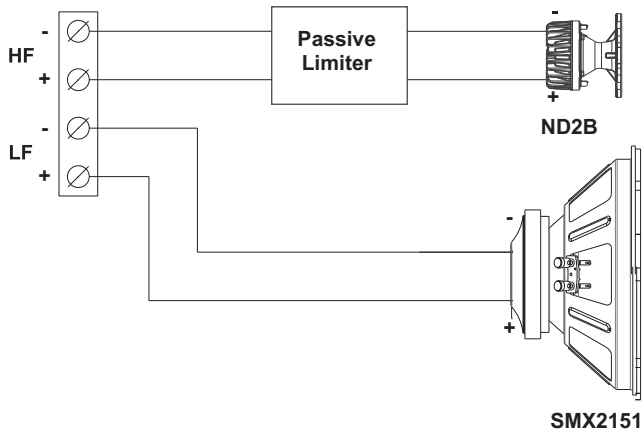
Beamwidth:



Directivity:

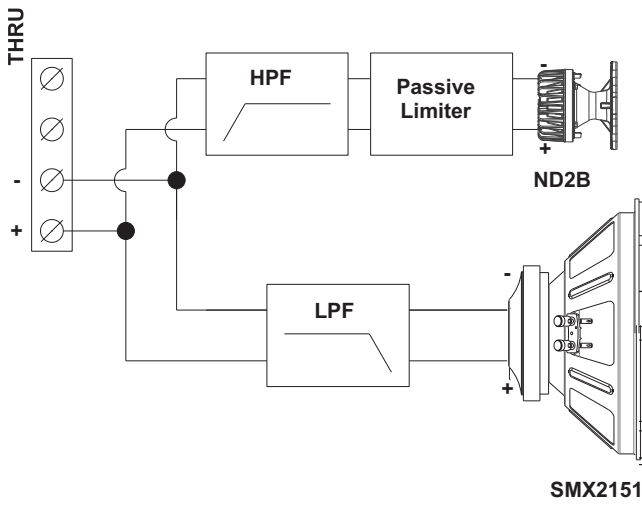


Block Diagram (Biamp):

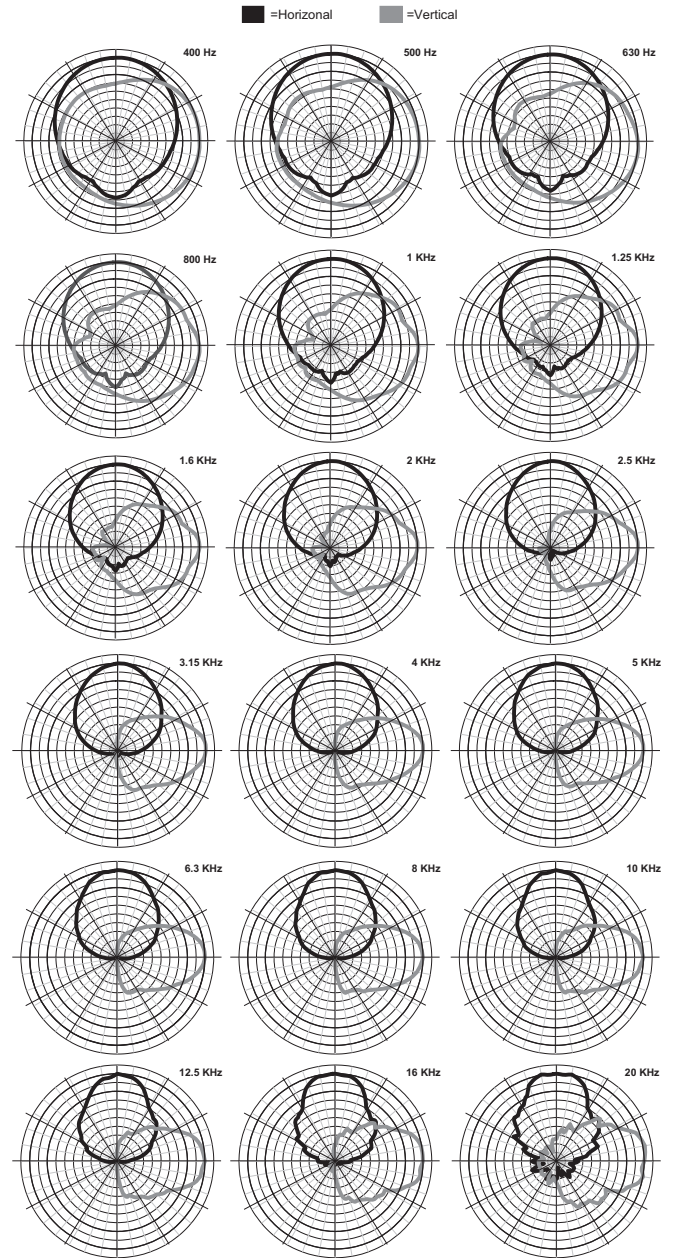


Block Diagram (Passive):

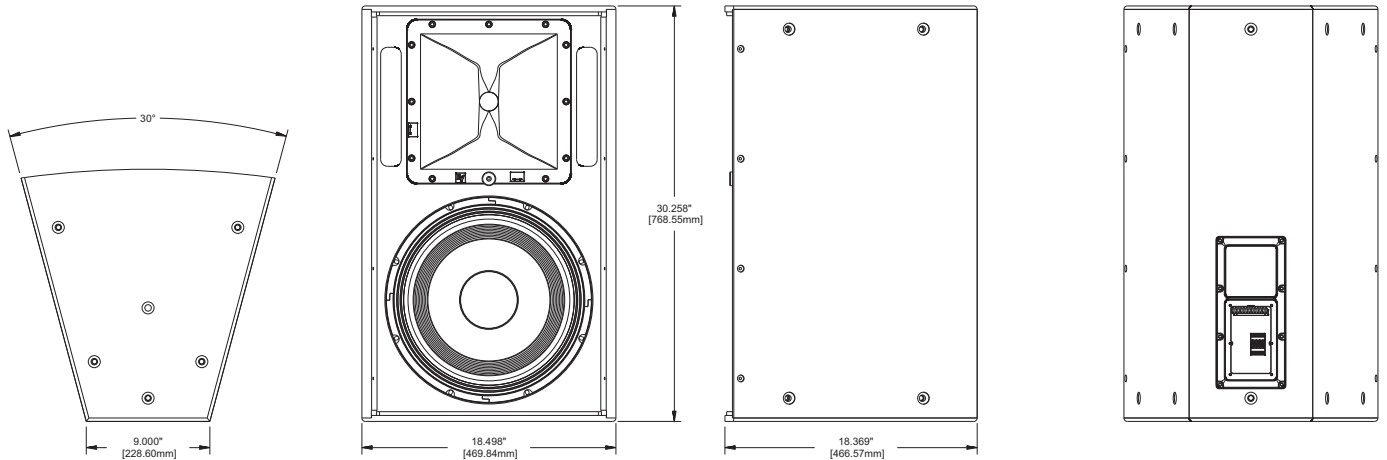
Standard shipping configuration



Polar Plots (1/3 Octave):



Dimension Drawing:



Notice

This Electro-Voice loudspeaker should be suspended overhead only in accordance with the procedures and limitations specified in the User's Manual and possible manual update notices. This system should be suspended with certified rigging hardware by an authorized rigging professional and in compliance with local, state, and federal overhead suspension ordinances.

Compatible System Solutions:

EVF-1122S/64	60° x 40° Coverage
EVF-1122S/66	60° x 60° Coverage
EVF-1122S/94	90° x 40° Coverage
EVF-1122S/96	90° x 60° Coverage
EVF-1122S/99	90° x 90° Coverage
EVF-1122S/126	120° x 60° Coverage
EVF-1152S/43	40° x 30° Coverage
EVF-1152S/66	60° x 60° Coverage
EVF-1152S/94	90° x 40° Coverage
EVF-1152S/96	90° x 60° Coverage
EVF-1152S/99	90° x 90° Coverage
EVF-1121S	12" Bass Element
EVF-1151S	15" Bass Element
EVF-1181S	18" Bass Element
CPS2.9	120V Power Amplifier, 2 x 900W
CPS2.12	120V Power Amplifier, 2 x 1200W
CPS4.5	120V Power Amplifier, 4 x 500W
CPS4.10	120V Power Amplifier, 4 x 1000W

Ordering information

EVF1152S64BLKLB 15" 60x40 indoor black

EVF 15" / 2-way Full-range Systems; SMX woofer & ND2B driver (500 W cont.); 60° x 40°, EVCoat, black
Order number **EVF1152S64BLKLB | F.01U.272.522**

EVF1152S64BLKE 15" 60x40 indoor black

EVF 15" / 2-way Full-range Systems; SMX woofer & ND2B driver (500 W cont.); 60° x 40°, EVCoat, black
Order number **EVF1152S64BLKE | F.01U.206.185**

EVF1152S64WHTE 15" 60x40 indoor white

EVF 15" / 2-way Full-range Systems; SMX woofer & ND2B driver (500 W cont.); 60° x 40°, EVCoat, white
Order number **EVF1152S64WHTE | F.01U.206.186**

EVF1152S64FBLB 15" 60x40 fiberglass black

EVF 15" / 2-way Full-range Systems; SMX woofer & ND2B driver (500 W cont.); 60° x 40°, EVCoat, fiberglass, black
Order number **EVF1152S64FBLB | F.01U.272.939**

EVF1152S64FWLB 15" 60x40 fiberglass white

EVF 15" / 2-way Full-range Systems; SMX woofer & ND2B driver (500 W cont.); 60° x 40°, EVCoat, fiberglass, white
Order number **EVF1152S64FWLB | F.01U.272.940**

EVF1152S64PIBLB 15" 60x40 weatherized black

EVF 15" / 2-way Full-range Systems; SMX woofer & ND2B driver (500 W cont.); 60° x 40°, EVCoat, PI-weatherized, black
Order number **EVF1152S64PIBLB | F.01U.272.524**

EVF1152S64PIBE 15" 60x40 weatherized black

EVF 15" / 2-way Full-range Systems; SMX woofer & ND2B driver (500 W cont.); 60° x 40°, EVCoat, PI-weatherized, black
Order number **EVF1152S64PIBE | F.01U.206.187**

EVF1152S64PIWLB 15" 60x40 weatherized white

EVF 15" / 2-way Full-range Systems; SMX woofer & ND2B driver (500 W cont.); 60° x 40°, EVCoat, PI-weatherized, white
Order number **EVF1152S64PIWLB | F.01U.272.525**

EVF-1152S/64-PIW

EVF 15" / 2-way Full-range Systems; SMX woofer & ND2B driver (500 W cont.); 60° x 40°, EVCoat, PI-weatherized, white
Order number **EVF1152S64PIWE | F.01U.206.188**

EVF1152S64WHTLB 15" 60x40 indoor white

EVF 15" / 2-way Full-range Systems; SMX woofer & ND2B driver (500 W cont.); 60° x 40°, EVCoat, white
Order number **EVF1152S64WHTLB | F.01U.272.523**

Accessories

CDNL4-LB Input panel cover plate, dual NL4 type

Dual NL4 cover kit for EVA, EVC, EVF & EVH, black

Order number **CDNL4-LB | F.01U.283.495**

CSG-LB Input panel cover plate single gland nut

Single gland nut cover kit for EVA, EVC, EVF & EVH, black

Order number **CSG-LB | F.01U.283.496**

CDG-LB Input panel cover plate, dual gland nut

Dual gland nut cover kit for EVA, EVC, EVF & EVH

Order number **CDG-LB | F.01U.283.497**

TK-150 70/100 Volt transformer kit

Transformer kit for EVC, EVF, and EVH, 150W/70V

Order number **TK-150 | F.01U.132.318**

HRK-1B-LB Horizontal rigging kit black, EVF + EVF

Horizontal rigging kit for EVF, black

Order number **HRK-1B-LB | F.01U.283.502**

HRK-1W-LB Horizontal rigging kit white, EVF + EVF

Horizontal rigging kit for EVF, white

Order number **HRK-1W-LB | F.01U.283.503**

HRK-2B-LB Horizontal rigging kit black, EVF + EVH

Horizontal rigging kit for EVF & EVH full-range to EVF sub,
black

Order number **HRK-2B-LB | F.01U.283.504**

HRK-2W-LB Horizontal rigging kit white, EVF + EVH

Horizontal rigging kit for EVF & EVH full-range to EVF sub,
white

Order number **HRK-2W-LB | F.01U.283.505**

VRK-1B-LB Vertical rigging kit black, EVF + EVF

Vertical rigging kit for EVF, black

Order number **VRK-1B-LB | F.01U.283.506**

VRK-1W-LB Vertical rigging kit white, EVF + EVF

Vertical rigging kit for EVF, white

Order number **VRK-1W-LB | F.01U.283.507**

VRK-2B-LB Vertical rigging kit black, EVF + EVH

Vertical rigging kit for EVF & EVH full-range to EVF subs,
black

Order number **VRK-2B-LB | F.01U.283.508**

VRK-2W-LB Vertical rigging kit white, EVF + EVH

Vertical rigging kit for EVF & EVH full-range to EVF subs,
white

Order number **VRK-2W-LB | F.01U.283.509**

EVF-UB-BLK-LB U-bracket for all EVF speakers black

Mounting bracket for EVF, black

Order number **EVF-UB-BLK-LB | F.01U.283.510**

EVF-UB-WHT-LB U-bracket for all EVF speakers white

Mounting bracket for EVF, white

Order number **EVF-UB-WHT-LB | F.01U.283.511**

Represented by:

Germany:

Bosch Sicherheitssysteme GmbH
Robert-Bosch-Ring 5
85630 Grasbrunn
Germany
www.electrovoice.com

Bosch Security Systems, LLC
12000 Portland Avenue South
Burnsville MN 55337
USA