

**Warning!**

Suspending any object is potentially dangerous and should only be attempted by individuals who have a thorough knowledge of the techniques and regulations of suspending objects overhead. Electro-Voice strongly recommends all loudspeakers be suspended taking into account all current national, federal, state, and local laws and regulations. It is the responsibility of the installer to ensure all loudspeakers are safely installed in accordance with all such requirements. When loudspeakers are suspended, Electro-Voice strongly recommends the system be inspected at least once per year or as laws and regulations require. If any sign of weakness or damage is detected, remedial action should be taken immediately. The user is responsible for making sure the wall, ceiling, or structure is capable of supporting all objects suspended overhead. Any hardware used to suspend a loudspeaker not associated with Electro-Voice is the responsibility of others.

**Caution!**

It is the installer's responsibility to determine and use the proper mounting hardware for the wall construction type.

Disregarding this caution could result in damage to the product and personal injuries may occur.

Copyright and disclaimer

All rights reserved. No part of this document may be reproduced or transmitted in any form by any means, electronic, mechanical, photocopying, recording, or otherwise, without the prior written permission of the publisher. For information on getting permission for reprints and excerpts, contact Bosch Security Systems, Inc. The content and illustrations are subject to change without prior notice.

Redundant safety point

As an added safety measure, it is suggested the user install an extra suspension point back to the building structural supports. This redundant safety point should have as little slack as possible (less than 1-inch is preferable).

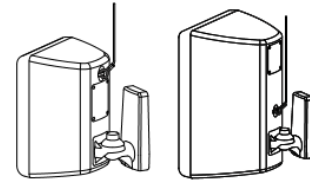
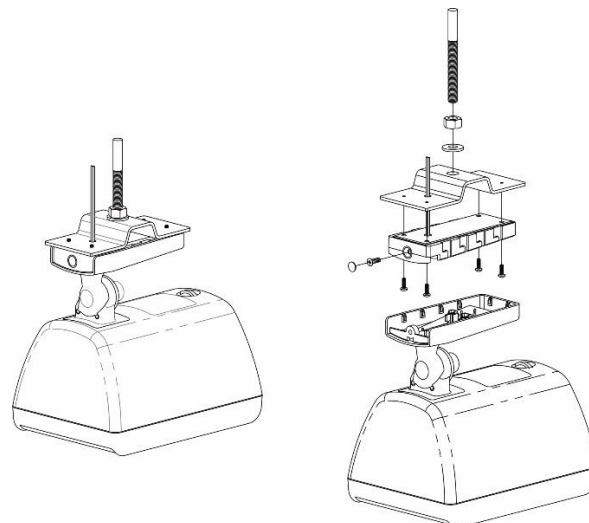


Figure 1: Redundant safety point - 5" (left), 8" (right)

SMS-TR-5: Threaded rod adapter for 5" pair**Threaded rod installation options**

The threaded rod adapter is compatible with the standard 5.25" model, with and without transformer, and it can be mounted to a rod with a 7/16"-20 thread.

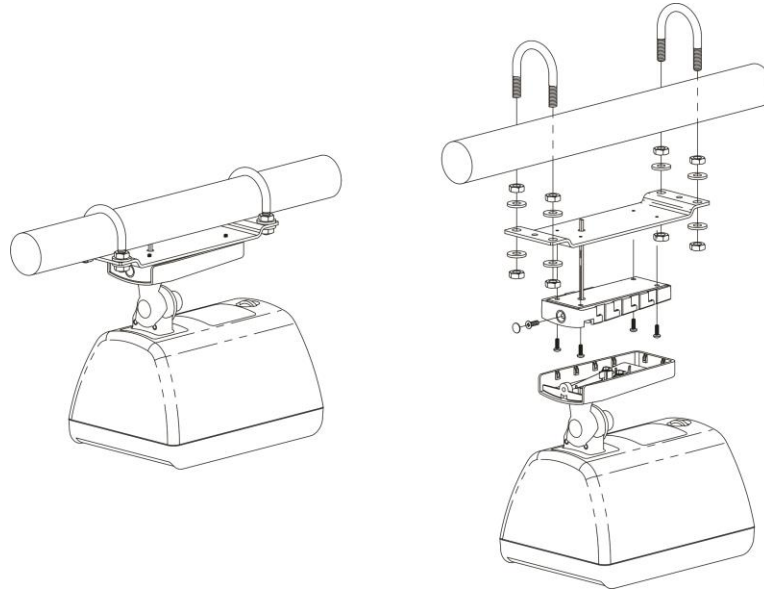


SMS-UB-58: U-bolt adapter for 5", 8" pair

U-Bolt installation options

The U-Bolt adapter is compatible with the standard 5.25" and 8" models, with and without transformers, and it can be mounted using a 2-inch U-Bolt with a 3/8"-16 thread.

- **Mounting to a pipe**



- **Mounting to a steel truss**

