

RE3-ACC-RFAMP Active RF antenna booster, 470-960MHz

- 10dB RF booster amp module
- Powered by RE3-RX or AASP 12v DC booster feed power
- Mounts on supplied installation flange or on microphone stand
- Passes booster feed thru for cascading up to two modules
- Effectively remote-mounts stock ½ wave receiver antenna



RFAMP is a 10dB RF amplifier module designed to function as an at-antenna RF amplifier to compensate for signal loss prior to a coax run, as well as an effective means of remote mounting the RE3-RX stock ½ wave receiver antenna when desired. RFAMP requires 12v DC booster power which is supplied at the antenna jacks of either the RE3-RX receiver, or the AASP active antenna splitter.



Notice!

The connected power source must have its booster feed set to on.

RFAMP can be mounted either to the supplied flange mount for installation deployments, or simply attached to a standard 5/8" x 27 threaded microphone stand. RFAMP passes the 12v DC booster thru, so two modules can be used inline, or one RFAMP can be combined with the ALPA active log periodic antenna.

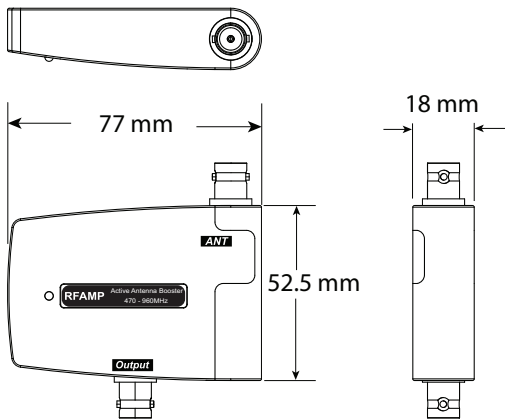
Technical specifications

Carrier frequency: 470 - 960 MHz

RF connectors: BNC

| | |
|----------------------|------------------------------------|
| Antenna gain: | 1.8dBi |
| Booster gain: | 10dB (±2dB) |
| Coverage angle: | 360 degrees |
| Operating voltage: | +8 to +12v DC |
| Usage: | Indoor or outdoor (not waterproof) |
| Dimensions (length): | 3.03" (77mm) |
| Dimensions (height): | 2.07" (52.5mm) |
| Dimensions (depth): | 0.7" (18mm) |
| Finish: | Polyurethane paint, black |
| Net weight: | 6.95 oz. (197 g) |
| Gross weight: | 9.17 oz. (260 g) |

Dimensions:



Licensing and certification declarations:

FCC Supplier's Declaration of Conformity
47 CFR, Section 2.1077 Compliance Information

Product Identifier:

Electro-Voice:
RE3 Wireless Receiver, AASP Active Antenna Splitter, ALPA Active Log
Periodic Antenna, RFAMP Antenna Booster, BC2 Battery Charger

Responsible Party – U.S. Contact Information

Bosch Security Systems, Inc.
130 Perinton Parkway
Fairport, NY 14450
USA
Tel: +1 (585) 223-4060

FCC Compliance Statement

This device complies with Part 15 of the FCC Rules. Operation is subject to the following two conditions: (1) This device may not be cause harmful interference, and (2) this device must accept any interference received, including interference that may cause undesired operation.

IC: This Class B digital apparatus complies with Canadian ICES-003. Cet appareil numérique de la classe B est conforme à la norme NMB-003 du Canada. This device complies with Industry Canada license-exempt RSS standard(s). Operation is subject to the following two conditions:

- (1) This device may not cause interference, and
- (2) This device must accept any interference, including interference that may cause undesired operation of the device.

Le présent appareil est conforme aux CNR d'Industrie Canada applicables aux appareils radio exempts de licence. L'exploitation est autorisée aux deux conditions suivantes :

- (1) l'appareil ne doit pas produire de brouillage, et
- (2) l'utilisateur de l'appareil doit accepter tout brouillage radioélectrique subi, même si le brouillage est susceptible d'en compromettre le fonctionnement.

CE and EU: The CE Declaration of Conformity can be obtained and downloaded from:
www.electrovoice.com

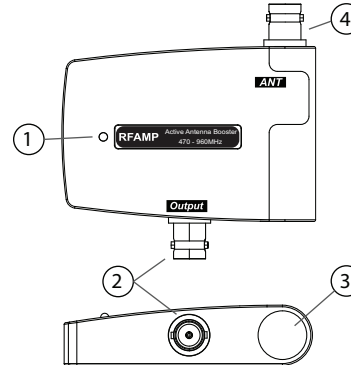
This Equipment is in compliance with CE requirements and the following directives:

- 2011/65/EU RoHS Directive
- 2012/19/EU WEEE Directive
- 2014/53/EU RED Directive

AU and NZ: This device is in compliance with Cispr32.

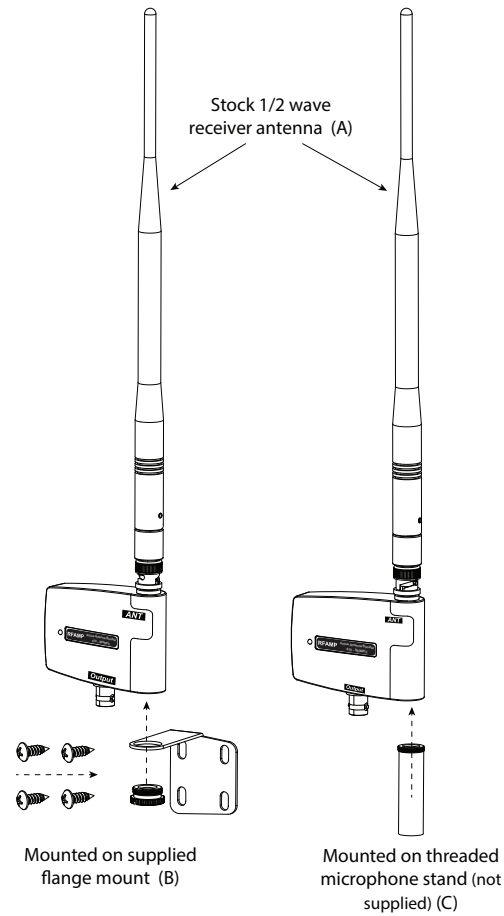
Installation/configuration notes

Product identification:



1. Power indicator LED. The LED is red when the booster feed is on.
2. RF output BNC jack sending antenna signal to receiver. This must be connected to receiver or splitter antenna input. This jack also receives the 12v DC booster feed from receiver or splitter.
3. 5/8" x 27 threaded socket. Accepts threaded stud of the supplied flange mount, or a standard 5/8" x 27 thread microphone stand. See Mounting the RF amplifier module
4. RF input BNC jack. The antenna connects here. This can be either stock RE3-RX 1/2 wave whip antenna, or 50 ohm coax cable leading to ALPA or PLPA log periodic antennas.

Mounting the RF amplifier module



- A Stock 1/2 wave receiver antenna
- B Mounted on supplied flange mount
- C Mounted on threaded microphone stand (not supplied)

Compatible products

| Order number | Description |
|--------------|--|
| RE3-ACC-RMK1 | Rack mount kit for single RE3 receiver |
| RE3-ACC-RMK2 | Rack mount kit for two RE3 receivers |

| Order number | Description |
|----------------|--|
| RE3-ACC-CXUF | Rear to front mount antenna cable kit |
| RE3-ACC-PLPA | Passive log periodic antenna, 470-960MHz |
| RE3-ACC-ALPA | Active log periodic antenna, 470-960MHz |
| RE3-ACC-AASP | 2-in x 8-out antenna splitter 470-960MHz |
| RE3-ACC-PASP | 1 x 2 passive antenna splitter kit |
| RE3-ACC-CXU2 | 2 foot antenna coax cable (pair) |
| RE3-ACC-CXU10 | 10 foot, 50 ohm BNC coax cable (pair) |
| RE3-ACC-CXU25 | 25 foot, 50 ohm low loss BNC coax cable |
| RE3-ACC-CXU50 | 50 foot, 50 ohm low loss BNC coax cable |
| RE3-ACC-CXU75 | 75 foot, 50 ohm low loss BNC coax cable |
| RE3-ACC-CXU100 | 100 foot, 50 ohm low loss BNC coax cable |

Parts included

| Quantity | Component |
|----------|---|
| 1 | RF amplifier module |
| 1 | Flange mount |
| 1 | Threaded flange mount stud |
| 4 | Mounting screws |
| 1 | Engineering datasheet |
| 1 | Warranty and product documentation information card |

Ordering information

RE3-ACC-RFAMP Active RF antenna booster, 470-960MHz

Active RF antenna booster module with BNC in and out; 470-960MHz, black
Order number **RE3-ACC-RFAMP**

4 | RE3-ACC-RFAMP Active RF antenna booster, 470-960MHz

Represented by:

Germany:
Bosch Sicherheitssysteme GmbH
Robert-Bosch-Ring 5
85630 Grasbrunn
Germany

Bosch Security Systems, Inc.
12000 Portland Avenue South
Burnsville MN 55337
USA

www.electrovoice.com