

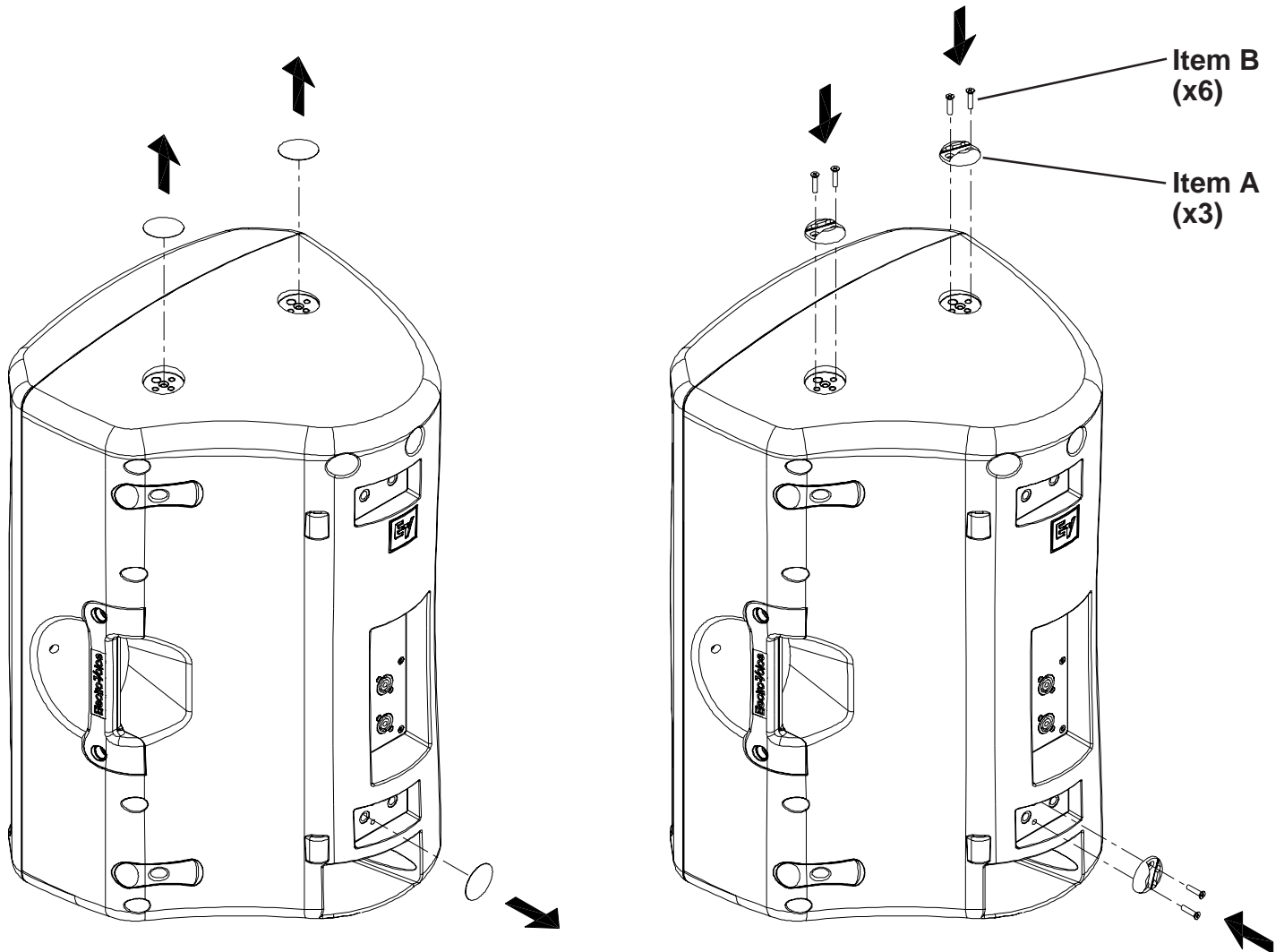
ZX4/ZX5

RK-Z Anchor Plate Mounting Kit Installation Instructions



RK-Z Anchor Plate Mounting Kit

The RK-Z Anchor Plate Kit features 3-point rigging hardware that allows for a Zx4 loudspeaker to be flown to obtain the desired sound coverage. The kit can also be used with a Zx5 loudspeaker to upgrade to a 5-point rigging system for arrays.

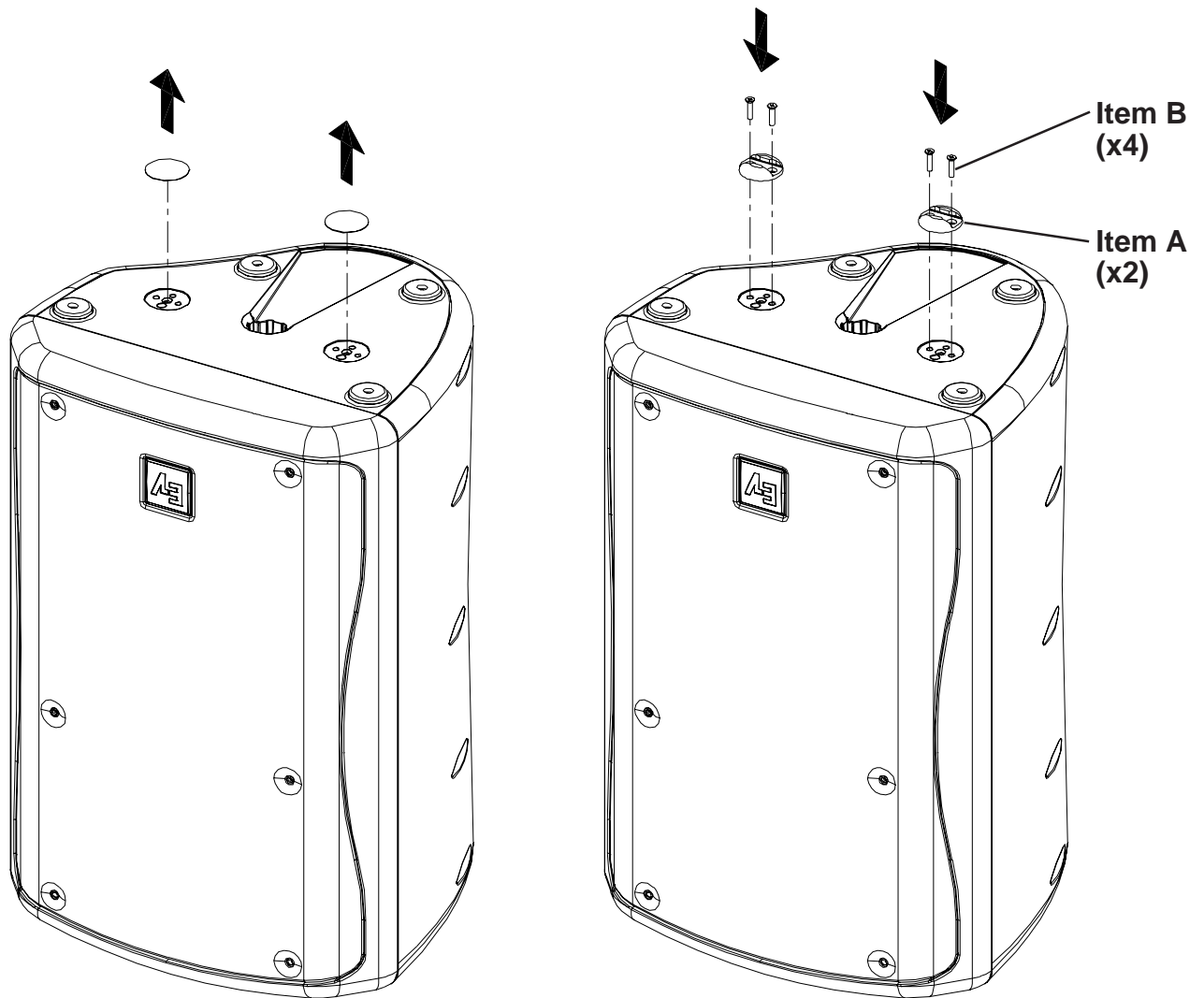


Zx4 Step 1: Remove Decals

Remove the two anchor plate covers on top of the Zx4 enclosure and the single anchor plate cover on the rear of the enclosure.

Zx4 Step 2: Mounting the Anchor Plates

Attach the three anchor plates (Item A) to the enclosure using the supplied screws (Item B).



Zx5 Step 1: Remove Decals

Remove the two anchor plate covers on bottom of the Zx5 enclosure.

Zx5 Step 2: Mounting the Anchor Plates

Attach the two anchor plates (Item A) to the enclosure using the supplied screws (Item B). One anchor plate and two screws will remain unused.



WARNING: Suspending any object is potentially dangerous and should only be attempted by individuals who have a thorough knowledge of the techniques and regulations of rigging objects overhead. Electro-Voice® strongly recommends that Zx4 and Zx5 speakers be suspended taking into account all current national, federal, state and local regulations. It is the responsibility of the installer to ensure that Zx4 and Zx5 speakers are safely installed in accordance with all such regulations. If Zx4 or Zx5 speakers are suspended, Electro-Voice® strongly recommends that the system be inspected at least once a year. If any sign of weakness or damage is detected, remedial action should be taken immediately.

EV Electro-Voice®

12000 Portland Avenue South, Burnsville, MN 55337
Phone: 952/884-4051, Fax: 952/884-0043

www.electrovoice.com

© Telex Communications, Inc. 1/2005

Part Number 38110-434 Rev A

U.S.A. and Canada only. For customer orders, contact the Customer Service department at **800/392-3497 Fax: 800/955-6831**

Europe, Africa and Middle East only. For customer orders, contact the Customer Service department at **49 9421-706 0 Fax: 49 9421-706 265**

For warranty information, contact the Service Repair department at **616/695-6831 or 800/685-2606**

For technical assistance, contact Technical Support at **866/78AUDIO**

Specifications subject to change without notice.