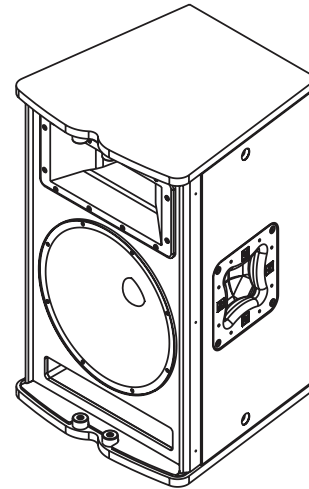


TX1122 12" 2-Way Passive Loudspeaker



- DH3 1.25 inch (32 mm) Diaphragm, 1 inch (25 mm) Exit Pure Titanium Compression Driver
- SMX2120 12 inch (305 mm) LF Transducer with Fully Symmetric Drive
- 97 dB Sensitivity, 130 dB Maximum SPL
- 500 W Continuous (2000 W Peak) Power Handling
- Six (6) M10 Threaded Points for Suspension



The TX1122 from Electro-Voice is a high power, 2-way loudspeaker system that can be used in a variety of applications where high quality sound reinforcement is required in a lightweight package. The TX1122 utilizes the DH3, a high output 1.25 inch titanium compression driver, coupled to a Constant Directivity 90° x 50° horn. This combination results in a smooth response to 20 kHz and excellent pattern control in short to medium throw applications. The SMX2120 12 inch woofer has an FEA optimized magnet structure for very low distortion and maximum intelligibility at high SPL levels. The crossover uses steep 24 dB/octave slopes with equalization for very smooth response in vocal range, extended HF, and a protection circuit for long term reliability. The TX1122 has a variety of features that make it equally suited for portable or fixed installation applications. The trapezoidal enclosure is constructed out of a combination of plywood and MDF, and coated with EVCoat for maximum strength while still remaining lightweight. The unique grille design is very strong, dent resistant, and features a rotatable logo. Four way handles allow for gripping the TX1122 in a variety of positions, a pole mount allows for placement on a subwoofer or a tripod. Six (6) M10 threaded points allow a single TX1122 to be suspended in a various positions. The recessed input panel with dual NL4 connectors keeps the connectors hidden while allowing the TX1122 to be used with the TX1181 subwoofer for extended sub bass on a single amplifier channel, with no additional processing needed.

Parts included

Quantity	Component
1	Loudspeaker
1	User manual

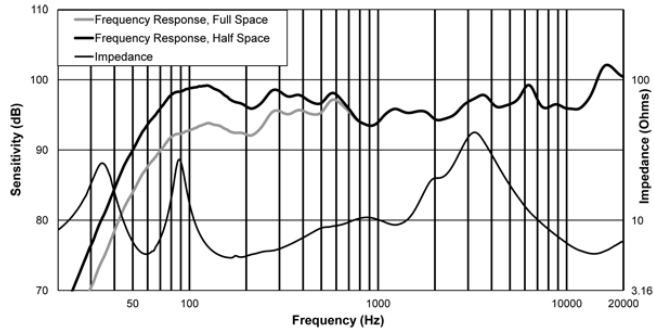
Technical specifications

Frequency response (-3 dB) ¹ : 60 Hz - 20 kHz
Frequency range (-10 dB) ¹ : 45 Hz - 20 kHz
Recommended high-pass frequency: 45 Hz
Axial sensitivity: 97 dB (1W/1m)
Max calculated SPL: 130 dB
Horizontal coverage: 90°
Vertical coverage: 50°
Power handling: 500 W continuous, 2000 W peak
LF transducer: SMX2120, 12 in (305 mm) driver
HF transducer: DH3, 1.25 in (32 mm) diaphragm compression driver
Crossover Frequency: 1750 Hz
Nominal impedance: 8 Ohm
Minimum impedance: 5.4 Ohm
Connectors: (2) Neutrik Speakon NL4's
Enclosure: Plywood and MDF with EVCoat
Grille: 16 GA steel, black powdercoat, with rotatable logo

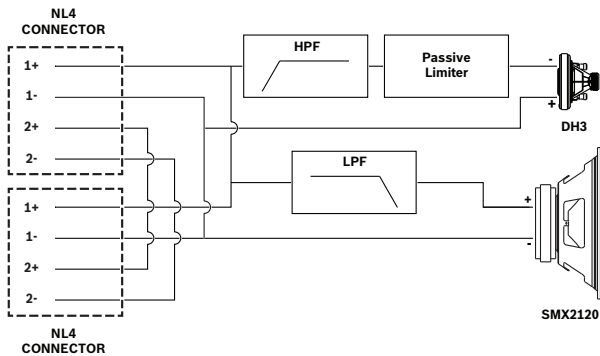
Suspension:	(6) M10 threaded points - (2) on each side and (2) on the rear of enclosure
Color:	Black
Dimensions (H x W x D):	24.3 in x 15.0 in x 15.0 in (616 mm x 382 mm x 380 mm)
Net weight:	44.5 lb (20.2 kg)
Shipping weight:	50.0 lb (22.7 kg)

¹Half-space measurement.

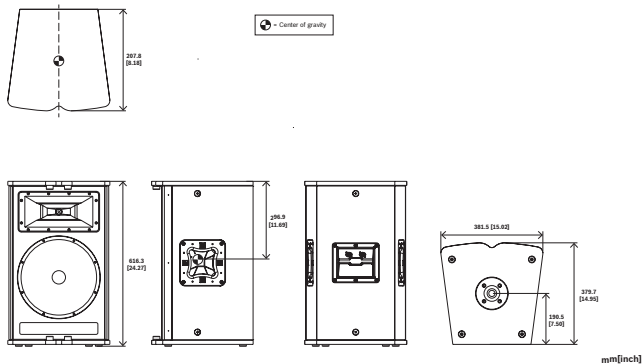
Frequency response and impedance:



Block diagram:



Dimensions:



Compatible System Solutions:

TX1181 18" passive subwoofer, black

Represented by:

Germany:
 Bosch Sicherheitssysteme GmbH
 Robert-Bosch-Ring 5
 85630 Grasbrunn
 Germany
 www.electrovoice.com

Bosch Security Systems, LLC
 12000 Portland Avenue South
 Burnsville MN 55337
 USA

Compatible System Solutions:

- Q99 Power amplifier, 2 x 900 W
- DC-One 120 V Digital loudspeaker controller

i Notice

This Electro-Voice loudspeaker should be suspended overhead only in accordance with the procedures and limitations specified in the User's Manual. This system should be suspended with certified rigging hardware by an authorized rigging professional and in compliance with local, state, and federal overhead suspension ordinances.

Ordering information

TX1122_HE 12" 2-way passive speaker, black
 1 x 12" 2-way Full-range, 97 dB, 500 W cont., black
 Order number **TX1122_HE | F.01U.302.272**

EV-TX1122 12" 2-way passive speaker black
 1 x 12" 2-way Full-range, 97 dB, 500 W cont., black
 Order number **EV-TX1122 | F.01U.135.403**

Accessories

TSS-1 EV Tripod stand, single tripod stand
 EV tripod stand, single tripod stand
 Order number **TSS-1 | F.01U.144.916**

TSP-1 EV Tripod stand package
 Set of 2 speaker stands and carry bag; black
 Order number **TSP-1 | F.01U.117.867**

EBK-1-LB Eyebolt kit
 3/8-inch forged eyebolt kit (set of 3)
 Order number **EBK-1-LB | F.01U.283.548**

EBK-3-LB Forged M8 3 pack eyebolt kit
 Forged M8 eyebolt kit (set of 3)
 Order number **EBK-3-LB | F.01U.283.546**