

2 | TX1122 TOURX BLACK 1 X 1, 2-WAY 500W

Connectors:	(2) Neutrik Speakon NL4's
Enclosure:	Plywood and MDF with EVCoat
Grille:	16 GA steel, black powdercoat, with rotatable logo
Suspension:	(6) M8 or (6) 3/8-inch threaded points - (2) on each side and (2) on the rear of enclosure
Color:	Black
Dimensions (H x W x D):	24.3 in x 15.0 in x 15.0 in (616 mm x 382 mm x 380 mm)
Net weight:	44.5 lb (20.2 kg)
Shipping weight:	50.0 lb (22.7 kg)

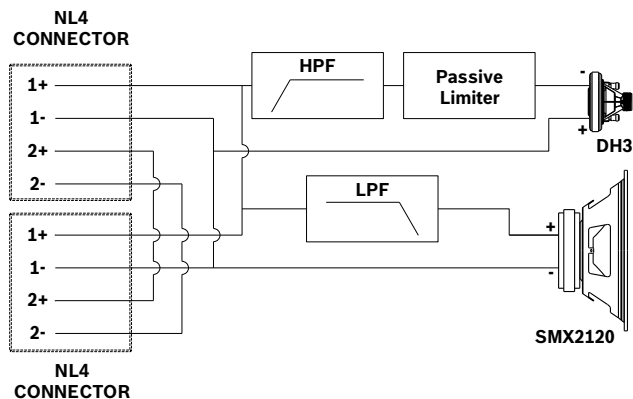
¹Half-space measurement.

Caution!

This Electro-Voice loudspeaker should be suspended overhead only in accordance with the procedures and limitations specified in the User's Manual. This system should be suspended with certified rigging hardware by an authorized rigging professional and in compliance with local, state, and federal overhead suspension ordinances.



Block diagram:



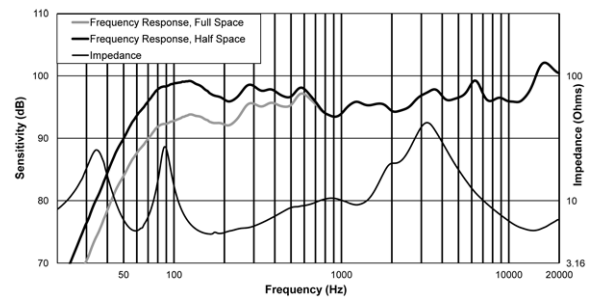
Compatible System Solutions:

TX1181 single 18-inch sub, black

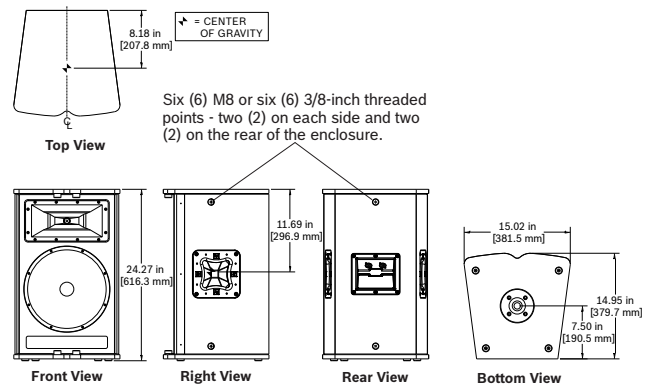
Q99 power amplifier, 2 x 900 W @ 4 Ω, 2U, 120 V

DC-One 120 V digital loudspeaker controller

Frequency response and impedance:



Dimensions:



Ordering information

TX1122_HE TX1122, TOURX, BLACK 1 X 12, 2-WAY, 500W

1 x 12" 2-way Full-range, 97 dB, 500 W cont., black
Order number **TX1122_HE**

EV-TX1122 TX1122

1 x 12" 2-way Full-range, 97 dB, 500 W cont., black
Order number **EV-TX1122**

Accessories

TSS-1 EV TRIPOD STAND, SINGLE TRIPOD STAND

EV tripod stand, single tripod stand
Order number **TSS-1**

TSP-1 EV TRIPOD STAND PACKAGE

Set of 2 speaker stands and carry bag; black
Order number **TSP-1**

EBK-1-LB EBK-1, EYEBOLT KIT

3/8-inch forged eyebolt kit (set of 3)
Order number **EBK-1-LB**

EBK-3-LB EBK-3, FORGED M8 EYE BOLT KIT (SET OF 3)

Forged M8 eyebolt kit (set of 3)
Order number **EBK-3-LB**

Represented by:

Germany:

Bosch Sicherheitssysteme GmbH
Robert-Bosch-Ring 5
85630 Grasbrunn
Germany

Bosch Security Systems, Inc.
12000 Portland Avenue South
Burnsville MN 55337
USA

www.electrovoice.com