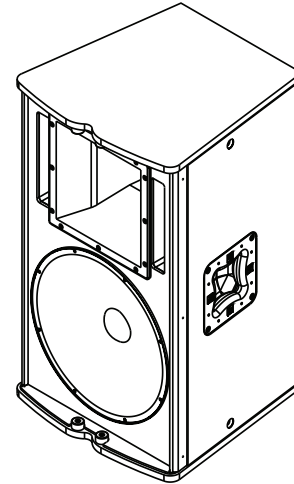


TX1152 15" 2-Way Passive Loudspeaker



Electro-Voice

- DH3 1.25 inch (32 mm) Diaphragm, 1 inch (25 mm) Exit Pure Titanium Compression Driver
- SMX2151 15 inch (381 mm) LF Transducer with Fully Symmetric Drive
- 60° x 40° Rotatable Coverage Pattern
- 100 dB Sensitivity, 133 dB Maximum SPL
- 500 W Continuous (2000 W Peak) Power Handling



The TX1152 from Electro-Voice is a high power, high sensitivity, 2-way loudspeaker system that can be used in a variety of applications where high quality sound reinforcement is required in a lightweight package. The TX1152 utilizes the DH3, a high output 1.25 inch titanium compression driver, coupled to a Constant Directivity 60° x 40° horn. This combination results in a smooth response to 20 kHz and excellent pattern control in medium throw applications.

The SMX2151 15 inch woofer has an FEA optimized magnet structure and a shorting ring for ultra low distortion and maximum intelligibility at high SPL levels. The crossover uses steep 24 dB/octave slopes with equalization for very smooth response in vocal range, extended HF, and a protection circuit for long term reliability.

The TX1152 has a variety of features that make it equally suited for portable or fixed installation applications. The trapezoidal enclosure is constructed out of a combination of plywood and MDF, and coated with EVCoat for maximum strength while still remaining lightweight. The unique grille design is very strong, dent resistant, and features a rotatable logo. Four way handles allow for gripping the TX1152 in a variety of positions, a pole mount allows for placement on a subwoofer or a tripod. Six (6) M10 threaded points allow a single TX1152 to be suspended in a various positions. The recessed input panel with dual NL4 connector panel keeps the connectors hidden while allowing the TX1152 to be used with the TX1181 subwoofer for extended sub bass on a single amplifier channel, with no additional processing needed.

Parts included

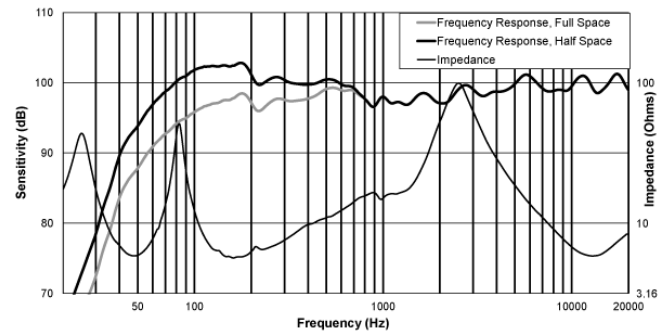
Quantity	Component
1	Loudspeaker
1	User manual

Technical specifications

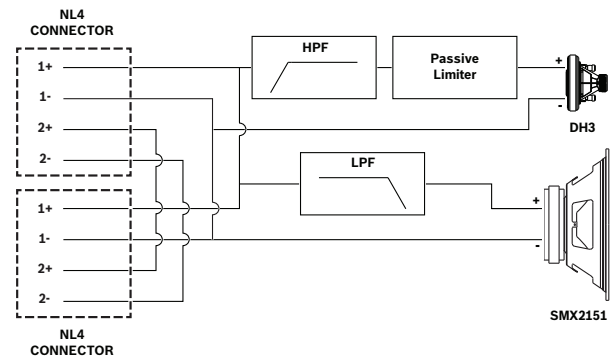
Frequency response (-3 dB):	55 Hz - 20 kHz ¹
Frequency range (-10 dB):	40 Hz - 20 kHz ¹
Recommended high-pass frequency:	40 Hz
Axial sensitivity:	100 dB (1W/1m)
Max calculated SPL:	133 dB
Horizontal coverage:	60° or 40°
Vertical coverage:	40° or 60°
Power handling:	500 W continuous, 2000 W peak
LF transducer:	SMX2151, 15 in (381 mm) driver
HF transducer:	DH3, 1.25 in (32 mm) diaphragm compression driver
Crossover frequency:	1650 Hz
Nominal impedance:	8 Ohm
Minimum impedance:	5.6 Ohm
Connectors:	(2) Neutrik Speakon NL4's
Enclosure:	Plywood and MDF with EVCoat
Grille:	16 GA steel, black powdercoat, with rotatable logo
Suspension:	(6) M10 threaded points - (2) on each side and (2) on the rear of enclosure
Color:	Black
Dimensions (H x W x D):	30.6 in x 17.5 in x 17.5 in (776 mm x 446 mm x 446 mm)
Net weight:	61.2 lb (27.8 kg)
Shipping weight:	68.7 lb (31.2 kg)

¹Half space measurement

Frequency response and impedance:



Block diagram:



Notice

This Electro-Voice loudspeaker should be suspended overhead only in accordance with the procedures and limitations specified. This system should be suspended with certified rigging hardware by an authorized rigging professional and in complete compliance with local, state, and federal overhead suspension ordinances.

Compatible System Solutions:

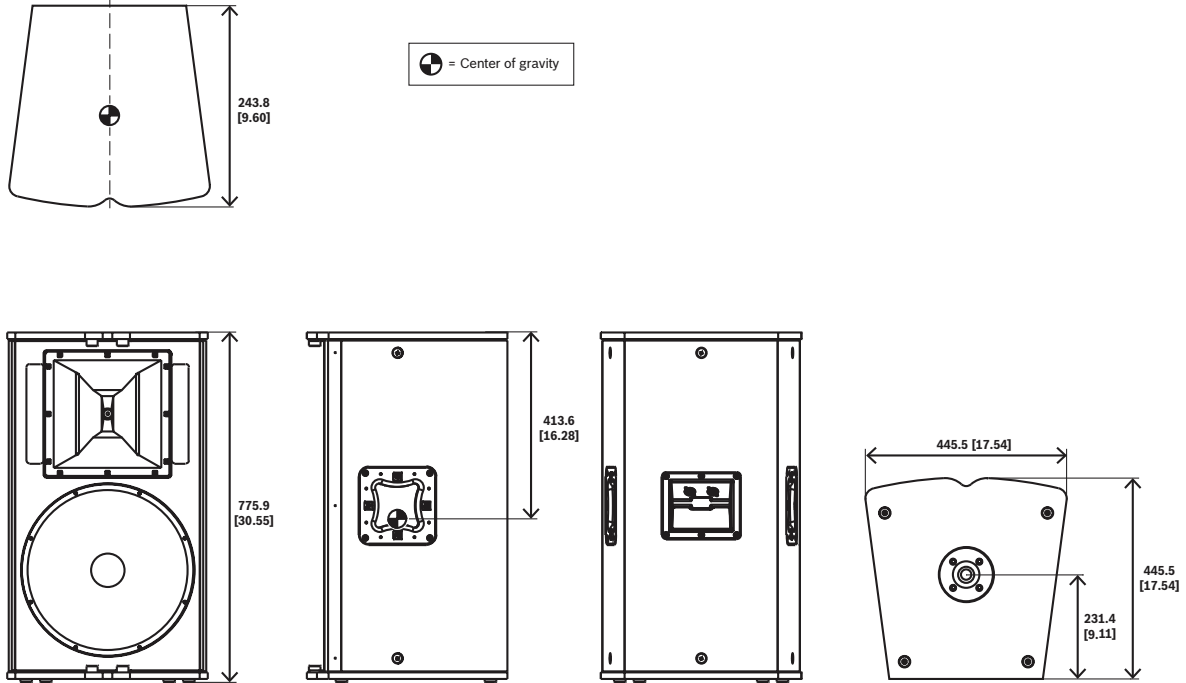
TX1181 18" passive subwoofer, black

TX2181 Dual 18" passive subwoofer, black

Dynacord L3600FD DSP power amplifier 2 x 1800 W

Dynacord C3600FDi DSP power amplifier 2 x 1800 W, install

Dimensions:



mm[inch]

Ordering information

TX1152_HE 15" 2-way passive speaker, black
 Single 15-inch 2-way full-range, 100 dB, 500 W cont., black
 Order number **TX1152_HE | F.01U.302.273**

TSP-1 EV Tripod stand package
 Set of 2 speaker stands and carry bag, black
 Order number **TSP-1 | F.01U.117.867**

TSS-1 EV Tripod stand, single tripod stand
 EV tripod stand, single tripod stand
 Order number **TSS-1 | F.01U.144.916**

EBK-M10-3PACK Forged M10 3 pack eyebolt kit
 Forged M10 eyebolt kit, set of 3
 Order number **EBK-M10-3PACK | F.01U.301.455**

EBK-M10-4PACK EBK-M10-4PACK Eyebolt Kit
 Forged M10 eyebolt kit, set of 4
 Order number **EBK-M10-4PACK | F.01U.346.745**

Represented by:

Germany:
 Bosch Sicherheitssysteme GmbH
 Robert-Bosch-Ring 5
 85630 Grasbrunn
 Germany
 www.electrovoice.com

Bosch Security Systems, LLC
 12000 Portland Avenue South
 Burnsville MN 55337
 USA