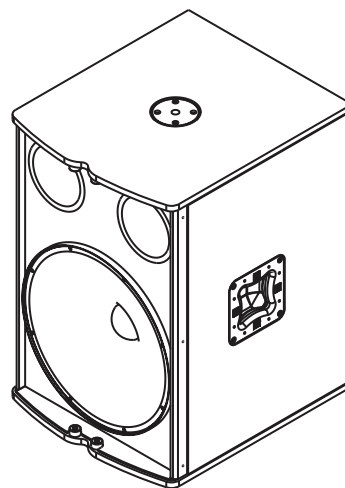


# TX1181 18" Passive Subwoofer



- EVS-18s 18" (457 mm) LF Transducer
- 100 dB Sensitivity, 132 dB Maximum SPL
- Integrated Low Pass Filter with 6 dB/Octave Slope
- 500 W Continuous (2000 W Peak) Power Handling
- Mounting Points to Attach Optional TX-W1 Wheel Kit



The Electro-Voice TX1181 is a high power subwoofer that can be used to extend the low frequency performance of the TX1122 and TX1152 loudspeaker systems.

The TX1181 uses the EVS-18S, a high excursion 18" woofer, coupled to well braced enclosure with large, low distortion ports, to add high impact bass response to any full-range loudspeaker. An integrated low pass filter allows the TX1181 to be connected in parallel with a TX1122 or TX1152 on a single amplifier channel, eliminating the need for additional amplifier channels and processing.

The TX1181 has many features that make it a versatile subwoofer system. The enclosure is constructed out of a combination of MDF and plywood, and coated with EVCoat™ for maximum strength and durability. The unique grille design is very strong, dent resistant, and features a rotatable logo. Four way handles allow for gripping the TX1181 in a variety of positions. The recessed input panel with dual NL4 connectors keeps the connectors hidden and allows for closer placement to a wall or other boundary. An integrated pole mount allows for elevating a TX1122 or TX1152, and integrated mounting points on the rear of the enclosure allow the optional TX-W1 wheel kit to be attached for easy portability.

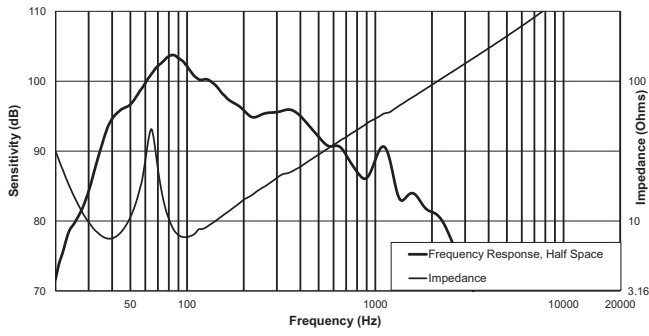
## Parts included

Quantity	Component
1	Subwoofer
1	User manual

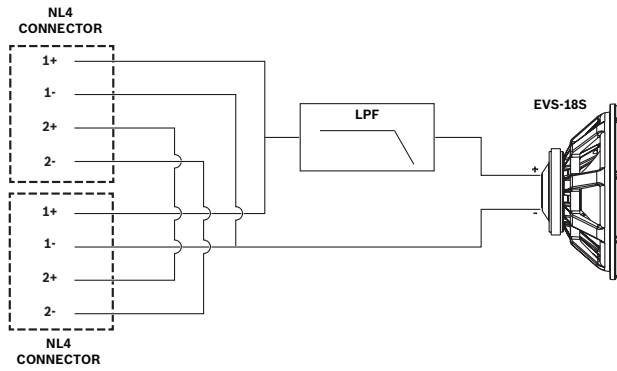
## Technical specifications

Frequency response (-3 dB):	50 Hz - 160 Hz
Frequency range (-10 dB):	45 Hz - 700 Hz
Rec. hipass frequency:	30 Hz
Axial sensitivity:	100 dB (1W/1m)
Max. calculated SPL:	132 dB
Horizontal coverage:	Omnidirectional
Vertical coverage:	Omnidirectional
Power handling:	500 W continuous, 2000 W peak
LF transducer:	EVS-18S, 18 in (457 mm) driver
Nominal impedance:	8 Ohm
Minimum impedance:	7.5 Ohm
Connectors:	(2) Neutrik Speakon NL4's
Enclosure material:	Plywood and MDF with EVCoat
Grille:	16 GA steel, black powdercoat, with rotatable logo
Color:	Black
Dimensions (H x W x D):	30.3 in x 20.0 in x 23.3 in (769 mm x 508 mm x 591 mm)
Net weight:	74.5 lb (33.8 kg)
Shipping weight:	88.0 lb (40.0 kg)

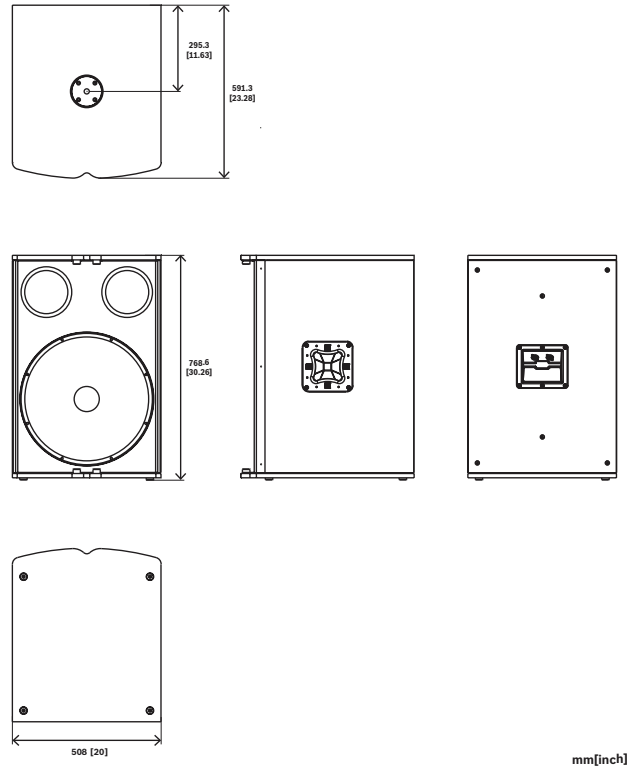
**Frequency response and impedance:**



**Block diagram:**



**Dimensions:**



**Compatible System Solutions:**

TX1122 12" 2-way passive speaker, black

TX1152 15" 2-way passive speaker, black

Q99 Power amplifier 2 x 900 W

DC-One 120 V Digital loudspeaker controller

**Ordering information**

**EV-TX1181 18" passive subwoofer black**  
 1 x 18" subwoofer, 100 dB, 500 W cont., black  
 Order number **EV-TX1181** | **F.01U.135.405**

**TX1181\_HE 18" passive subwoofer, black**  
 1 x 18" subwoofer, 100 dB, 500 W cont., black  
 Order number **TX1181\_HE** | **F.01U.302.275**

**Represented by:**

**Germany:**  
 Bosch Sicherheitssysteme GmbH  
 Robert-Bosch-Ring 5  
 85630 Grasbrunn  
 Germany  
 www.electrovoice.com

Bosch Security Systems, LLC  
 12000 Portland Avenue South  
 Burnsville MN 55337  
 USA