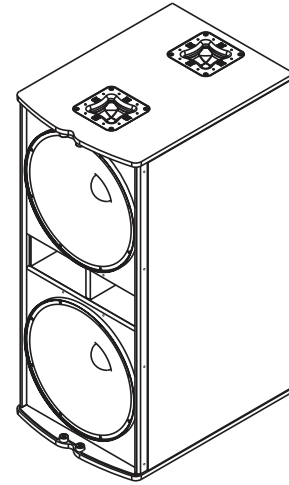


TX2181 Dual 18" Passive Subwoofer



Electro-Voice

- Dual EVS-18S 18" (457 mm) LF Transducers
- 103 dB Sensitivity, 138 dB Maximum SPL
- 1000W Continuous (4000W Peak) Power Handling
- Four Integrated Handles for Easy Portability



The Electro-Voice TX2181 is a dual subwoofer system that is designed to add high-output, high-impact bass response to the TX2152 loudspeaker system. The TX2181 can move tremendous amounts of air, thanks to dual EVS-18S high excursion woofers, a well braced enclosure, and a low distortion port design. The EVS-18S woofers feature 4-layer voice coils and cast frames for high power handling and maximum durability. The TX2181 is designed to be used with a processor and a dedicated amplifier channel in a biamp configuration.

The TX2181 has many features that make it a versatile subwoofer system. The enclosure is constructed out of a combination of MDF and plywood, and coated with EVCoat™ for maximum strength and durability. The unique grille design is very strong, dent resistant, and features a rotatable logo. Four way handles allow for gripping the TX2181 in a variety of positions. The recessed input panel with dual NL4 connectors keeps the connectors hidden and allows for closer placement to a wall or other boundary. The TX2181 is the same width and height as the TX2152, providing a single column appearance when stacked, and uses the minimum amount of space when stored or transported.

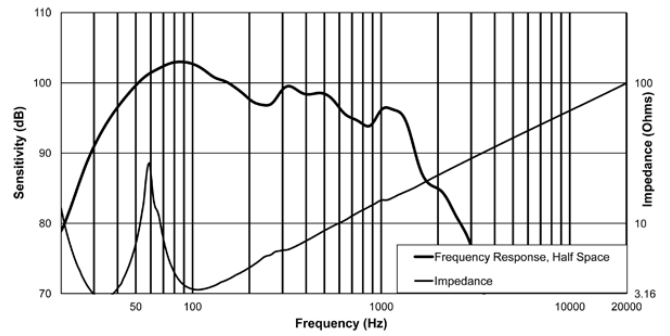
Parts included

Quantity	Component
1	Subwoofer
1	User manual

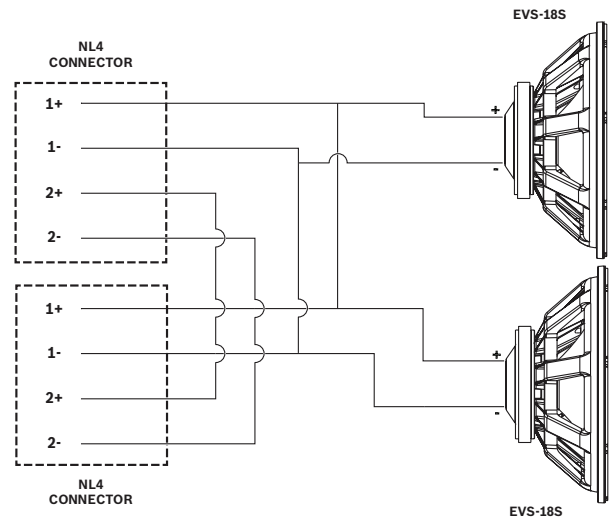
Technical specifications

Frequency response (-3 dB):	50 Hz - 160 Hz
Frequency range (-10 dB):	40 Hz - 1.5 kHz
Rec. low pass frequency:	80 Hz - 120 Hz
Axial sensitivity:	103 dB (1W/1m)
Max. calculated SPL:	138 dB
Horizontal coverage:	Omnidirectional
Vertical coverage:	Omnidirectional
Power handling:	1000 W continuous, 4000 W peak
LF transducers:	(2) EVS-18S, 18 in (457 mm) drivers
Nominal impedance:	4 Ohm
Minimum impedance:	2.9 Ohm
Connectors:	(2) Neutrik Speakon NL4's
Enclosure material:	Plywood and MDF with EVCoat
Grille:	16 GA steel, black powdercoat, with rotatable logo
Color:	Black
Dimensions (H x W x D):	45.4 in x 20.0 in x 27.2 in (1154 mm x 508 mm x 691 mm)
Net weight:	123.5 lb (56.1 kg)
Shipping weight:	139.0 lb (63.1 kg)

Frequency response and impedance:



Block diagram:



Compatible System Solutions:

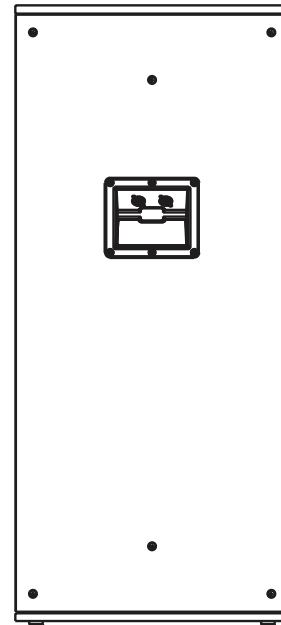
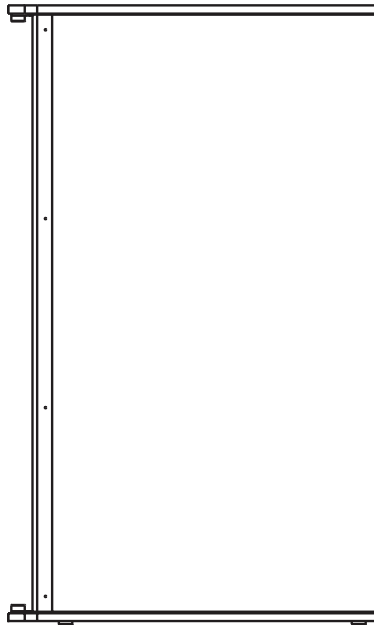
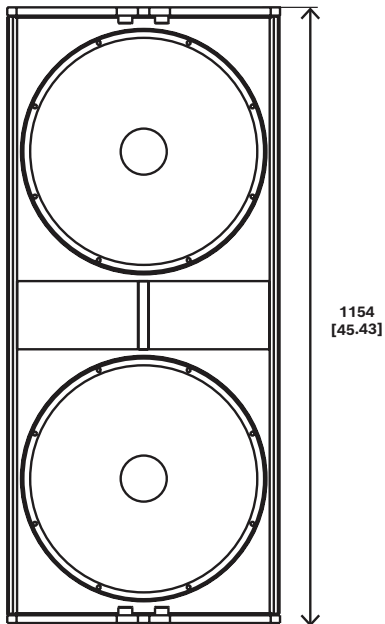
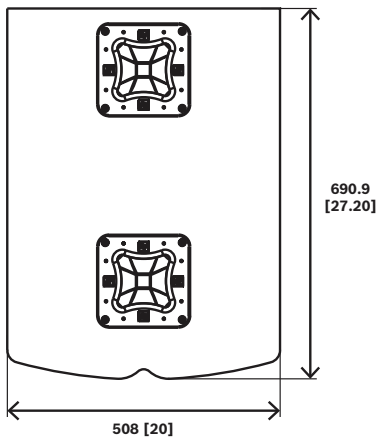
TX1152 15" 2-way passive loudspeaker, black

TX2152 Dual 15" 2-way passive loudspeaker, black

Dynacord L3600FD DSP power amplifier 2 x 1800 W

Dynacord C3600FDi DSP power amplifier 2 x 1800 W, install

Dimensions:



mm[inch]

Ordering information

TX2181_HE Dual 18" passive subwoofer, black
2 x 18" Subwoofer, 103 dB, 1000 W cont., black
Order number **TX2181_HE | F.01U.302.276**

Represented by:

Germany:
Bosch Sicherheitssysteme GmbH
Robert-Bosch-Ring 5
85630 Grasbrunn
Germany
www.electrovoice.com

Bosch Security Systems, LLC
12000 Portland Avenue South
Burnsville MN 55337
USA