

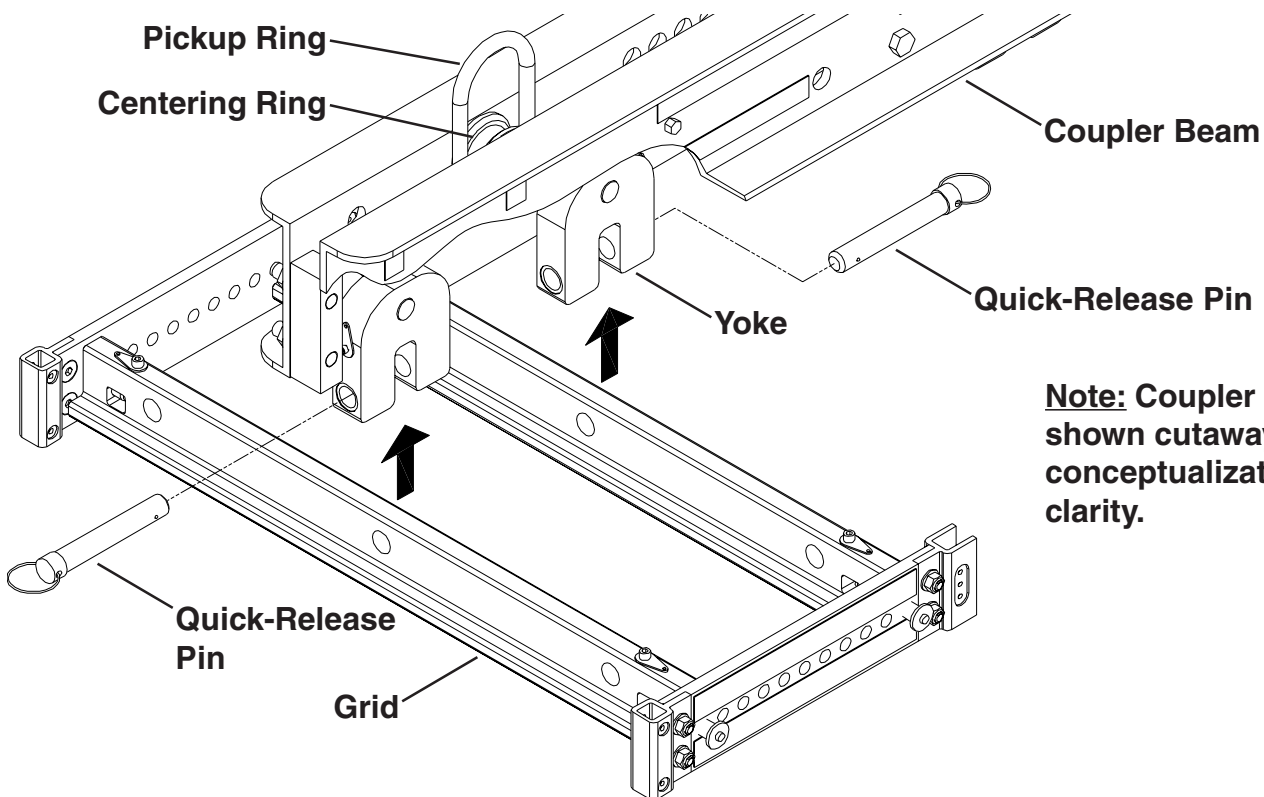
Coupler Beam

The X-Line Very Compact Coupler Beam features 3 rigging attachment positions to allow one or two columns of X-Line Very Compact Grid and Loudspeaker Arrays to be flown and tilted to obtain the desired sound coverage. The 3 rigging attachment positions allow for 2 options -

1. Hang dual arrays; an XLD281 or XLE181 array at "Grid Position A" and an XS212 array at "Grid Position C".
2. Hang a single array of XLD281's or XLE181's, or a combination of XLD281's and XS212's at "Grid Position B".



When using the Coupler Beam never exceed the rigging rating of the XLD281, XLE181, or XS212 systems used with it. These ratings account for stresses resulting from the load angles encountered in curved arrays. These ratings are the limiting factors. Consult the XLVC Rigging manual, and/or the rigging label on the XLD281, XLE181, and XS212 systems for the ratings when used in curved arrays. The Coupler Beam has been designed to exceed the structural ratings for the XLD281, XLE181, or XS212 loudspeaker systems, so if the structural ratings are not exceeded for loudspeaker system within the column, the structural rating for the coupler beam will not be exceeded.



Note: Coupler Beam shown cutaway for better conceptualization and clarity.

Figure 1:
Attaching Grids to Coupler Beam



WARNING: Suspending any object is potentially dangerous and should only be attempted by individuals who have a thorough knowledge of the techniques and regulations of rigging objects overhead. Electro-Voice® strongly recommends that X-Line Very Compact speakers be suspended taking into account all current national, federal, state and local regulations. It is the responsibility of the installer to ensure that X-Line Very Compact speakers are safely installed in accordance with all such regulations. If X-Line Very Compact speakers are suspended, Electro-Voice® strongly recommends that the system be inspected at least once a year. If any sign of weakness or damage is detected, remedial action should be taken immediately.

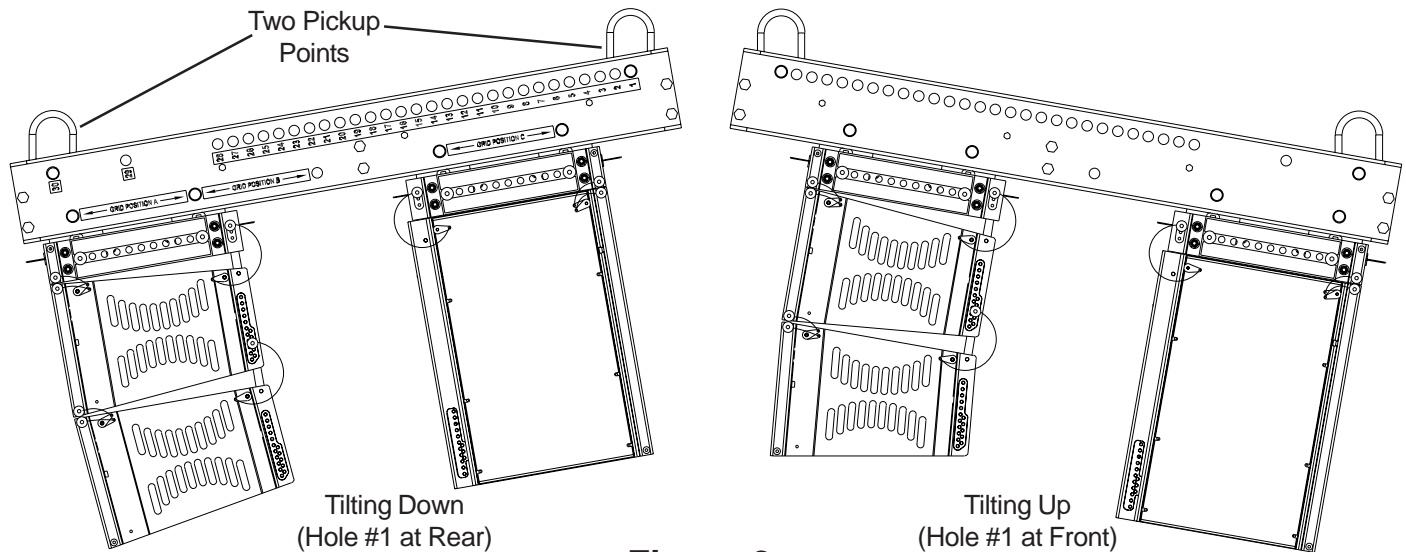


Figure 2:
CBEAM Dual-Array Configuration Using Grid Positions A and C

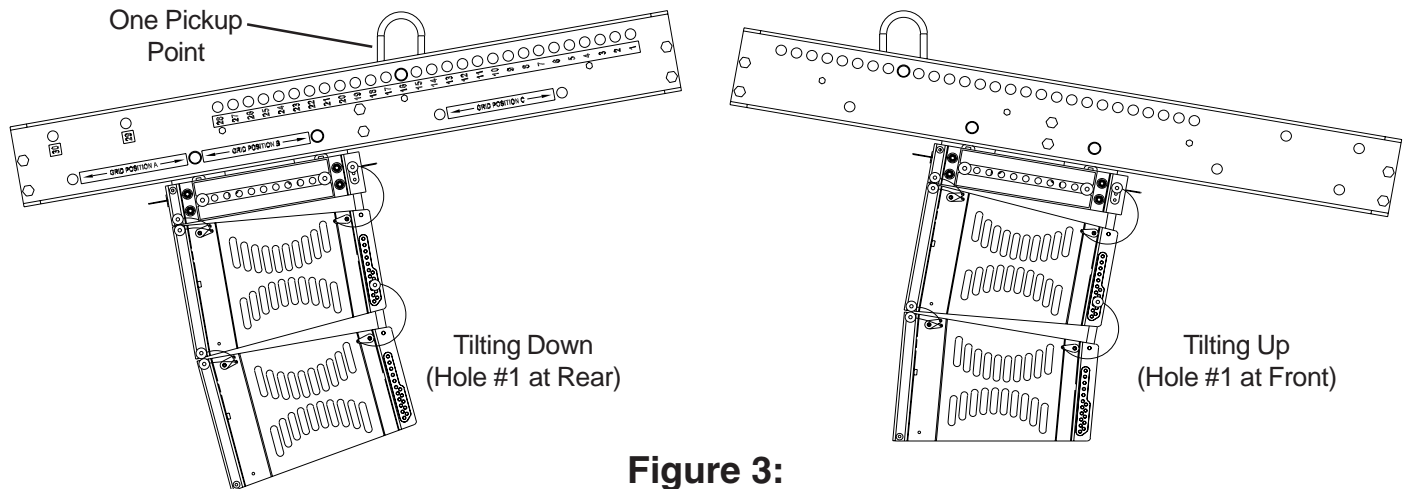
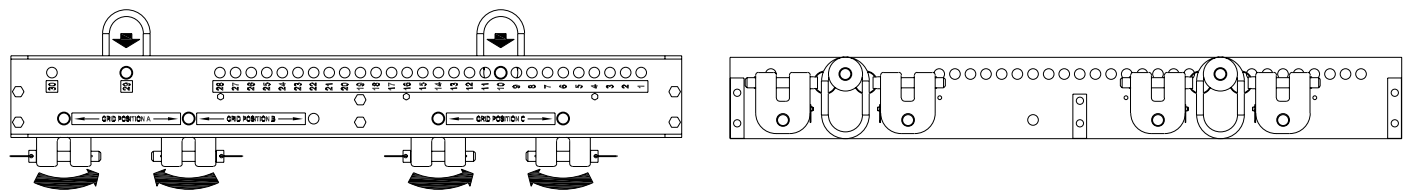


Figure 3:
CBEAM Single-Array Configuration Using Grid Position B



Step 1: Install Pickup Rings in Hole #10 and #29 and Yokes in Positions A and C

Step 2: Rotate Yokes, Then Drop Pickup Rings (View Shown Cutaway for Clarity)

Figure 4:
CBEAM Shipping/Transport Configuration



12000 Portland Avenue South, Burnsville, MN 55337
 Phone: 952/884-4051, Fax: 952/884-0043

www.electrovoice.com

© Telex Communications, Inc. 11/2005

Part Number 38110-456 Rev A

U.S.A. and Canada only. For customer orders, contact the Customer Service department at **800/392-3497 Fax: 800/955-6831**
 Europe, Africa and Middle East only. For customer orders, contact the Customer Service department at **49 9421-706 0 Fax: 49 9421-706 265**
 For warranty information, contact the Service Repair department at: **616/695-6831 or 800/685-2606**
 For technical assistance, contact Technical Support at: **866/78AUDIO**
Specifications subject to change without notice.