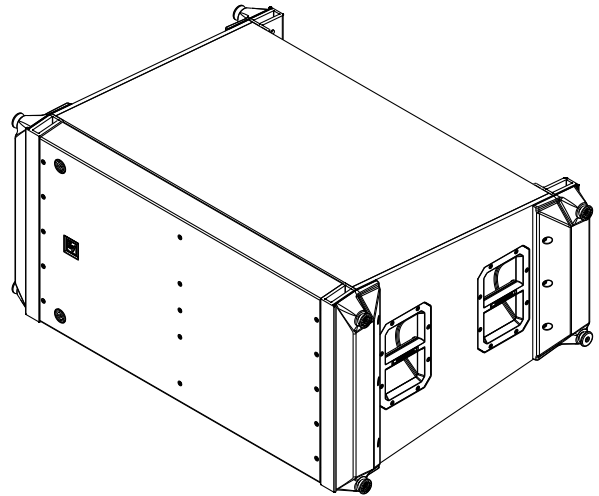


X12-125F X12 1-WAY 2X15-IN FLYING SUB, LINE ARRAY

- Super-high-output dual HWNS4158 15" woofers maintain low distortion at extremely high SPLs
- Dual front and rear signal connection points for front-firing or cardioid deployment
- Integrated rigging shortens load-in and load-out times
- Integrates easily into 2-, 3-, and 4-way system configurations with other X-Line Advance loudspeakers



The X-Line Advance X12-125F subwoofer produces impressive low-frequency impact and performance without losing musicality. In addition to its high output capability, the X12-125F is designed to acoustically match seamlessly with any X-Line Advance top cabinet as a ground stack subwoofer or as a flown subwoofer/LF array. Use Electro-Voice line array configuration software to quickly and accurately achieve your desired coverage and confirm that your configuration is safe. The software also provides information for the creation of steered/shaped subwoofer arrays.

The X12-125F subwoofer uses a pair of HWNS4158 15-inch high-excursion woofers with optimized magnetic configuration and improved air flow design that maximize voice coil cooling.

Technical specifications

Frequency response (-3 dB) ¹ :	36 - 215 Hz
Frequency response (-10 dB) ¹ :	29 - 1650 Hz
Coverage (H x V):	Omni directional
Rec. high-pass frequency:	33 Hz

Max calculated SPL ¹ :	134 dB continuous, 140 dB peak
Configuration:	Parallel mode: Both woofers are internally wired in parallel on Pins 1+/1-. Dual mode: Each woofer is wired separately on Pins 1+/1- and 2+/2-.
Axial sensitivity ¹ :	99 dB (1 W/1 m)
Passive power handling ² :	3000 W continuous, 12,000 W peak
Impedance:	(1) 4 ohm (parallel mode), (2) 8 ohm (dual mode)
LF transducer:	2 x 15 in HWNS4158
Connectors:	(4) NL8 type connectors (Two in front and two in back)
Enclosure:	13-ply weather resistant birch with EVCoat, internally braced
Grille:	14 GA powder coated galvalneal
Dimensions (H x W x D):	52.07 cm x 110.34 cm x 77.50 cm (20.50 in x 43.44 in x 30.51 in)

Net weight: 198 lb (89.8 kg)

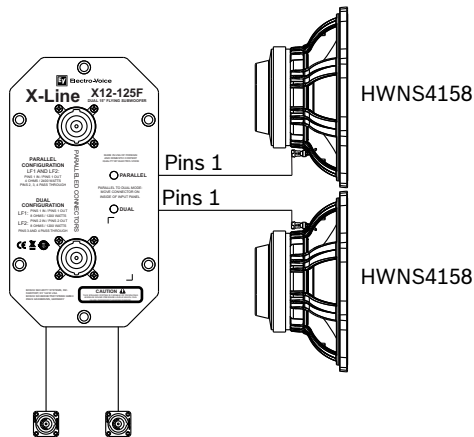
Shipping weight: 210 lb (95.3 kg)

¹Half-space anechoic measurement of single element.

²AES 2-1984 power test.

Block diagram parallel mode:

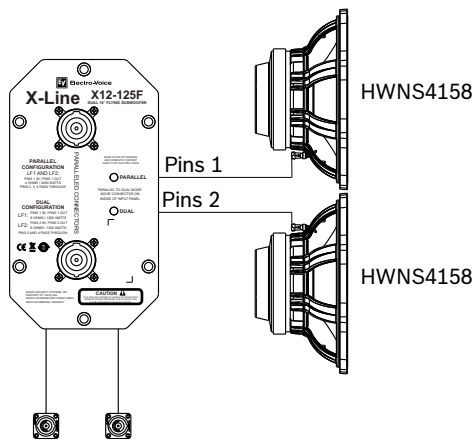
Internal jumper set for PARALLEL operation



PINS 1, 2, 3, and 4 are paralleled on all four NL8 connectors.

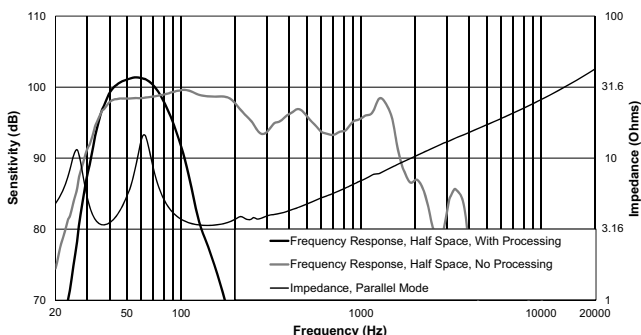
Block diagram dual mode:

Internal jumper set for DUAL operation.



PINS 1, 2, 3, and 4 are paralleled on all four NL8 connectors.

Frequency response and impedance:



Architectural and engineering specifications:

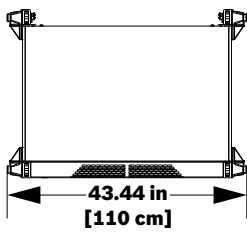
The loudspeaker system shall be a one-way passive system with dual NL8 type input connectors, where in dual mode pins 1 +/- shall be wired to one low-frequency transducer and pins 2 +/- shall be wired to the second low-frequency transducer for two independent 8 ohm nominal loads. Pins 3 +/- and 4 +/- shall be wired as pass thru between connectors on rear panel only. Two additional NL8 type connectors shall be provided on front grill to facilitate system connectivity when system is used in cardioid mode. Pins 1 +/- and 2 +/- shall be paralleled to rear input panel connectors, and pins 3 +/- and 4 +/- shall be wired as pass thru between connectors on the front grill only. When used in parallel mode, both low-frequency transducers shall be connected in parallel on pins 1 +/- for a 4 ohm nominal load, and pins 2 +/-, 3 +/- and 4 +/- shall be wired as pass thru between connectors on rear panel only. The system shall have two 15-inch, low-frequency transducers with a nominal impedance of 8 ohms each. The system shall be capable of being used in 2 x 8 ohm or 1 x 4 ohm configuration by using an internal switchable connector. The 15-inch transducers shall have single 4-inch copper wire voice coils. The low-frequency transducers shall have a power-handling capacity of 1500 watts each for 2 hours (per AES 2-1984). The loudspeaker enclosure shall be constructed of 18 mm, 13-ply birch and shall be trapezoidal in shape. The grille shall be constructed from 14 GA powder-coated galvanized backed with acoustically transparent fabric. The system shall be capable of very high-level operation with a bandwidth of 36 Hz to 215 Hz (-3 dB down point). The system dimensions shall be 110.34 cm (43.44 in) wide by 52.07 cm (20.50 in) high by 77.50 cm (30.51 in) deep. Net weight shall be 89.8 kg (198 lb). The loudspeaker shall be the X12-125F from Electro-Voice.

Caution!

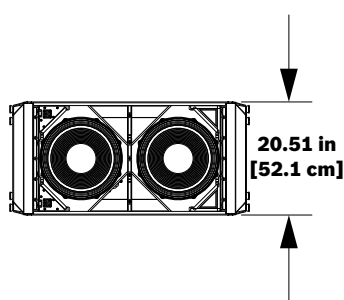
Electro-Voice loudspeakers and rigging accessories should be suspended overhead only in accordance with the procedures and limitations specified in the user documentation and installation manual. Electro-Voice products should be suspended with certified rigging hardware by an authorized rigging professional and in complete compliance with local, state, and federal overhead suspension ordinances.



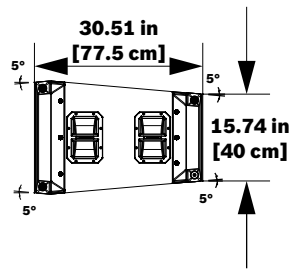
Dimensions:



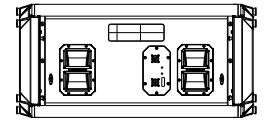
Top



Front



Side



Rear

Compatible System Solutions:

X1-212/90 90° Full-Range Line Array Element¹

X2-212/90 90° Full-Range Line Array Element¹

X1-212/120 120° Full-Range Line Array Element¹

X2-212/120 120° Full-Range Line Array Element¹

X12-128 18" non-flying subwoofer

¹X12-125F-AG is required when using X12-125F subwoofers and X-Line Advance full-range elements in a mixed array.

Compatible System Solutions, Electronics:

N8000-1500 NETMAX Controller including DSP-2 Extension for a total of 1800 MIPS processing power, 120 V. * This must be ordered as two separate items: (1) N8000 120 V and (1) DSP-2.¹

OM-1 OMNEO card, replacement DM-1 Dante Module (Note that Dante transport is fully functional, but the OMNEO OCA control interface is not compatible with N8000.)

Dynacord IPX20:4 DSP power amplifier 4x5000W, install

Dynacord TGX20 DSP power amplifier 4x5000W, live

¹Contact your sales representative for available voltage versions.

Notice!



This loudspeaker system is also compatible with certain legacy Electro-Voice and Dynacord amplifiers that have an RCM-28 network card installed.

Parts included

Quantity	Component
1	Subwoofer
1	Data sheet
1	Warranty card

Ordering information

X12-125F X12 1-WAY 2X15-IN FLYING SUB, LINE ARRAY

X12 1-way 2 x 15-inch flying subwoofer, line array, black

Order number **X12-125F**

Accessories

X12-125F-GRID GRID FOR X12-125F SUBWOOFERS

Grid for X12-125F subwoofer, black

Order number **X12-125F-GRID**

X12-125FPU-BKG PULL UP GRID KIT FOR X12-125F

Grid for X12-125F subwoofer, black

Order number **X12-125FPU-BKG**

X12-125F-AG GRID ADAPTER FOR X1/X2 TO X12-125F

Grid adapter for X1/X2 to X12-125F, black

Order number **X12-125F-AG**

X12-125F-DOLLY DOLLY FOR X12-125F FLYING SUBWOOFERS

Dolly for X12-125F flying subwoofer, black

Order number **X12-125F-DOLLY**

X12-125F-DOK OUTRIGGER KIT FOR X12-125F-DOLLY

Outrigger kit for X12-125F-DOLLY, red

Order number **X12-125F-DOK**

X12-125F-CGK GRILL KIT X12-125F AS CARDIOID ELEMENT

The cardioid grille kit is used to cover the rear of X12-125F subwoofers in a cardioid array that face the audience, black

Order number **X12-125F-CGK**

Represented by:

Germany:

Bosch Sicherheitssysteme GmbH
Robert-Bosch-Ring 5
85630 Grasbrunn
Germany

Bosch Security Systems, Inc.
12000 Portland Avenue South
Burnsville MN 55337
USA

www.electrovoice.com