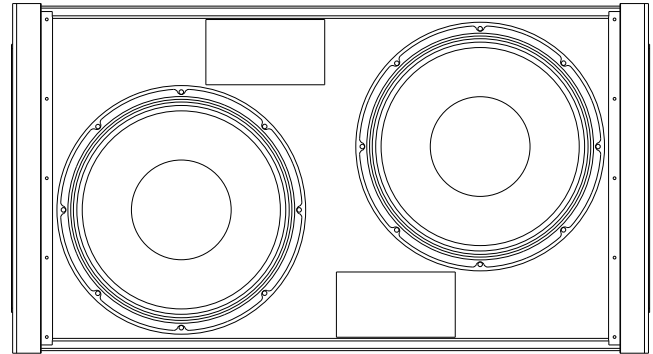


## XLC-215 and XLCi-215



- Compact, Lightweight, 139 dB SPL
- Fast, Simple Integrated Rigging
- Footprint Identical to XLC127DVX and XLC907DVX
- Optional Adapter Grid for use with XLD281
- 2 x DVX3150A Transducers



The XLC family is designed to provide the highest quality performance for a variety of applications. It is comprised of two full range systems; XLC127DVX (120° line-array element), XLC907DVX (90° line-array element), and one subwoofer; XLC215. The XLC215 uses two 15-inch DVX3150A woofers, and is a true sub-bass system designed for high-level, extended low frequency output. The XLC215 shares the same enclosure footprint and rigging is identical to that of other XLC systems, allowing flexible subwoofer integration with full range arrays requiring extended low frequency response. With a height 1.5 times that of the XLC full-range systems, a subwoofer array can be flown side by side with column appearances similar to the main array using a ratio of 2 subs for every 3 full range boxes. Subwoofer systems can also be placed at the top or bottom of full range arrays for seamless arrayed 4-way system integration. Designed for use in groups of two or more the Subwoofer delivers predictability and control. Combined with an advanced integrated rigging system, one-man installations are a reality. The subwoofer systems can also be ground stacked. Ideal for applications ranging from live reinforcement to performing arts venues to houses of worship to sports facilities, XLC gives you the power to make it happen. XLC can deliver unprecedented performance, particularly in difficult acoustical environments.

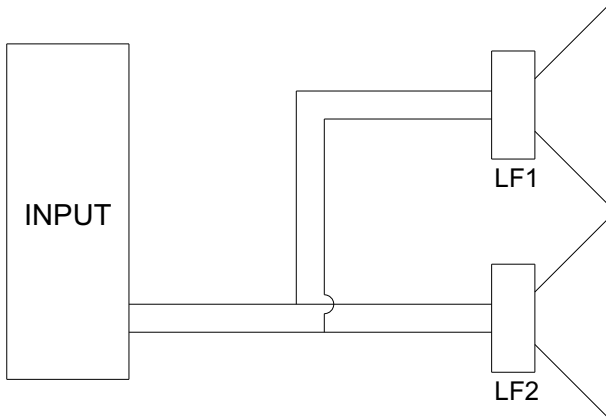
### Technical specifications

Frequency response (-3 dB):	40 Hz-400 Hz <sup>1</sup>
Frequency range (-10 dB):	30 Hz-400 Hz <sup>1</sup>
Max calculated SPL:	133 dB cont., 139 dB peak <sup>1</sup>

Vertical coverage:	Array dependent
Rigging:	Fully captive aluminum, 1° increments, 16 (both types) elements with 8 to 1 safety factor
LF power handling:	1000 W cont., 4000 W peak
Sensitivity:	103 dB <sup>1</sup>
High pass frequency:	28 Hz
Recommended crossover frequency range:	80 Hz - 200 Hz
LF passband:	2 x 15 in DVX3150A, 4 Ω
Connectors:	2 x NL8
Enclosure:	13-ply birch plywood with EVCoat®
Grille:	Zinc plated steel
Environmental specification:	IEC 529 IP24, MIL 810
Dimensions (H x W x D):	21.44 in x 39 in x 22.5 in (454 mm x 990 mm x 572 mm)
Net weight:	120 lb (54.5 kg)
Shipping weight:	140 lb (63.6 kg)

<sup>1</sup>Half-space measurement.

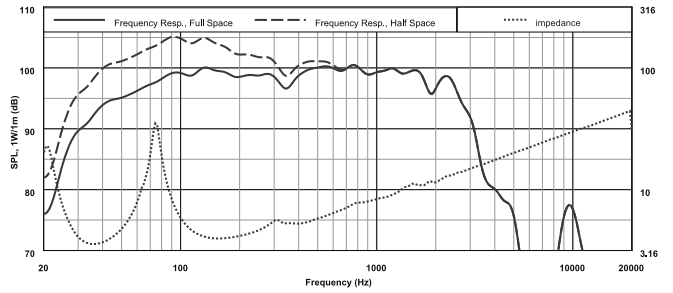
**Block diagram:**



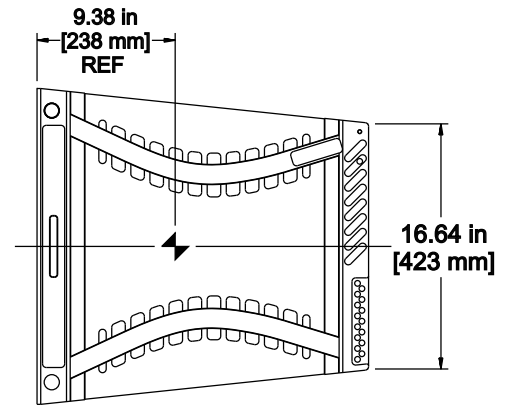
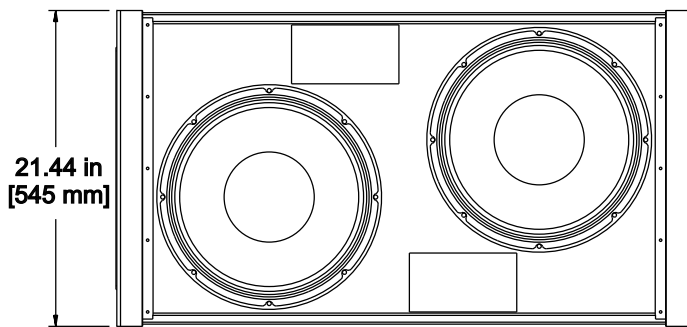
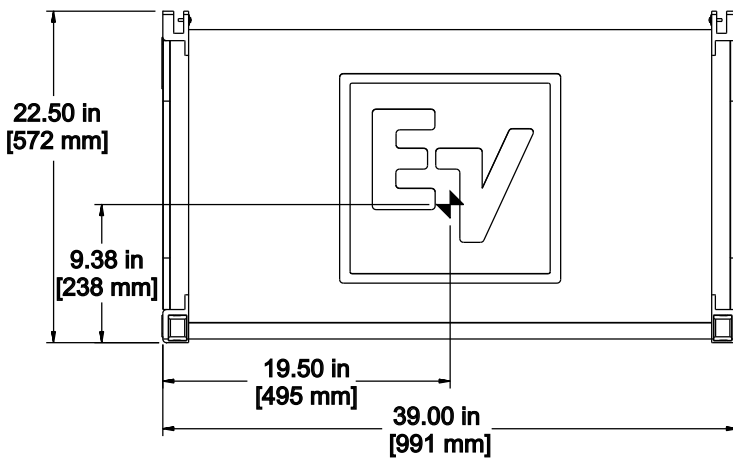
**Connections**

Pins 2, 3, 4: Pass Through  
Sub: Pins 1

**Frequency response and impedance:**



**Dimensions:**



**Compatible System Solutions, Electronics:**

- CP3000S Precision Series Power Amplifier
- CP4000S Precision Series Power Amplifier
- TG5/TG7 Tour Grade Power Amplifiers
- Dx46 Digital Sound System Controller

**Compatible System Solutions, Touring versions:**

- XLC127DVX 120° Full-Range Line Array Element
- XLC907DVX 90° Full-Range Line Array Element

**Compatible System Solutions, Install Versions:**

- XLCi127DVX 120° Full-Range Install Line Array Element
- XLCi907DVX 90° Full-Range Install Line Array Element

**Ordering information**

**EV-XLC215 Dual 15" flying/groundstack sub black**  
2 x 15" DVX3150A flying subwoofer, incl. flying hardware.  
Available in Europe, Africa and the Middle East only.  
Order number **EV-XLC215 | F.01U.101.246**

**XLC215 Dual 15" flying/groundstack sub black**

2 x 15" DVX3150A flying subwoofer, incl. flying hardware  
Order number **XLC215 | F.01U.272.390**

---

**XLCi215 XLCi215, BLACK INSTALL VERSION, 2 X 15"**

XLC215 for permanent installation  
Order number **XLCi215 | F.01U.272.386**

---

**Accessories**

**AGCD\_GLN Adapter grid for XLD to XLC black**

Adapter grid XLC/XLD rigging system , e.g. XLC215 + XLD281  
Order number **AGCD\_GLN | F.01U.249.781**

---

**XLC-GRID-B1\_GLN XLC grid for concert version**

Grid for concert/portable XLC cabinets  
Order number **XLC-GRID-B1\_GLN | F.01U.249.783**

---

**XLCi-GRID-B2\_GLN Grid XLCi standard models black**

Grid for XLCi-DVX install cabinets supports up to 16 cabinets  
Order number **XLCi-GRID-B2\_GLN | F.01U.249.784**

---

**XLC BD\_GLN Bottom dolly XLC tops & subwoofers**

XBD, Dolly, XLC concert series, 4 tall, aluminum  
Order number **XLC BD\_GLN | F.01U.249.786**

---

**Represented by:**

**Germany:**  
Bosch Sicherheitssysteme GmbH  
Robert-Bosch-Ring 5  
85630 Grasbrunn  
Germany  
www.electrovoice.com

Bosch Security Systems, LLC  
12000 Portland Avenue South  
Burnsville MN 55337  
USA