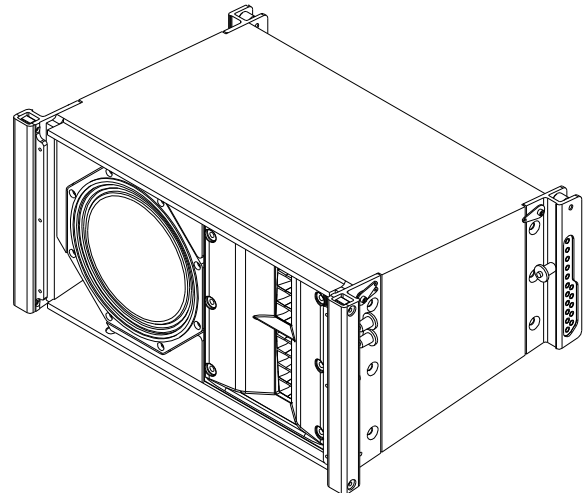


XLE181-FG Fiberglass 2-Way, High-Output, Very Compact Line-Array Element



- Very Compact, Lightweight
- Simple, Quick Integrated Rigging
- 120° Horizontal Coverage
- Bi-Amp or Full-Range Operation only
- Neodymium Transducers



The XLE181-FG is a 2-way using a single 8-inch neodymium LF transducer and two neodymium 2-inch voice coil compression drivers with output combined through two Hydra waveform converters into a 120° x 10° waveguide.

These fiberglass models are fully weatherized. The XLE181-FG can be configured in bi-amp or full-range modes. It is designed for use in arrays of four or more elements. The XLE181-FG delivers full bandwidth audio with precise, predictable coverage control.

The XLVC weatherized family consists of two full-range systems with dual woofers, two full-range systems with single woofers and a subwoofer system.

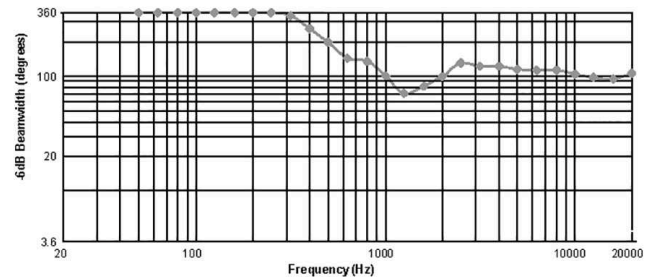
The dual-woofer versions include the XLD281-FG with a 120° horizontal coverage pattern and the XLD291-FG with a 90° horizontal coverage pattern. The single-woofer versions include the XLE181-FG with a 120° horizontal coverage pattern and the XLE191-FG with a 90° horizontal coverage pattern. The subwoofer module is the XCS312-FG.

PREVIEW Loudspeaker Software quickly provides array configurations and rigging information.

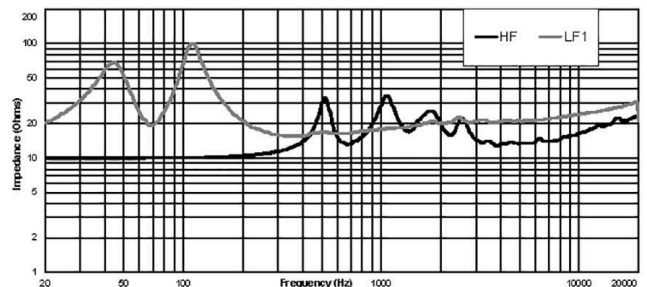
XLD and XLE weatherized models deliver unprecedented performance in outdoor venues even when fully exposed to the elements.

System overview

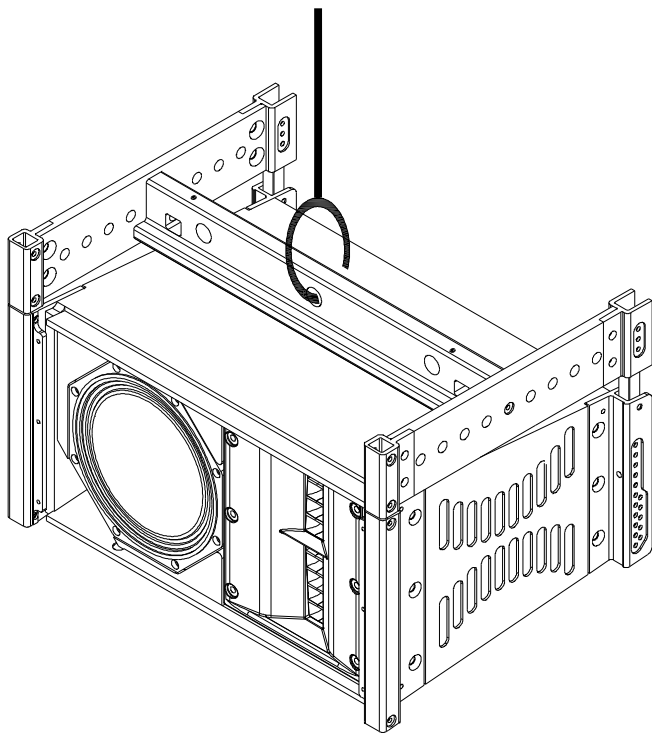
Beamwidth:



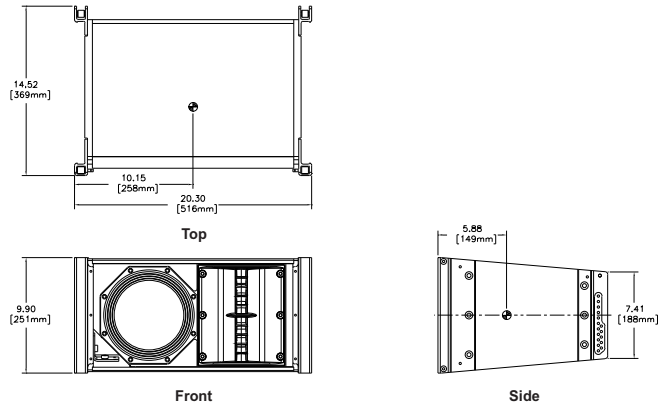
Impedance:



Grid Drawing:



Dimensions:



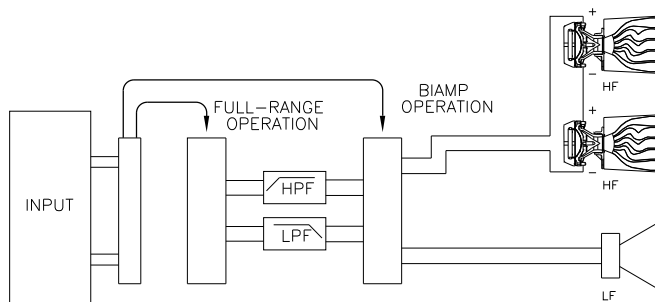
Compatible System Solutions, Install Version:

- _____ XLE191-FG 90° Full-Range Line Array Element
- _____ XCS312-FG Triple 12 inch Cardioid Compact Controlled-Coverage Bass Element

Compatible System Solutions, Electronics:

- _____ CP3000S Precision Series Power Amplifier
- _____ CP4000S Precision Series Power Amplifier
- _____ TG5 Tour Grade Power Amplifier
- _____ TG7 Tour Grade Power Amplifier
- _____ Dx46 Digital Sound System Controller
- _____ N8000 NetMax 300 MIPS Digital Matrix Controller

Block Diagram:



Wiring Detail:

Biamp	
HF	Blue +, Brown -
LF	Red +, Black -

Full-Range	
Passive	Red+, Black -

Technical specifications

Frequency response (-3dB):	90 Hz-18 kHz ¹
Frequency range (-10 dB):	75 Hz-20 kHz ¹
Max calculated SPL:	137 dB Cont., 143 dB Peak ²
Horizontal coverage:	120°
Vertical coverage:	Array dependent, software definable ³
Rigging:	1° increments, 16 elements with 8 to 1 safety factor
LF power handling:	200 W cont., 800 W peak
HF power handling:	80 W cont., 320 W peak
Recommended LF to HF crossover frequency:	1760 Hz ⁴
LF passband:	1 x 8 in DVN2080, 16 ohms
HF passband:	2 x ND2S-8, 16 ohms
Connectors:	Gland nut with 30 ft cable
Enclosure:	13-ply birch plywood with fiberglass and EVCoat
Grille:	Stainless steel with powder coat paint and hydrophobic cloth
Environmental specifications:	IEC 60529, IP55

Dimensions (H x W x D): 9.90 in x 20.30 in x 14.52 in
(251 mm x 516 mm x 369 mm)

Net weight: 38 lb (17.2 kg)

Shipping weight: 41 lb (18.4 kg)

¹Full space measurement of four elements.

²Full space measurement of HF section of four elements, SPL adjusted for 1 m distance.

³Using PREVIEW Loudspeaker Software

⁴Use EV signal processing or download presets from Electro-Voice website.

Ordering information

XLE181-FGB 8" 120x10 install fiberglass black

XLE full-range cabinet, fiberglass, 1 x 8", 2 x ND2, full-range or bi-amp mode switchable, 10° vertical angle, 120° horizontal angle, integrated rigging system, black

Order number **XLE181-FGB | F.01U.286.126**

XLE181-FGW 8" 120x10 install fiberglass white

XLE full-range cabinet, fiberglass, 1 x 8", 2 x ND2, full-range or bi-amp mode switchable, 10° vertical angle, 120° horizontal angle, integrated rigging system, white

Order number **XLE181-FGW | F.01U.286.127**

Accessories

XLE-GRID-FGB Grid for XLE install fiberglass black

XLE system fiberglass grid for up to 16 x XLE181-FG/XLE191-FG, black

Order number **XLE-GRID-FGB | F.01U.286.120**

XLE-GRID-FGW Grid for XLE install fiberglass clear

XLE system fiberglass grid for up to 16 x XLE181-FG/XLE191-FG, white

Order number **XLE-GRID-FGW | F.01U.286.121**

XLCV-BGK-FGB Bottom grid hardware for XLD-FG/XLE-FG

Bottom grid kit for XLD and XLE fiberglass (-FG) systems, black

Order number **XLCV-BGK-FGB | F.01U.287.221**

Represented by:

Germany:
Bosch Sicherheitssysteme GmbH
Robert-Bosch-Ring 5
85630 Grasbrunn
Germany
www.electrovoice.com

Bosch Security Systems, LLC
12000 Portland Avenue South
Burnsville MN 55337
USA