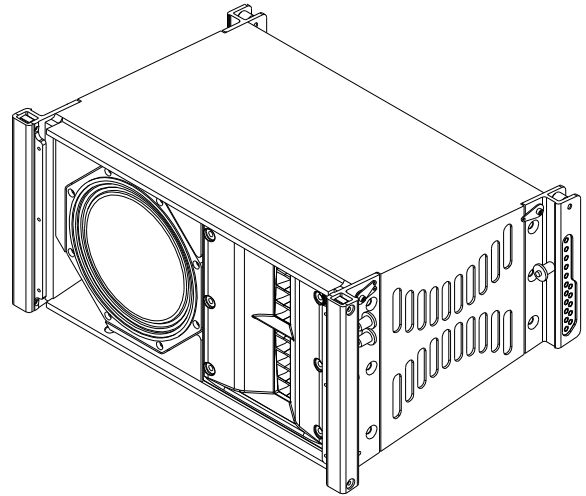


# XLE181 2-Way, High-Output, Very Compact Line-Array Element

- Very Compact, Lightweight
- Simple, Quick Integrated Rigging
- 120° Horizontal Coverage
- Bi-Amp or Full-Range Operation
- Neodymium Transducers



The XLE181 is a 2-way using a single 8" neodymium LF transducer and two neodymium 2" voice coil compression drivers combining through 2 hydra plane wave generators into a 120° x 10° waveguide. The XLE181 can be used in biamp or full-range modes using a sophisticated internal passive network. It is designed for use in arrays of four or more elements. The XLE181 delivers full bandwidth audio with precise, predictable coverage control. Integrated rigging with hinge points located correctly between array elements is simple to use and quickly provides uncompromised line array performance.

The XLVC family consists of two full-range systems with dual woofers, two full-range systems with single woofers and a subwoofer system. The dual-woofer versions include the XLD281 with a 120° horizontal coverage pattern and the XLD291 with a 90° horizontal coverage pattern. The single woofer versions include the XLE181 with a 120° horizontal coverage pattern and the XLE191 with a 90° horizontal coverage pattern. LAPS2 modeling software quickly provides array configurations and rigging information. X-Line Very Compact delivers unprecedented performance in applications ranging from live reinforcement to performing arts venues to houses of worship.

## Technical specifications

Frequency Response (-3dB):	90 Hz-18 kHz <sup>1</sup>
Frequency Range (-10 dB):	75 Hz-20 kHz <sup>1</sup>
Max Calculated SPL:	137 dB Cont., 143 dB Peak <sup>2</sup>
Horizontal Coverage:	120°
Vertical Coverage:	Array Dependant, Software Definable
Rigging:	Fully Captive Aluminum, 1° increments, 16 elements with 8 to 1 Safety Factor
LF Power Handling:	200W Cont., 800W Peak
HF Power Handling:	80W Cont., 320W Peak
LF to HF Crossover Frequency:	1760 Hz <sup>3</sup>
LF Passband:	1 x 8 inch DVN2080, 16 ohms
HF Passband:	2 x ND2S-8, 16 ohms
Connectors:	2 x NL8
Enclosure:	13-ply birch plywood with EVCoat

## 2 | XLE181 2-Way, High-Output, Very Compact Line-Array Element

Grille:	Galvannealed steel with powder coat paint
Environmental Specifications:	IEC 529 IP24, MIL 810
Dimensions (H x W x D):	9.90 in x 20.30 in x 14.52 in (251 mm x 516 mm x 369 mm)
Net Weight:	38 lb (17.2 kg)
Shipping Weight:	41 lb (18.4 kg)

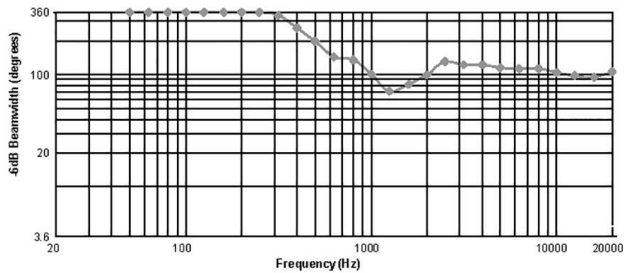
<sup>1</sup>Full Space Measurement of four (4) elements.

<sup>2</sup>Full Space Measurement of HF section of four (4) elements, SPL adjusted for 1 m distance.

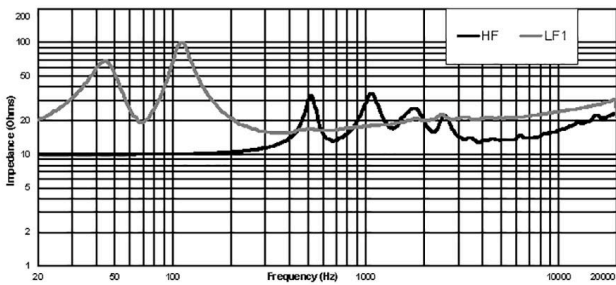
<sup>3</sup>Use EV signal processing or download presets from Electro-Voice website.

## System overview

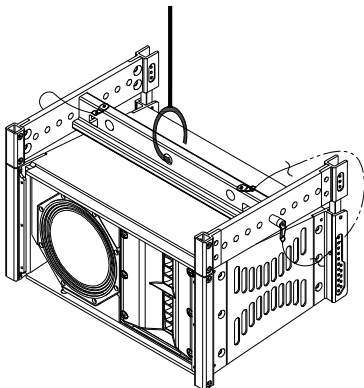
### Beamwidth:



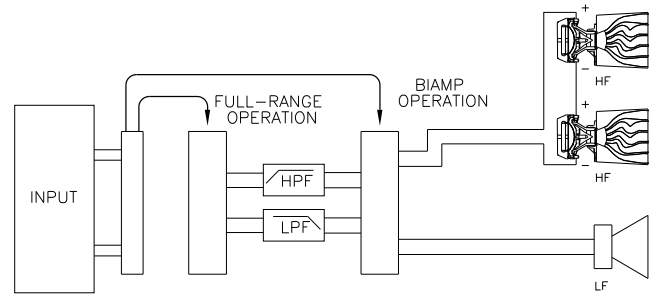
### Impedance:



### Grid Drawing:



### Block Diagram:

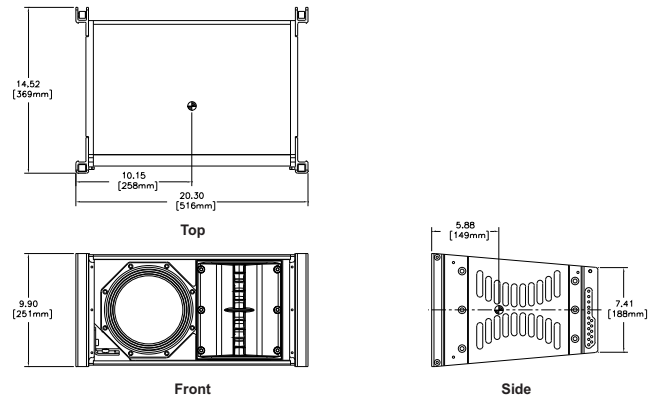


### Connection Chart:

(Pins 1 and 2 Pass Through)

	Biamp	Full-Range
LF:	Pins 2	LF/HF: Pins 3
HF:	Pins 4	Pins 4 Pass Through

### Dimensions:



### Compatible System Solutions:

XLE191 90° Full-Range Line Array Element

XCS312 Triple 12 inch Cardioid Compact Controlled-Coverage Bass Element (Requires AGSE)

### Compatible System Solutions, Electronics:

CP3000S Precision Series Power Amplifier

CP4000S Precision Series Power Amplifier

TG5 Tour Grade Power Amplifier

TG7 Tour Grade Power Amplifier

Dx46 Digital Sound System Controller

N8000 NetMax 300 MIPS Digital Matrix Controller

## Ordering information

### **XLE181 2-Way, High-Output, Very Compact Line-Array Element Black**

XLE full-range cabinet, 1 x 8", 2 x ND2, full-range or bi-amp mode switchable, 10° vertical angle, 120° horizontal angle, integrated rigging system, black  
Available in EMEA regions only  
Order number **EV-XLE181**

---

### **XLE181 2-Way, High-Output, Very Compact Line-Array Element Black**

XLE full-range cabinet, 1 x 8", 2 x ND2, full-range or bi-amp mode switchable, 10° vertical angle, 120° horizontal angle, integrated rigging system, black  
Order number **XLE-181-BLKLB**

---

### **XLE181 2-Way, High-Output, Very Compact Line-Array Element White**

XLE full-range cabinet, 1 x 8", 2 x ND2, full-range or bi-amp mode switchable, 10° vertical angle, 120° horizontal angle, integrated rigging system, white  
Order number **XLE-181-WHTLB**

---

### **Accessories**

#### **AGSE-BLK Adaptor Grid Black**

Adaptor grid XCS312 - XLE181, black  
Order number **AGSE-BLK\_GLN**

---

#### **AGSE-CCA Adapter Grid Clear Coated**

Adapter grid to attach to XLC312; clear coated  
Order number **AGSE-CCA\_GLN**

---

#### **CBEAM Coupler Beam**

Coupler beam for connecting XLD/XLE grids  
Order number **CBEAM\_GLN**

---

#### **XGS-4 Groundstack Kit**

XGS-4 groundstack kit for XLD or XLE and XCS312  
Order number **XGS-4\_GLN**

---

#### **XLE GRID**

XLE system aluminum grid for up to 16 x XLE181/  
XLE191  
Order number **XLE GRID\_GLN**

---

#### **XLVC-BGK Bottom Grid Kit**

Bottom grid kit for XLD and XLE systems  
Order number **XLVC-BGK\_GLN**

---

#### **XLVC-TAE Tilt Angle Extender**

Tilt angle extender for XLD and XLE systems  
Order number **XLVC-TAE\_GLN**

---

#### **Represented by:**

##### **Germany:**

Bosch Sicherheitssysteme GmbH  
Robert-Bosch-Ring 5  
85630 Grasbrunn  
Germany

Bosch Security Systems, Inc.  
12000 Portland Avenue South  
Burnsville MN 55337  
USA

[www.electrovoice.com](http://www.electrovoice.com)