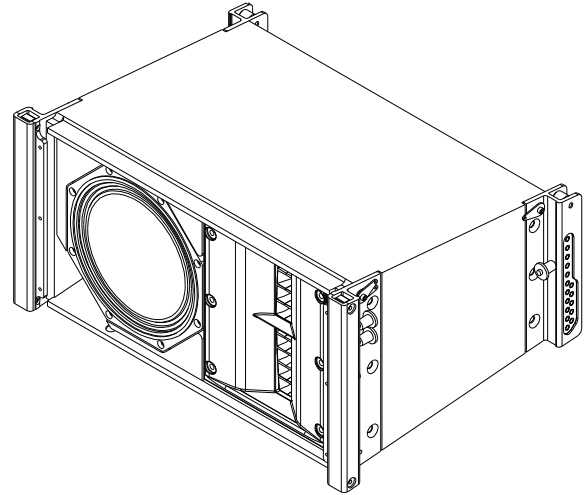


# XLE191-FG Fiberglass 2-Way, High-Output, Very Compact Line-Array Element



- Very Compact, Lightweight
- Simple, Quick Integrated Rigging
- 90° Horizontal Coverage
- Bi-Amp or Full-Range Operation only
- Neodymium Transducers



The XLE191-FG is a 2-way using a single 8-inch neodymium LF transducer and two neodymium 2-inch voice coil compression drivers with output combined through two Hydra waveform converters into a 90° x 10° waveguide.

These fiberglass models are fully weatherized. The XLE191-FG can be configured in bi-amp or full-range modes. It is designed for use in arrays of four or more elements. The XLE191-FG delivers full bandwidth audio with precise, predictable coverage control.

The XLVC weatherized family consists of two full-range systems with dual woofers, two full-range systems with single woofers and a subwoofer system.

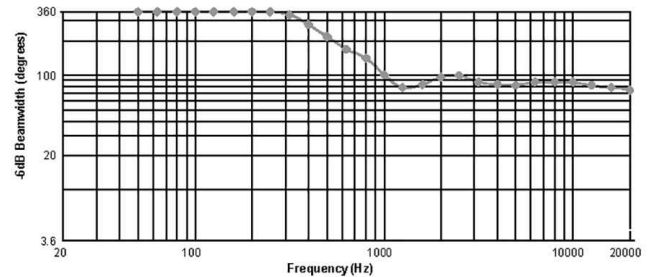
The dual-woofer versions include the XLD281-FG with a 120° horizontal coverage pattern and the XLD291-FG with a 90° horizontal coverage pattern. The single-woofer versions include the XLE181-FG with a 120° horizontal coverage pattern and the XLE191-FG with a 90° horizontal coverage pattern. The subwoofer module is the XCS312-FG.

PREVIEW Loudspeaker Software quickly provides array configurations and rigging information.

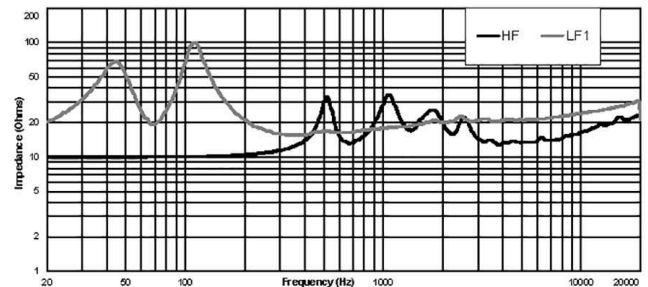
XLD and XLE weatherized models deliver unprecedented performance in outdoor venues even when fully exposed to the elements.

## System overview

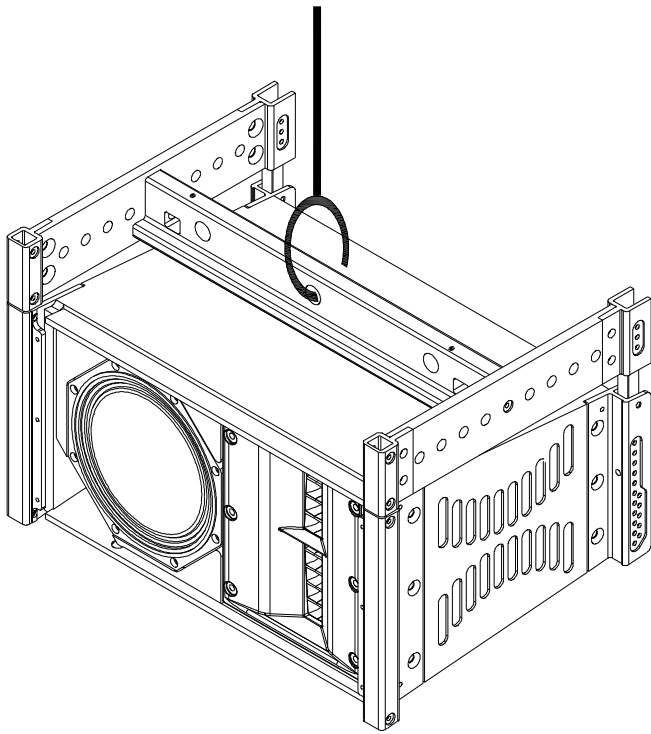
### Beamwidth:



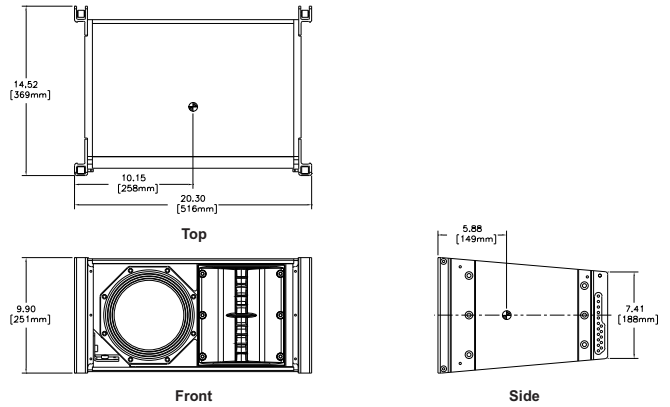
### Impedance:



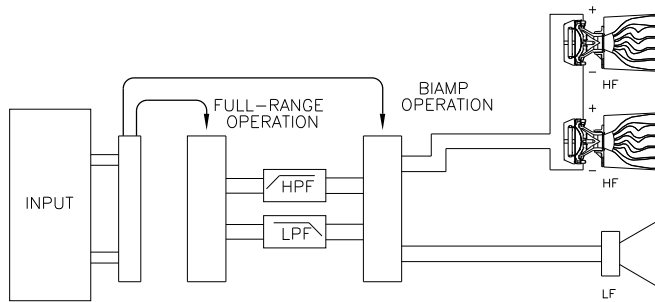
**Grid Drawing:**



**Dimensions:**



**Block Diagram:**



**Wiring Detail:**

Biamp	
HF	Blue +, Brown -
LF	Red +, Black -

Full-Range	
Passive	Red+, Black -

**Compatible System Solutions, Install version:**

- XLE181-FG 120° Full-Range Line Array Element
- XCS312-FG Triple 12 inch Cardioid Compact Controlled-Coverage Bass Element

**Compatible System Solutions, Electronics:**

- CP3000S Precision Series Power Amplifier
- CP4000S Precision Series Power Amplifier
- TG5 Tour Grade Power Amplifier
- TG7 Tour Grade Power Amplifier
- Dx46 Digital Sound System Controller
- N8000 NetMax 300 MIPS Digital Matrix Controller

**Technical specifications**

Frequency response (-3dB):	90 Hz-18 kHz <sup>1</sup>
Frequency range (-10 dB):	75 Hz-20 kHz <sup>1</sup>
Max calculated SPL:	138 dB cont., 144 dB peak <sup>2</sup>
Horizontal coverage:	90°
Vertical coverage:	Array dependent, software definable <sup>3</sup>
Rigging:	1° increments, 16 elements with 8 to 1 safety factor
LF power handling:	200 W cont., 800 W peak
HF power handling:	80 W cont., 320 W peak
Recommended LF to HF crossover frequency:	1760 Hz <sup>4</sup>
LF passband:	1 x 8 inch DVN2080, 16 ohms
HF passband:	2 x ND2S-8, 16 ohms
Connectors:	Gland nut with 30 ft cable
Enclosure:	13-ply birch plywood with fiberglass and EVCoat
Grille:	Stainless steel with powder coat paint and hydrophobic cloth
Environmental specifications:	IEC 60529, IP55

Dimensions (H x W x D): 9.90 in x 20.30 in x 14.52 in  
(251 mm x 516 mm x 369 mm)

Net weight: 38 lb (17.2 kg)

Shipping weight: 41 lb (18.4 kg)

<sup>1</sup>Full space measurement of four elements.

<sup>2</sup>Full space measurement of HF section of four elements, SPL adjusted for 1 m distance.

<sup>3</sup>Using PREVIEW Loudspeaker Software

<sup>4</sup>Use EV signal processing or download presets from Electro-Voice website.

## Ordering information

### **XLE191-FGB 8" 90x10 install fiberglass black**

XLE full-range cabinet, fiberglass, 1 x 8", 2 x ND2, full-range or bi-amp mode switchable, 10° vertical angle, 90° horizontal angle, integrated rigging system, black

Order number **XLE191-FGB | F.01U.286.128**

### **XLE191-FGW 8" 90x10 install fiberglass white**

XLE full-range cabinet, fiberglass, 1 x 8", 2 x ND2, full-range or bi-amp mode switchable, 10° vertical angle, 90° horizontal angle, integrated rigging system, ocean liner white

Order number **XLE191-FGW | F.01U.286.129**

### **Accessories**

#### **XLE-GRID-FGB Grid for XLE install fiberglass black**

XLE system fiberglass grid for up to 16 x XLE181-FG/XLE191-FG, black

Order number **XLE-GRID-FGB | F.01U.286.120**

#### **XLE-GRID-FGW Grid for XLE install fiberglass clear**

XLE system fiberglass grid for up to 16 x XLE181-FG/XLE191-FG, white

Order number **XLE-GRID-FGW | F.01U.286.121**

#### **XLCV-BGK-FGB Bottom grid hardware for XLD-FG/XLE-FG**

Bottom grid kit for XLD and XLE fiberglass (-FG) systems, black

Order number **XLCV-BGK-FGB | F.01U.287.221**

### **Represented by:**

**Germany:**  
Bosch Sicherheitssysteme GmbH  
Robert-Bosch-Ring 5  
85630 Grasbrunn  
Germany  
www.electrovoice.com

Bosch Security Systems, LLC  
12000 Portland Avenue South  
Burnsville MN 55337  
USA