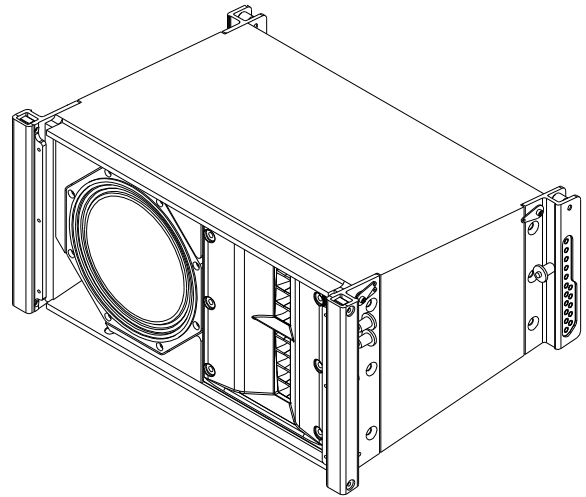




# XLE191-FG Fiberglass 2-Way, High-Output, Very Compact Line-Array Element

- Very Compact, Lightweight
- Simple, Quick Integrated Rigging
- 90° Horizontal Coverage
- Bi-Amp or Full-Range Operation
- Neodymium Transducers



The XLE191-FG is a 2-way using a single 8 inch neodymium LF transducer and two neodymium 2 inch voice coil compression drivers combining through 2 hydra plane wave generators into a 90° x 10° waveguide. The XLE191-FG can be used in Biamp or full-range modes using a sophisticated internal passive network. It is designed for use in arrays of four or more elements. The FG models are fully-weatherized and fiberglass-coated. The XLE191-FG delivers full bandwidth audio with precise, predictable coverage control. Integrated rigging with hinge points located correctly between array elements is simple to use and quickly provides uncompromised line array performance.

The XLVC weatherized family consists of two full-range systems with dual woofers, two full-range systems with single woofers and a subwoofer system. The dual-woofer versions include the XLD281-FG with a 120° horizontal coverage pattern and the XLD291-FG with a 90° horizontal coverage pattern. The single woofer versions include the XLE181-FG with a 120° horizontal coverage pattern and the XLE191-FG with a 90° horizontal coverage pattern. LAPS2 modeling software quickly provides array configurations and rigging information.

X-Line Very Compact weatherized models deliver unprecedented performance in outdoor venues in full exposure.

## Technical specifications

Frequency Response (-3dB):	90 Hz-18 kHz <sup>1</sup>
Frequency Range (-10 dB):	75 Hz-20 kHz <sup>1</sup>
Max Calculated SPL:	138 dB Cont., 144 dB Peak <sup>2</sup>
Horizontal Coverage:	90°
Vertical Coverage:	Array Dependant, Software Definable
Rigging:	Fully Captive Aluminum, 1° increments, 16 elements with 8 to 1 Safety Factor
LF Power Handling:	200W Cont., 800W Peak
HF Power Handling:	80W Cont., 320W Peak
LF to HF Crossover Frequency:	1760 Hz <sup>3</sup>
LF Passband:	1 x 8 inch DVN2080, 16 ohms

## 2 | XLE191-FG Fiberglass 2-Way, High-Output, Very Compact Line-Array Element

HF Passband:	2 x ND2S-8, 16 ohms
Connectors:	Gland nut with 30 ft cable
Enclosure:	13-ply birch plywood with fiberglass and EVCoat
Grille:	Stainless steel with powder coat paint and hydrophobic cloth
Environmental Specifications:	IEC 60529, IP55
Dimensions (H x W x D):	9.90 in x 20.30 in x 14.52 in (251 mm x 516 mm x 369 mm)
Net Weight:	38 lb (17.2 kg)
Shipping Weight:	41 lb (18.4 kg)

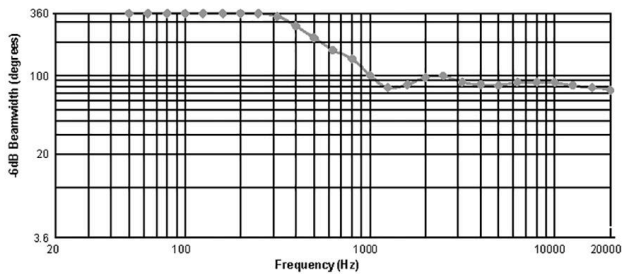
<sup>1</sup>Full Space Measurement of four (4) elements.

<sup>2</sup>Full Space Measurement of HF section of four (4) elements, SPL adjusted for 1 m distance.

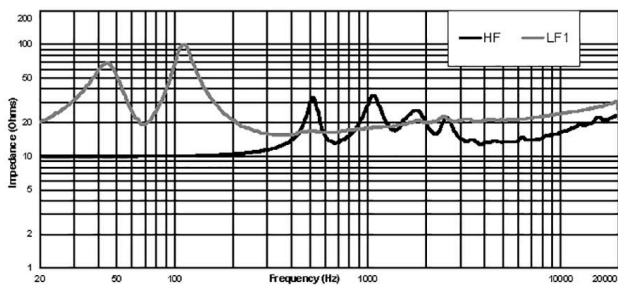
<sup>3</sup>Use EV signal processing or download presets from Electro-Voice website.

### System overview

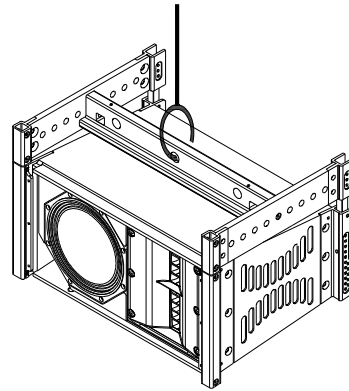
#### Beamwidth:



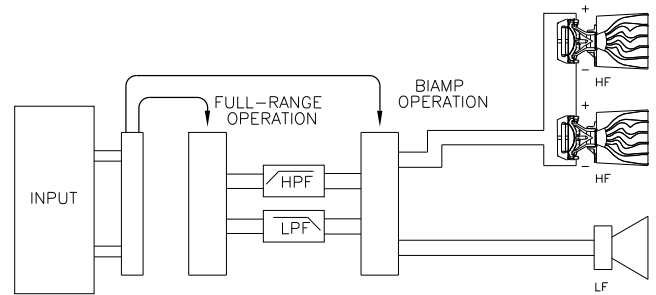
#### Impedance:



#### Grid Drawing:



#### Block Diagram:



#### Wiring Detail:

##### Biamp

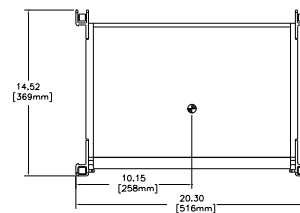
HF Blue +, Brown -

LF Red +, Black -

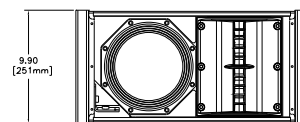
##### Full-Range

Passive Red+, Black -

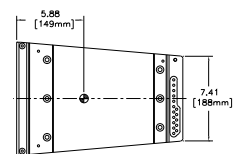
#### Dimensions:



Top



Front



Side

#### Compatible System Solutions, Install version:

XLE181-FG 120° Full-Range Line Array Element

XCS312-FG Triple 12 inch Cardioid Compact Controlled-Coverage Bass Element

**Compatible System Solutions, Electronics:**

---

CP3000S Precision Series Power Amplifier

---

CP4000S Precision Series Power Amplifier

---

TG5 Tour Grade Power Amplifier

---

TG7 Tour Grade Power Amplifier

---

Dx46 Digital Sound System Controller

---

N8000 NetMax 300 MIPS Digital Matrix Controller

---

## Ordering information

**XLE191-FG Fiberglass 2-Way, High-Output, Very Compact Line-Array Element Black**

XLE full-range cabinet, fiberglass, 1 x 8", 2 x ND2, full-range or bi-amp mode switchable, 10° vertical angle, 90° horizontal angle, integrated rigging system, black  
Order number **XLE191-FGB**

**XLE191-FG Fiberglass 2-Way, High-Output, Very Compact Line-Array Element White**

XLE full-range cabinet, fiberglass, 1 x 8", 2 x ND2, full-range or bi-amp mode switchable, 10° vertical angle, 90° horizontal angle, integrated rigging system, ocean liner white  
Order number **XLE191-FGW**

---

### Accessories

**XLE-GRID-FGB Grid Fiberglass Black**

XLE system fiberglass grid for up to 16 x XLE181-FG/XLE191-FG, black  
Order number **XLE-GRID-FGB**

**XLE-GRID-FGW Grid Fiberglass White**

XLE system fiberglass grid for up to 16 x XLE181-FG/XLE191-FG, white  
Order number **XLE-GRID-FGW**

**XLCV-BGK-FGB Fiberglass Bottom Grid Kit Black**

Bottom grid kit for XLD and XLE fiberglass (-FG) systems, black  
Order number **XLCV-BGK-FGB**

---

**Represented by:**

**Germany:**

Bosch Sicherheitssysteme GmbH  
Robert-Bosch-Ring 5  
85630 Grasbrunn  
Germany

Bosch Security Systems, Inc.  
12000 Portland Avenue South  
Burnsville MN 55337  
USA

[www.electrovoice.com](http://www.electrovoice.com)