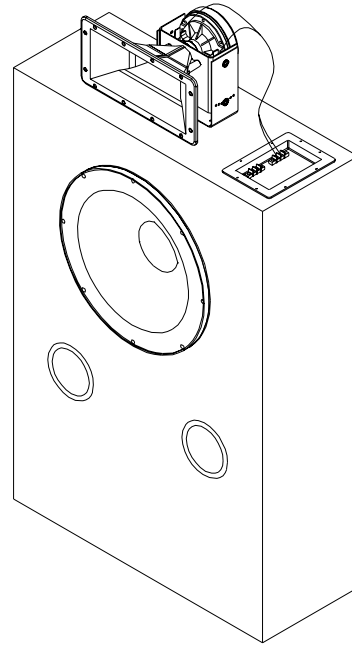


TS992M
15" Two-Way,
Full-Range Passive
Theater Stage System



Key Features:

- Only 10 in. (254 mm) deep overall
- For use in small to medium sized rooms up to 45,000 cu.ft (1,274 cu.m) with stage-to-last-row distances up to 40 ft (12 m)
- Digital Dynamics Capable - DH2T compression driver and EV-15G 15-in. woofer are highly resistant to long-term mechanical fatigue
- Wideband response - 32-18,000 Hz
- 90° x 50° coverage pattern
- Horn mounting bracket allows 180° of horizontal aiming and +/-15° of vertical aiming
- Input panel on top of LF system for convenient installation



General Description:

The Electro-Voice® TS992M is designed to provide high quality sound for small to medium size cinema applications. Its very shallow depth - only 10" (254 mm) deep, allows it to be used in when space behind the screen is very limited.

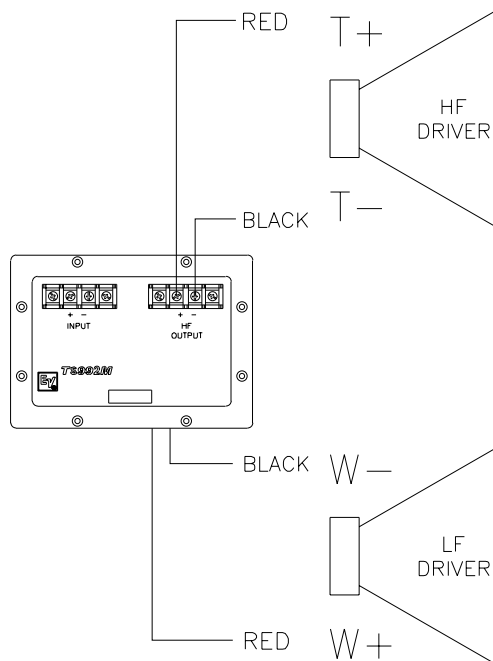
Electro-Voice has combined its Cinema expertise in design and components to produce a cinema system with exceptional performance in all areas: uniform dispersion, high efficiency, high power-handling capacity and wide, smooth frequency response. The TS992M features a single high-reliability, low distortion EV-15G 15" woofer with continuous power capacity of 400 watts. The DH2T compression driver with 2" titanium diaphragm provides natural sound and dialog intelligibly with the reliability required by demanding sound tracks. A 90° x 50° horn evenly covers the entire seating plane front to back, and side to side. A sophisticated crossover network completes the system design.

The TS992M is mechanically designed for easy installation, including convenient system connection and horn aiming. All components of the TS992M are low reflectivity black. The TS992M provides high performance for all film-sound formats in small to medium size rooms of up to 45,000 cu.ft (1,274 cu.m) in volume and stage-to-last-row distances of up to 12 m (40 ft).

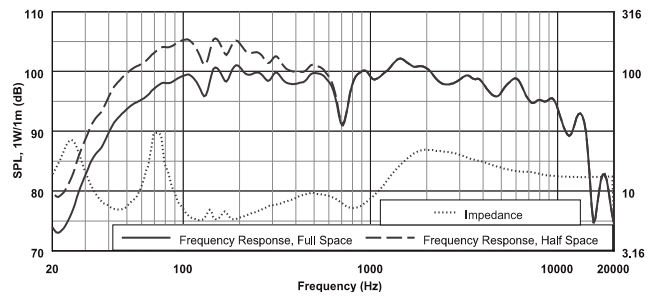
Technical Specifications:

Freq. Range (-10 dB):	38 Hz - 18 kHz
Freq. Response(+/-3dB):	58 Hz - 16 kHz
System Sensitivity:	100 dB, 1W/1m
Max calculated SPL:	130 dB
Power Rating:	400W
Horizontal Coverage:	90°
Vertical Coverage:	50°
Bracket Tilt:	15° Down, 15° Up
Directivity Index (DI):	10
Crossover:	1.3 kHz
LF Section	
Input Connectors:	Screw terminal barrier strip
Input Impedance:	8 Ohms
LF Transducer:	1 x EV15-G, 15" Dia.
Dimensions (H x W x D):	39.0" x 26.0" x 10.0" (991mm x 660mm x 254mm)
HF Section	
HF Transducer:	1 x DH2T
Dimensions (H x W x D):	8.25" x 12.0" x 9.0" (210mm x 305mm x 228.6mm)
Net Weight:	77 lbs (35 kg)
Shipping Weight:	87 lbs (40 kg)

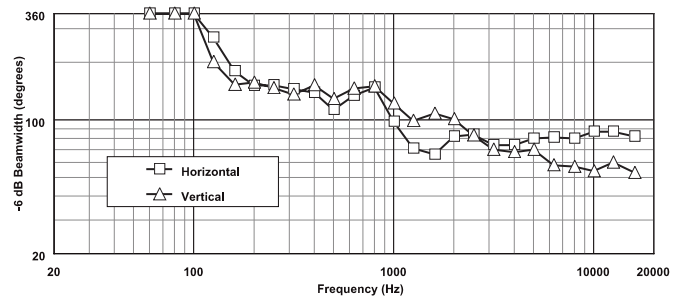
Block Diagram:



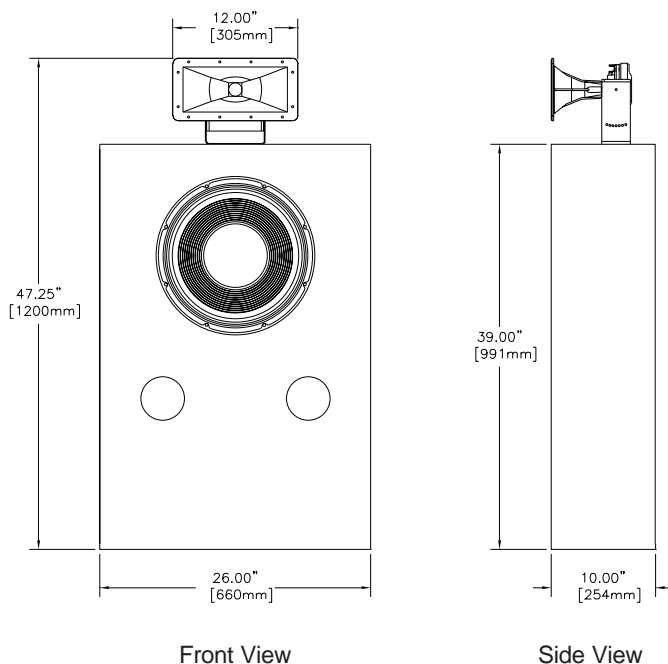
Frequency Response:



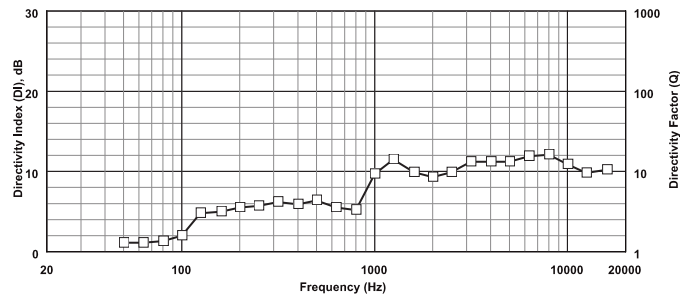
Beamwidth:



Dimension Drawings:



Directivity:



Performance Match:

- TL440M Subwoofer
- TL880DM Subwoofer
- CPS Series Amplifiers
- SL6.2M Surround Speaker

TS992M Part Number:

- TS992M -- 301431-001

Electro-Voice®

12000 Portland Avenue South, Burnsville, MN 55337
Phone: 952/884-4051, Fax: 952/884-0043

www.electrovoice.com

© Telex Communications, Inc. 3/2006
Part Number 38110-315 Rev B

U.S.A. and Canada only. For customer orders, contact Customer Service at:
800/392-3497 Fax: 800/955-6831

Europe, Africa, and Middle East only. For customer orders, contact Customer Service at:
+ 49 9421-706 0 Fax: + 49 9421-706 265

Other International locations. For customer orders, contact Customer Service at:
+ 1 952 884-4051 Fax: + 1 952 736-4212

For warranty repair or service information, contact the Service Repair department at:
800/685-2606

For technical assistance, contact Technical Support at: **866/78AUDIO**

Specifications subject to change without notice.