

SL8.2 Cinema System

SL8.2
8-Inch Two-Way
Cinema Surround
Loudspeaker System



Key Features:

- Integrated QuickSAM™ Heavy-Duty Strong-Arm Mounting Bracket Included
- Indoor/Outdoor Design - Meets IEC 529, IP44 & MIL810 Environmental Specs
- EV8L 8" Weatherized Cone High-Output LF Transducer
- DH2005 1" Exit True Compression Driver
- 100° x 100° Coverage Pattern
- 200W Continuous, 800W Peak Power Handling
- High Sensitivity, 121 dB Maximum SPL



General Description:

The Electro-Voice® SL8.2 is the new standard of no compromise audio performance and versatility in an easy to install, compact sound reinforcement package for a wide array of cinema and theater surround applications.

The high-tech enclosure uses injection-molded high-impact polystyrene to make the SL8.2 extremely durable. The enclosure geometry has been engineered to provide maximum rigidity and acoustic performance. The velocity compensated port design overcomes the limitation of many small cabinet loudspeakers and enables exceptional low-frequency response without vent noise.

SL8.2 installation is incredibly simple with the included QuickSAM™ mounting system. The QuickSAM™ is a unique, integrated mounting bracket which is virtually foolproof. It allows the installer to simply snap the speaker onto the bracket, then tighten it to the desired position. For array mounting, there is an optional array bracket kit available which allows multiple units to be mounted together for a variety of configurations.

The horn features 100° x 100° coverage for broad even dispersion needed in many distributed audio applications.

The SL8.2 molded polymer enclosure is inherently water resistant. The addition of a multilayer grille with hydrophobic cloth and weatherized components enable the SL8.2 to perform under many environmental conditions. An optional weatherized input panel cover with a gland nut is available for additional protection.

The SL8.2's long excursion, high output 8" woofer with a weatherized treated cone delivers smooth low-frequency performance with exceptional reliability. A sophisticated crossover network integrates it with the DH2005, a 1.25-inch voice coil true compression driver for maximum output with extended frequency response. Full-bandwidth overload protection is provided for reliable, long term operation without audible effect.

Technical Specifications:

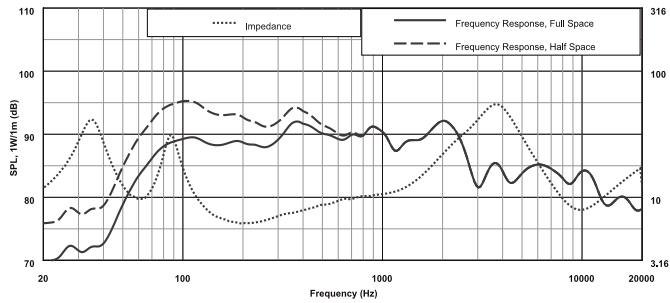
Freq. Response ¹ (-3 dB):	60 Hz - 20 kHz
Freq. Range ¹ (-10 dB):	48 Hz - 20 kHz
Rec. Hipass Frequency:	40 Hz
Axial Sensitivity ¹ :	92 dB (1W/1m)
Max Calculated SPL:	121 dB
Horizontal Coverage:	100°
Vertical Coverage:	100°
Rated System Power:	200W Cont. ² , 400W Prog., 800W Peak
LF Transducer:	EV8L, 8 in (203mm) Driver
HF Transducer:	DH2005, 1 in. (25.4mm) Exit Compression Driver
Crossover Frequency:	1.7 kHz
Nominal Impedance:	8 Ohms
Minimum Impedance:	6 Ohms
Connectors:	4-Pin Phoenix Connector
Enclosure Material:	High Impact Polymer
Suspension:	Integrated QuickSAM™ Heavy-Duty Strong-Arm Mounting Bracket
Grille:	Polyester Powder Coated, 18GA Galvanized Steel
Dim (H x W x D):	451mm x 282mm x 263mm (17.75" x 11.12" x 10.35")
Net Weight:	8.4 kg (18.5 lbs)
Shipping Weight:	10.2 kg (22.5 lbs)

¹ Half Space Measurement.

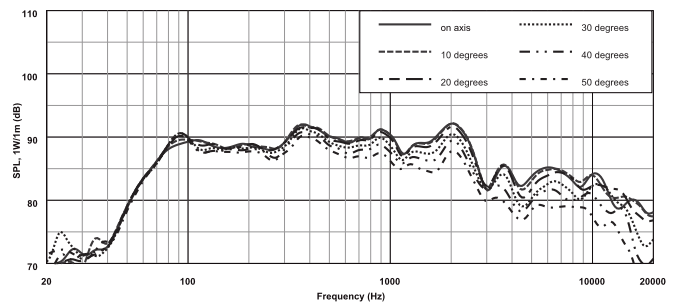
² IEC Pink Noise, 6 dB Crest Factor.

SL8.2 Full Range Loudspeaker

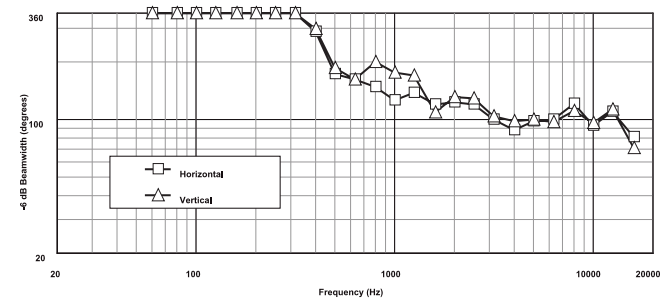
Frequency Response & Impedance:



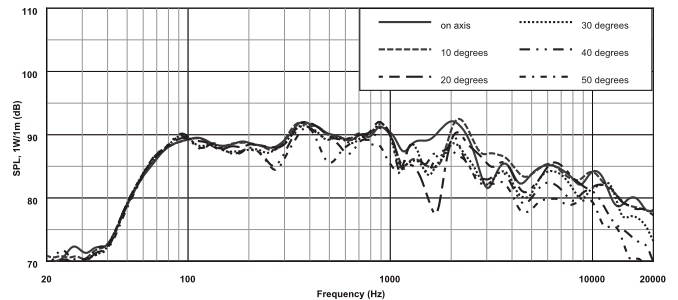
Horizontal Off Axis Frequency Response:



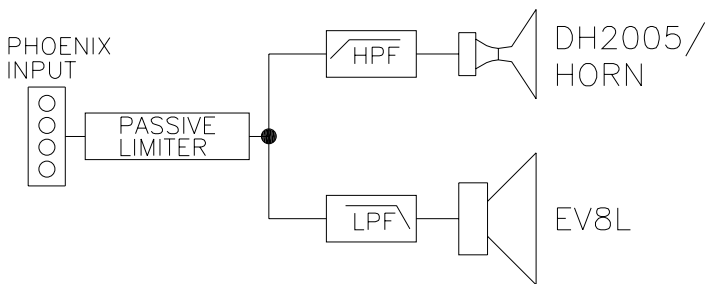
Beamwidth:



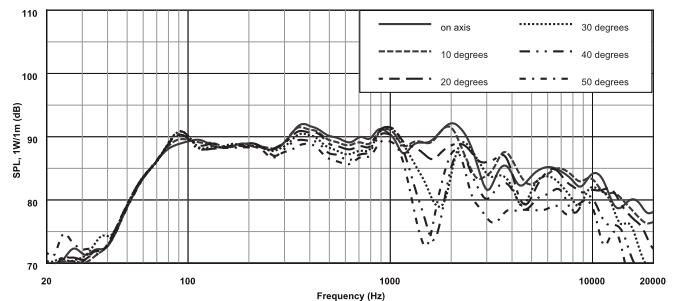
Vertical Off Axis Frequency Response (Up):



Block Diagram:

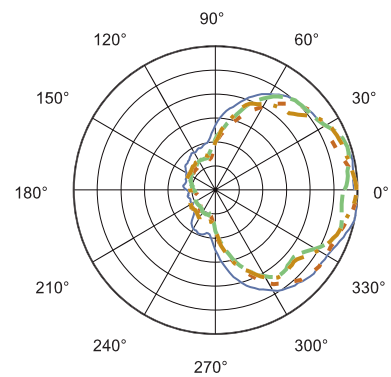
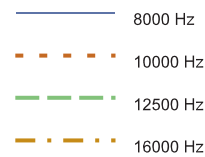
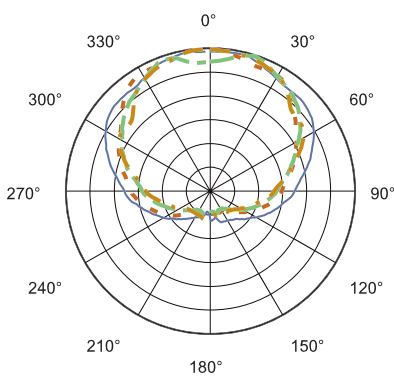
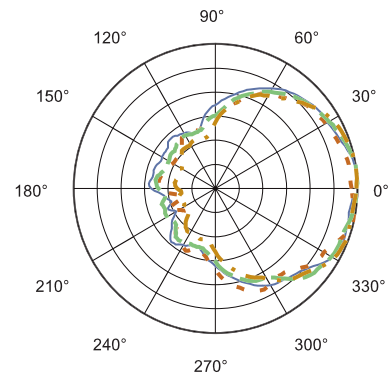
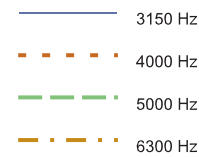
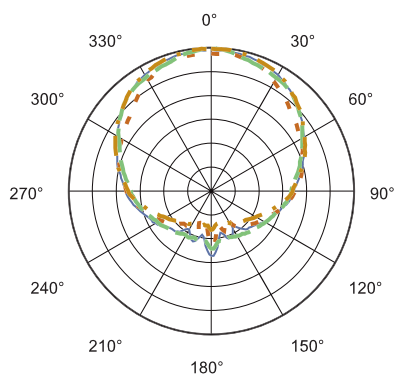
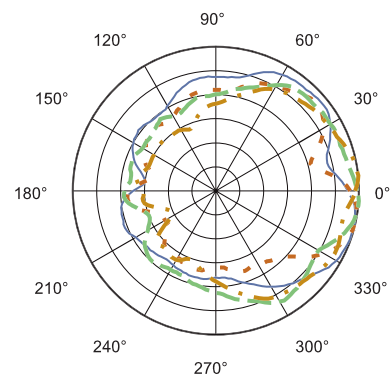
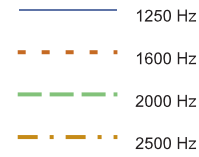
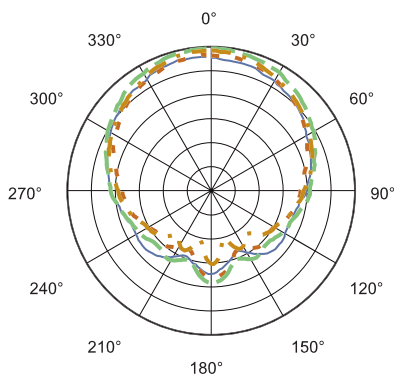
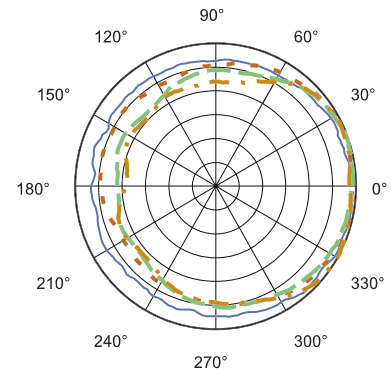
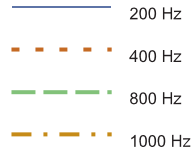
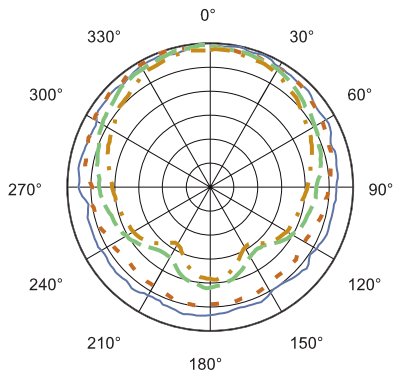


Vertical Off Axis Frequency Response (Down):



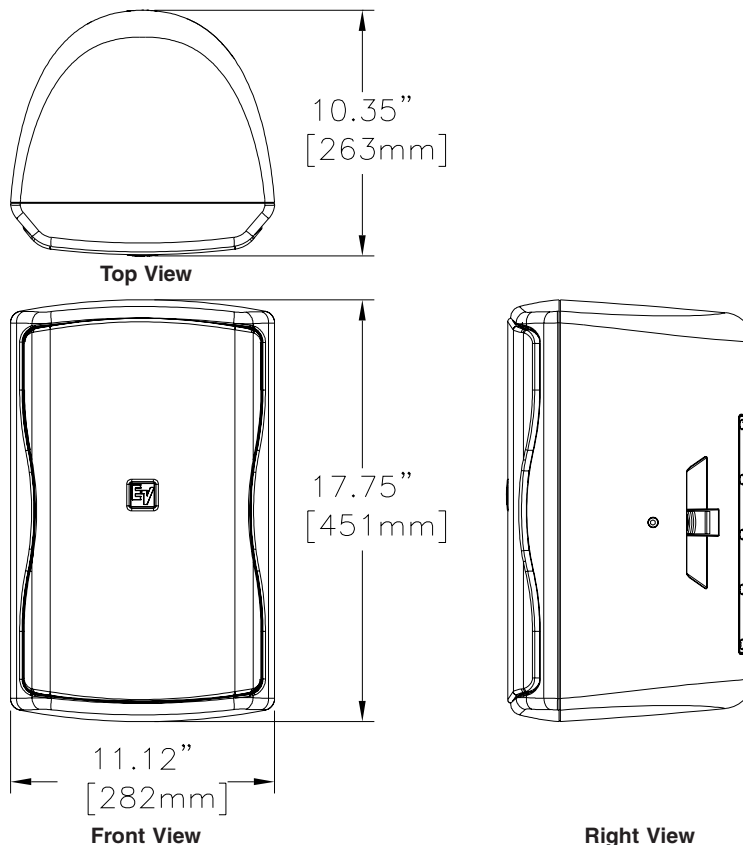
Horizontal 1/3 Octave Polars:

Vertical 1/3 Octave Polars:



Graph scales are 6 dB per division

Dimension Drawings:



Architectural and Engineering Specs:

The loudspeaker shall be a two-way system consisting of one 8" (102mm) low-frequency transducer, 1.25" titanium diaphragm true high-frequency compression driver, and frequency dividing network installed in a vented enclosure. The network shall include a full-range passive limiter for protection of both the low frequency and high frequency transducers. The high frequency compression transducer shall drive a horn to evenly cover a pattern of 100° by 100°. The enclosure shall be molded of high impact polystyrene.

The finish shall be a paintable black. The grille shall be zinc plated, powder coated for corrosion resistance, and equipped with both hydrophobic cloth and acoustic foam. The loudspeaker position shall be adjustable over a range of 100° horizontally and 35° vertically.

The support bracket shall be low profile and integral with the enclosure. The bracket shall allow for a quick snap fit mounting of the speaker enclosure for placement before securing. The speaker terminals shall include a 4 pin removable phoenix style connector to allow for signal pass through. The system shall be weather resistant to MIL Spec 810 and IEC 529 test conditions.

The loudspeaker system shall meet the following performance criteria: Power handling, 200-Watts long term program using IEC268-5 shaped pink noise; Frequency response, 48 Hz – 20 kHz (-10 dB from rated sensitivity); Pressure sensitivity, 92 dB at one watt, 60 Hz – 20 kHz at one meter; Impedance, 8 ohms nominal, 6 ohms minimum. The enclosure shall be 17.75" (451mm) high, 11.12" (282mm) wide, 10.35" (263mm) deep. Net weight shall be 18.5 lbs (8.4 kg).



CAUTION

This SL8.2 Loudspeaker should be suspended overhead only in accordance with the procedures and limitations specified in the *ZX1 Users Manual* and possible manual update notices. This system should be suspended with certified rigging hardware by an authorized rigging professional and in compliance with local, state, and federal overhead suspension ordinances.

SL8.2 Part Number

- 301853-003 - SL8.2, 100° x 100° Horn, Black Finish

Performance Match

- D170261 CPS2.8, 120V Power Amplifier, 2 x 800W

Accessories

- 301918-001 AB-ZX1i, Array Bracket Kit for 2 or 4 Systems, Black
- 301955-001 TC-ZX1i, Terminal Cover with Gland Nut



12000 Portland Avenue South, Burnsville, MN 55337

Phone: 952/884-4051, Fax: 952/884-0043

www.electrovoice.com

© Telex Communications, Inc. 9/2005

Part Number 38110-471 Rev. A

U.S.A. and Canada only. For customer orders, contact Customer Service at:

800/392-3497 Fax: 800/955-6831

Europe, Africa, and Middle East only. For customer orders, contact Customer Service at:

+ 49 9421-706 0 Fax: + 49 9421-706 265

Other International locations. For customer orders, contact Customer Service at:

+ 1 952 884-4051 Fax: + 1 952 736-4212

For warranty repair or service information, contact the Service Repair department at:

800/685-2606

For technical assistance, contact Technical Support at: **866/78AUDIO**

Specifications subject to change without notice.