

# TS940D/ TS940D-LX

**Assembly Instructions**  
Electro-Voice  
Theatre Sound System®

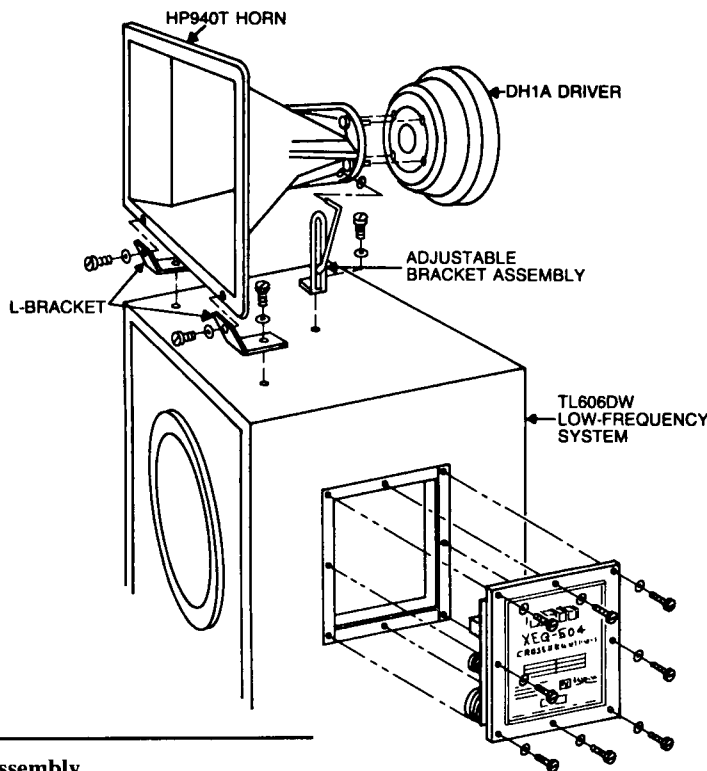


Figure 1—Assembly

## Assembly Instructions

1. Remove HP940T horn from its box and place face down (throat up).
2. Remove DH1A driver from its box and install studs (provided in box). Place on throat of horn.
3. Place a flat washer, lock washer and nut on each of the four studs. Finger tighten each bolt first, then snugly tighten each bolt, alternating from one side to the other in an "X" pattern until all nuts are snugly tightened.
4. Remove the TL606DW low-frequency system from its box, making sure the enclosure is right-side-up, with the input panel above center on the right side as you face the speaker cones.
5. There are six bolts in the top of the TL606DW enclosure. Remove the bolts indicated in Figure 2.
6. Open the HMK-1 horn mounting kit. The two metal L-brackets should be secured to the top of the TL606DW enclosure at the front edge, using two of the bolts previously removed. The adjustable bracket

should be mounted to the enclosure, top center, using the third bolt previously removed. This can be seen in Figures 1 and 3.

7. The horn/driver assembly should be placed on top of the enclosure. The adjustable bracket should be inserted into the hole provided in the horn and secured with the flat washer, lock washer and nut provided. See Figure 3.
8. The front of the horn should be secured to the enclosure by inserting a bolt through each of the L-brackets, then the horn. A flat washer, lock washer and nut should be used to secure it.
9. Double check all horn mounting hardware for tightness.

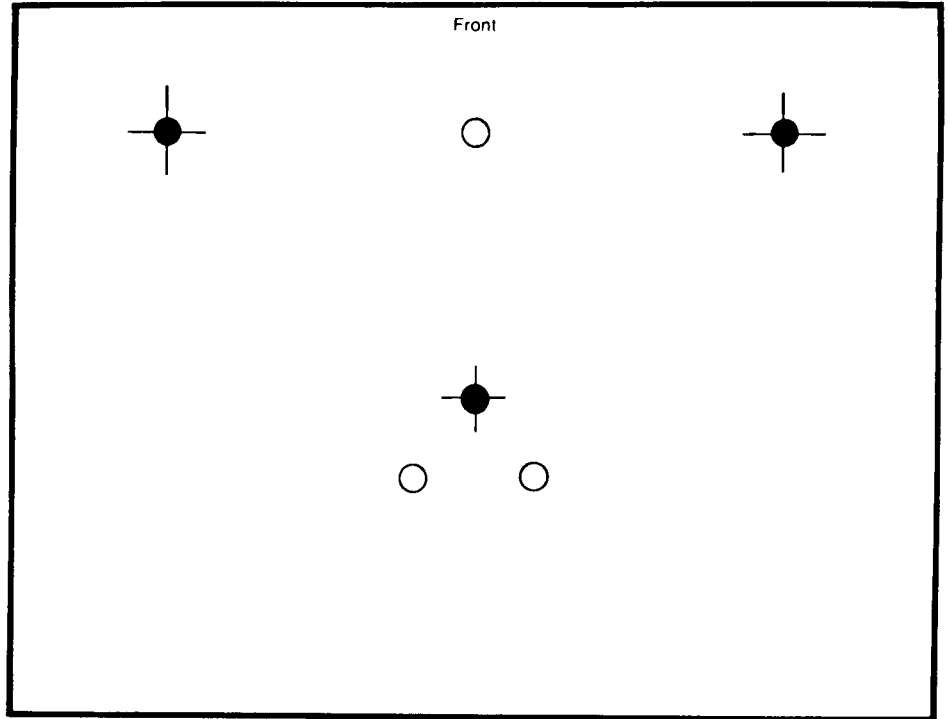
If you are assembling a TS940D-LX system, you are finished. All that is required is to connect the system to the amplifier and active crossover you are using. Be sure not to confuse high-frequency and low-frequency amplifier outputs when connecting loudspeakers.

If you are assembling a TS940D system, please continue...

10. Remove the TL606DW input panel and disconnect all wiring. Pliers may be required.
  11. Remove the XEQ-504 from the box. Connect the woofer wires to the appropriately marked terminals on the XEQ-504 and install on the TL606DW enclosure, where the input panel was previously located.
  12. Connect the XEQ-504 to the DH1A. Be sure that the (+) sign on the crossover is connected to the (+) on the driver.
- The system is now ready for placement and aiming.

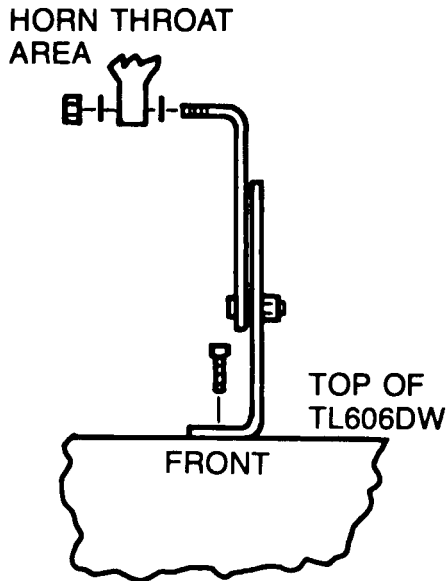
# TS940D/TS940D-LX Assembly Instructions

Figure 2—TL606DW – Top View  
(remove indicated bolts)



TS940D/TS940D-LX Assembly Instructions

Figure 3—Adjustable Bracket Assembly



## Electro-Voice®

600 Cecil Street, Buchanan, MI 49107

616/695-6831, 616/695-1304 Fax

©Telex Communications, Inc. 1998 • Litho in U.S.A.

Part Number 530808-9828