

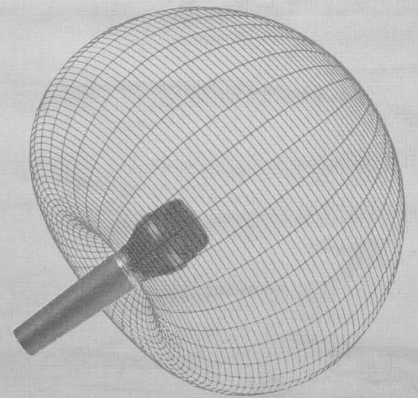
R E 3 6

N / D

*Like the family
of directional
microphones
that came
before it—
including
the classic
RE15, RE16,
and RE18—
the RE36N/D
has smooth,
wide-range
response
up close,
which provides
a high degree
of clarity
in vocal
applications.*

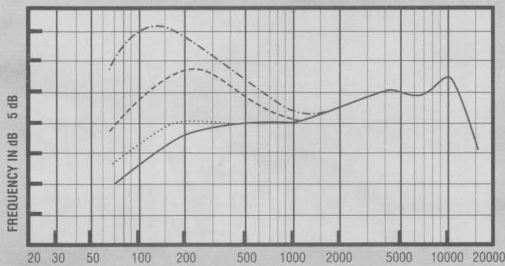


From the Power
of N/DYM®:

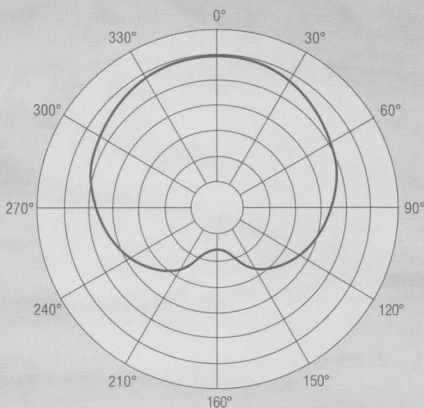


A unique
directional microphone
that delivers
high intelligibility
and presents
a low profile.

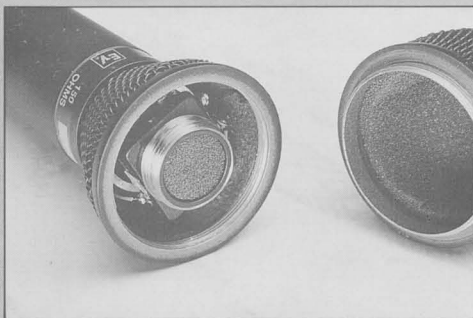
- Typical single-D "music mic" at 1/4 in.
- RE36N/D at 1/4 in.
- Typical single-D "music mic" in free field > 24 in.
- RE36N/D in free field > 24 in.



Reduced proximity effect gives consistent sound quality and a high degree of clarity when "working" the microphone close or far



The cardioid directional pattern, very uniform in the midrange, ensures high gain-before-feedback and minimum off-axis coloration



A hum-bucking coil reduces unwanted 60-Hz hum—caused by production lighting equipment, power transformers and other magnetic-field sources—by up to 25 dB

The RE36N/D is a dynamic cardioid microphone that meets the needs of audio/visual, field production (ENG/EFP), public address and special events applications—for sound reinforcement, broadcast and production. Its small size offers versatility as a podium, handheld or console microphone.

Electro-Voice, the pioneer of neodymium magnet technology in microphones (N/DYM®), incorporated neodymium into the RE36N/D to give increased sensitivity for its small size.

Advanced engineering gives the RE36N/D consistent sound clarity when the sound source moves in close or far away. Most of the bass boost (proximity effect) experienced when close miking with a traditional directional microphone has been eliminated. This preserves vocal intelligibility under difficult acoustic conditions and high background noise levels.

The RE36N/D employs DynaDamp™, a low-Q elastomeric polymer with extremely high energy-absorbing properties. The RE36N/D's vibration-isolation system provides a substantial reduction in handling and cable-transmission noise.

A two-stage Acoustifoam™ pop filter reduces both wind noise and vocal P-popping. The Memreflex™ grille screen resists dents from accidental drops.

The RE36N/D has EV's full two-year unconditional warranty.* The next time you need a microphone with high sound clarity, unique application flexibility and a very low profile, try the RE36N/D.

Specifications:	RE36N/D
Generating Element:	Dynamic
Frequency Response:	90-15,000 Hz
Polar Pattern:	Cardioid
Impedance:	150 ohms balanced
Sensitivity,	
Open-Circuit Voltage:	0.8 mV/pascal at 1,000 Hz
Power Level:	-63 dB at 1,000 Hz (0 dB = 1 mW/pascal)
Hum Sensitivity in a	
1-Millioersted Field, 60 Hz:	-126 dBm typical
Magnetic Circuit:	N/DYM® magnet in a nonwelded circuit
Polarity:	Pin 2 positive referenced to pin 3 with positive pressure on diaphragm
Case Material:	Aluminum and steel
Finish:	Semigloss black
Dimensions, Length:	136 mm (5.35 in.)
Maximum Diameter:	33.0 mm (1.30 in.)
Cable Supplied:	4.6-m (15-ft) two-conductor shielded rubber-jacketed black broadcast-type cable, with a Switchcraft A3F-type connector on the microphone end
Accessories Included:	311 stand adapter; 458 zippered protective vinyl carrying pouch
Net Weight:	125 g (4.4 oz)
Shipping Weight:	325 g (54.2 oz)

For more detailed information, please see the RE36N/D engineering data sheet available from Electro-Voice or your EV dealer.
*See engineering data sheet for complete warranty statement.

Electro-Voice® a MARK IV company

600 Cecil Street, Buchanan, Michigan 49107 Phone (616) 695-6831, FAX (616) 695-1304, (800/234-6831)

8234 Doe Avenue, Visalia, California 93291, Phone (209) 651-7777, FAX (209) 651-0164

Mark IV Audio Canada, Inc., 345 Herbert St., Gananoque, Ontario, Canada K7G 2V1, Phone (613) 382-2141, FAX (613) 382-7466

Mark IV Audio, A.G., Keltenstrasse 5, CH-2563 IPSACH, Switzerland, Phone (011) 41/32-51-6833, FAX (011) 41/32-51-1221

Mark IV Audio Japan Ltd., 2-5-60 Izumi, Suginami-ku, Tokyo, Japan 168, Phone (011) 81/3-3325-7900, FAX (011) 81/3-3325-7789

Mark IV Audio (Aust.) Pty. Ltd., Unit 24, Block C, Slough Business Park, Slough Ave., Silverwater, N.S.W. 2141, Australia, Phone (011) 61/2-648-3455, FAX (011) 61/2-648-5585

Mark IV Audio Hong Kong, Unit E & F, 21/F., Luk Hop Industrial Bldg., 8 Luk Hop St., San Po Kong, Kowloon, Hong Kong, Phone (011) 852-351-3628, FAX (011) 852-351-3329

