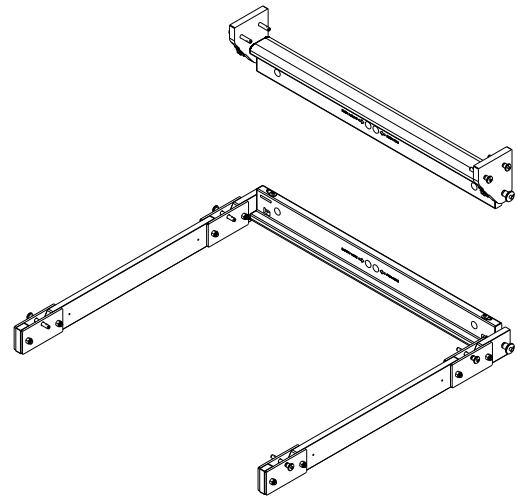


# X12-125FPU-BGK PULL UP GRID KIT FOR X12-125F

- Attaches to the bottom of X12-125F subwoofers
- Pulls up to a top grid for rear rigging compression
- Pulls back to a structural anchor point to achieve extreme downward angle deployments
- Modular design
- Lightweight aluminum construction

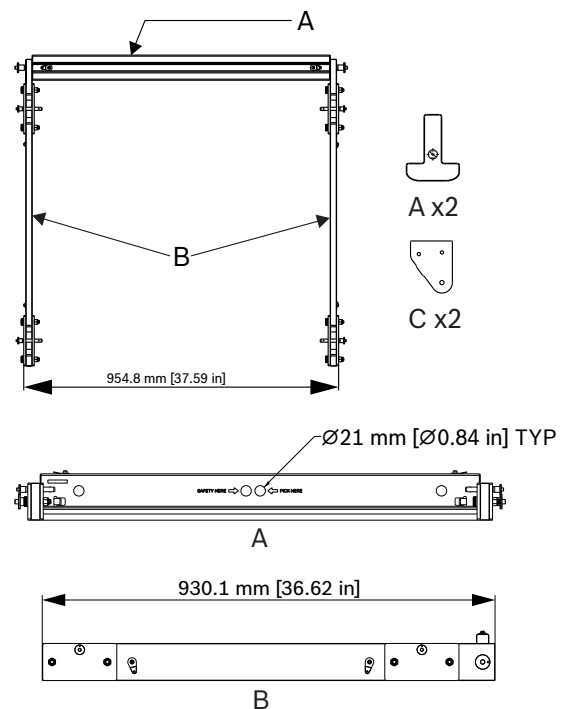


X12-125FPU-BGK pull-up bottom grid kit is required when the compression rigging method is used with an X12-125F flown subwoofer array. In large arrays of X12-125F subwoofers, the X12-125FPU-BGK pull-up bottom grid kit saves time during load-in and load-out. Model the array in LAPS 3.4 or higher before deployment to ensure that the configuration is valid and safe.

## Technical specifications

Color:	Black
Dimensions (H x W x D):	102 mm x 1011 mm x 930 mm (4.0 in x 39.8 in x 36.6 in)
Net weight:	68.2 lb (30.9 kg)
Shipping weight:	79.6 lb (6.1 kg)
<b>Compatible System Solutions:</b>	
X12-125F 15" flying subwoofer	

### Dimensions:



Letter	Description
A	Spreader bar assemblies
B	Pull-up side arm assemblies
C	Main grid rear pull-up link assemblies

**Caution!**



Electro-Voice loudspeakers and rigging accessories should be suspended overhead only in accordance with the procedures and limitations specified in the user documentation and installation manual. Electro-Voice products should be suspended with certified rigging hardware by an authorized rigging professional and in complete compliance with local, state, and federal overhead suspension ordinances.

For more information, see the X-LINE ADVANCE Systems Installation manual (F.01U.310.953).

## Parts included

Quantity	Component
2	Spreader bar assemblies
2	Pull-up side arm assemblies
2	Main grid rear pull-up link assemblies
1	Datasheet
1	Warranty card

## Ordering information

**X12-125FPU-BGK PULL UP GRID KIT FOR X12-125F**

Grid for X12-125F subwoofer, black

Order number **X12-125FPU-BGK**

**Represented by:**

**Germany:**  
Bosch Sicherheitssysteme GmbH  
Robert-Bosch-Ring 5  
85630 Grasbrunn  
Germany

Bosch Security Systems, Inc.  
12000 Portland Avenue South  
Burnsville MN 55337  
USA

[www.electrovoice.com](http://www.electrovoice.com)