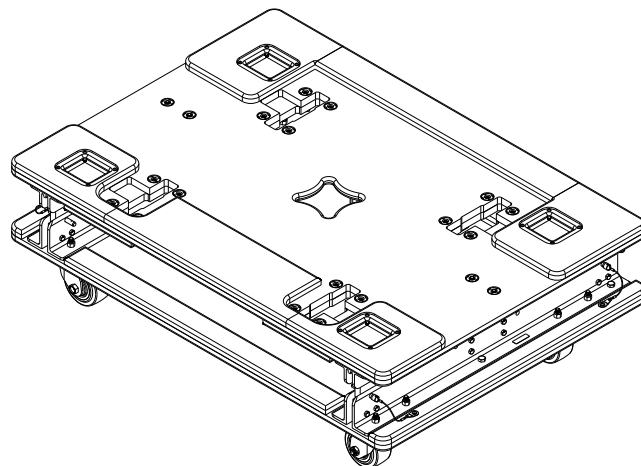




X12-125F-DOLLY DOLLY FOR X12-125F FLYING SUBWOOFERS

- Heavy duty wheels
- Dimensioned for efficient truck packing
- Accepts X12-125F-DAK ground stack adapter kit
- Works with X12-125F-DOK outrigger kit



The X2-125F-DOLLY transports one column of X12-125F subwoofers. The dolly accommodates two subwoofers facing forward or three subwoofers in forward-backward-forward cardioid configuration. X12-125F subwoofers lock to the dolly using their integrated rigging systems. No additional straps or tie-downs are necessary. The top cover provides additional protection for the loudspeakers and a flat surface to further aid truck pack efficiency. The X12-125F-DOLLY top cover is also pre-drilled to accept the X12-125F-DAK dolly ground stack adapter kit (sold separately), which is used to construct a mixed ground stack array with X1 or X2 full-range systems safely attached to the top of the dolly. For ground stack deployment on uneven surfaces, you can stabilize the dolly with the X12-125F-DOK dolly outrigger kit. Model the array in Electro-Voice line-array configuration software before deployment to ensure that the configuration is valid and safe.

Technical specifications

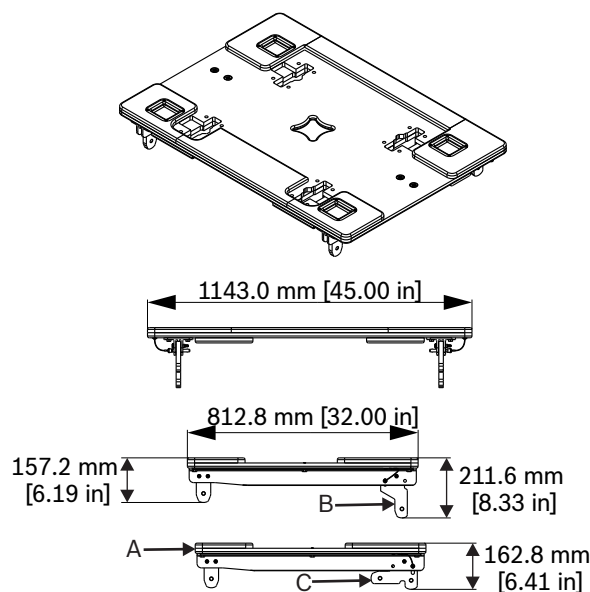
Color: Black

Dimensions (H x W x D): 492.5 mm (19.4 in) x 1143.0 mm (45.0 in) x 812.8 mm (32.0 in)

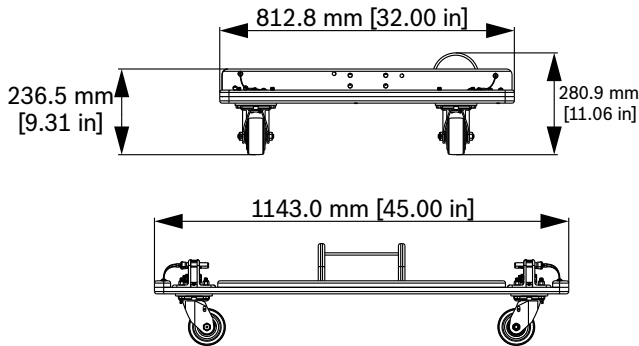
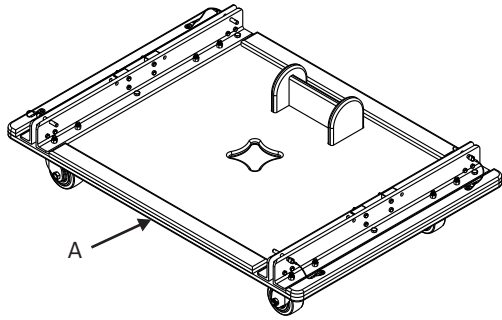
Net weight: 127.3 lb (57.7 kg)

Shipping weight: 143.4 lb (65.0 kg)

Dimensions:



X12-125F-DOLLY top dimensions



X12-125F-DOLLY bottom dimensions

Letter	Description
A	Front
B	Rear link bar in transport position
C	Rear link bar in storage position

Compatible System Solutions:

X12-125F 2X15" flying subwoofer

For more information, see the X-LINE ADVANCE System Rigging & Transport Installation manual (F. 01U.310.953).

Parts included

Quantity	Component
1	Dolly top
1	Dolly bottom
1	Datasheet
1	Warranty card

Ordering information

X12-125F-DOLLY DOLLY FOR X12-125F FLYING SUBWOOFERS

Dolly for X12-125F flying subwoofer, black
Order number **X12-125F-DOLLY**

Accessories

X12-125F-DAK Adapter kit, X12-125F-DOLLY to X1/X2

Dolly adapter kit is used to create a mixed ground stack array when used with the X12-125F-DOLLY dolly, black
Order number **X12-125F-DAK**

X12-125F-DOK OUTRIGGER KIT FOR X12-125F-DOLLY

Outrigger kit for X12-125F-DOLLY, red
Order number **X12-125F-DOK**

Represented by:

Germany:
Bosch Sicherheitssysteme GmbH
Robert-Bosch-Ring 5
85630 Grasbrunn
Germany

Bosch Security Systems, Inc.
12000 Portland Avenue South
Burnsville MN 55337
USA

www.electrovoice.com