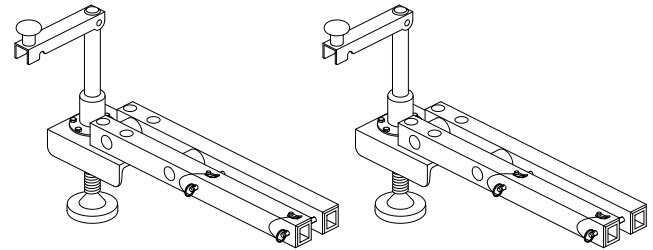


X12-125F-DOK OUTRIGGER KIT FOR X12-125F-DOLLY

- Heavy duty outrigger for use with X12-125F-DOLLY
- Stabilizes a ground-stacked array on an X12-125F-DOLLY
- Quick and easy installation - no tools required
- Installs to front or rear depending on the stack's center of gravity
- X12-125F-DOLLY can be wheeled into place with outriggers pre-installed

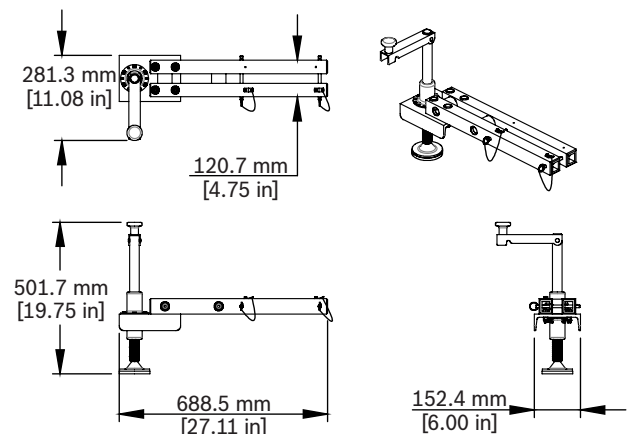


The X12-125F-DOK dolly outrigger kit stabilizes an X12-125F-DOLLY that is supporting a ground-stacked array. The outriggers attach easily without tools and all required hardware is included. The X12-125F-DOK consists of heavy-duty outrigger assemblies that mount quickly to a loaded dolly and can be oriented to the front or rear to provide the necessary stabilization. The X12-125F dolly accommodates two X12-125F-DOK outrigger kits to level the array on uneven surfaces. Model the array in LAPS 3.4 or higher before deployment to ensure that the configuration is valid and safe.

Technical specifications

Color:	Red
Dimensions (H x W x D):	465 mm x 152 mm x 843 mm (18.3 in x 6.0 in x 33.2 in)
Net weight:	8.50 kg (18.75 lb)
Shipping weight (pair):	21.50 kg (47.50 lb)

Dimensions:



Compatible System Solutions:

X12-125F-DOLLY dolly for X12-125F flying subwoofer

For more information, see the X-LINE ADVANCE Systems Installation manual (F.01U.310.953).

Parts included

Quantity	Component
2	Dolly outrigger assemblies
1	Datasheet
1	Warranty card

Ordering information

X12-125F-DOK OUTRIGGER KIT FOR X12-125F-DOLLY
Outrigger kit for X12-125F-DOLLY, black
Order number **X12-125F-DOK**

Represented by:

Germany:
Bosch Sicherheitssysteme GmbH
Robert-Bosch-Ring 5
85630 Grasbrunn
Germany

Bosch Security Systems, Inc.
12000 Portland Avenue South
Burnsville MN 55337
USA

www.electrovoice.com