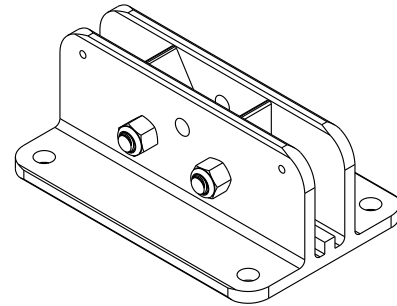


X12-125F-DAK Adapter kit, X12-125F-DOLLY to X1/X2

- Used to create a ground stack with X12-125F subwoofers and X1 or X2 full-range speakers
- Ready for installation on top of the X12-125F-DOLLY
- Installation hardware included
- May be left in place for transportation



The X12-125F-DAK dolly adapter kit is designed to work with the X12-125F-DOLLY to create a mixed ground stack of X12-125F subwoofers and full-range X1 or X2 speakers. This would typically be an array of three full-range loudspeakers and two subwoofers on one X12-125F-DOLLY. For safety and stability of the ground stacked mixed array, it may be necessary to use one or two X12-125F-DOK outrigger kits (sold separately).

Model the array in Electro-Voice line-array configuration software before deployment to ensure that the configuration is valid and safe.

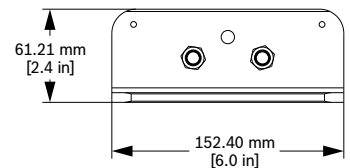
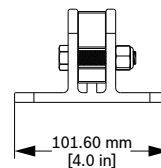
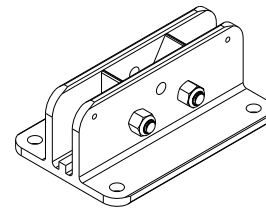
Technical specifications

Color:	Black
Dimensions (H x W x D):	61.21 mm x 101.60 mm x 152.40 mm (2.4 in x 4.0 in x 6.0 in)
Net weight:	8.0 lb (3.6 kg)
Shipping weight:	9.5 lb (4.3 kg)

Compatible System Solutions:

X12-125F-DOLLY dolly for X12-125F flying subwoofer

Dimensions:



For more information, see the X-LINE ADVANCE System Rigging & Transport Installation manual (F. 01U.310.953).

Parts included

Quantity	Component
4	X12-125F dolly ground stack blocks
16	Bolts, 3/8-16 x 2 1/4"
16	Washers for 3/8" bolt

Quantity	Component
16	Nylon locking nuts, 3/8-16
4	Pin and lanyard assemblies
4	Socket head screws, #10-24 x 3/8"
1	Datasheet
1	Warranty card

Ordering information

X12-125F-DAK Adapter kit, X12-125F-DOLLY to X1/X2

Dolly adapter kit is used to create a mixed ground stack array when used with the X12-125F-DOLLY dolly, black

Order number **X12-125F-DAK**

Represented by:

Germany:
Bosch Sicherheitssysteme GmbH
Robert-Bosch-Ring 5
85630 Grasbrunn
Germany

Bosch Security Systems, Inc.
12000 Portland Avenue South
Burnsville MN 55337
USA

www.electrovoice.com