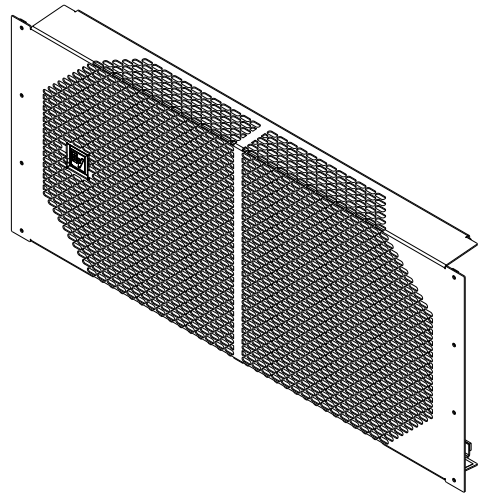


X12-125F-CGK GRILL KIT X12-125F AS CARDIOID ELEMENT

- Improves cardioid array aesthetics
- Reinforced design

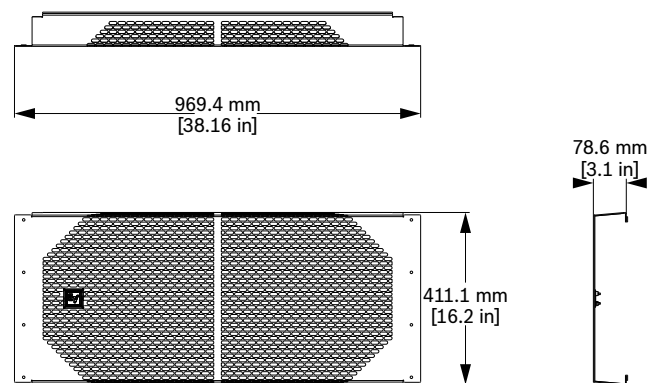


The X12-125F-CGK cardioid grille kit is designed to be mounted on a rear-facing X12-125F subwoofer when used as a cardioid steering element. The cardioid grille kit covers the rear of the subwoofer (facing the audience) providing a consistent visual look and improved subwoofer array aesthetics. X12-125F-CGK cardioid grille kit includes one grille and eight screws.

Technical specifications

Color:	Black
Dimensions (H x W x D):	411 x mm x 969 mm x 79 mm (16.2 in x 38.2 in x 3.1 in)
Net weight:	10.9 lb (4.9 kg)
Shipping weight:	17.2 lb (7.8 kg)

Dimensions:



Compatible System Solutions:

X12-125F 2X15" flying subwoofer

For more information, see the X-LINE ADVANCE System Rigging & Transport Installation manual (F.01U.310.953).

Parts included

Quantity	Component
1	Cardioid grille
8	Screws
1	Datasheet
1	Warranty card

Ordering information

X12-125F-CGK GRILL KIT X12-125F AS CARDIOID ELEMENT

The cardioid grille kit is used to cover the rear of X12-125F subwoofers in a cardioid array that face the audience, black

Order number **X12-125F-CGK**

Represented by:

Germany:
Bosch Sicherheitssysteme GmbH
Robert-Bosch-Ring 5
85630 Grasbrunn
Germany

Bosch Security Systems, Inc.
12000 Portland Avenue South
Burnsville MN 55337
USA

www.electrovoice.com