

EVID-C4.2LP-G2 Ceiling speaker 4" low-profile white

EVID Ceiling G2

- SwiftLock mounting system for quick, safe, and reliable installation
- Bezel-less design with easy-attach magnetic grille
- Front baffle wattage tap adjustment
- Includes tile rail and C-Ring for easy installation
- UL 1480A, UL 2043, CSA C22.2 No. 205 and IEC 62368-1 certified



The Electro-Voice EVID-C4.2LP-G2 is a complete 4-inch coaxial two-way loudspeaker that offers excellent sound quality and outstanding reliability with first-class aesthetics. It includes the SwiftLock mounting system for quick and easy installations that are fast and reliable without compromising on safety.

The loudspeaker features a point-source design to improve off-axis response and overall uniform coverage. The EVID-C4.2LP-G2 utilizes a transformer that offers a selection of 1.9 (70-V only), 3.8, 7.5, 15 or 30 watts delivered to the loudspeaker system using either 70-V or 100-V lines, or 8-ohm bypass. Selection is via a convenient switch on the front baffle. The perforated grille is finished in semi-gloss white powder-coated enamel. The baffle is constructed from UL 94V-0 rated ABS. The rear enclosure is constructed from heavy gauge coated steel. The low-profile enclosure makes it easy to mount in very tight spaces. A side terminal-cover provides access to a 4-pin terminal block that allows direct connection to the speaker with 12-gauge and 3.3 mm²-wire and provides pass through to additional speakers.

A mounting ring and a tile bridge are included for safe suspension of the EVID-C4.2LP-G2 ceiling systems in a drop ceiling that uses mineral wool, or other fiber-based ceiling tiles.

The wide range of EVID ceiling speakers has been designed to work together as a complete system in a variety of different ceiling constructions, and to be used in combination with other EVID surface-mount and in-wall speakers

Parts included

Quantity	Component
2	Ceiling loudspeaker
2	Loudspeaker connection cover (installed)
2	Magnetic grille
4	Ceiling tile rail
2	C-ring
4	Screw
1	Cutout template
2	Paint cover
1	Quick installation guide

Technical specifications

Frequency range (-10 dB) (Hz) ¹	80 Hz – 20,000 Hz
Maximum SPL (continuous) (dB) ²	106 dB
Maximum SPL (peak) (dB) ²	112 dB
Sensitivity (1 W, 1 m) ³	88 dB SPL 1 W, 1 m
Coverage angle conical (°)	130°
Power handling (continuous) (W) ⁴	70 W
Power handling (peak) (W) ⁴	280 W
Long term power handling (continuous) (W) ⁵	50 W
Long term power handling (peak) (W) ⁵	200 W
Nominal impedance (Ω) (Low Z)	8 Ω
Recommended high pass (Hz) ⁶	70 Hz
Transformer taps 70 V line (W)	30 W; 15 W; 7.5 W; 3.75 W; 1.88 W
Transformer taps 100 V line (W)	30 W; 15 W; 7.5 W; 3.75 W
LF transducer size (in)	4 in

HF transducer size (in)	0.75 in
Material	Steel
Grille material	Powder coated steel
Connector type	4-pin Euroblock Input + Pass through
Wire size (AWG)	12AWG (maximum)
Wire diameter (mm ²)	3.3 mm ² (maximum)
Color	White; Customized colors
Color (RAL)	RAL 9003 Signal white
Mounting cutout (in)	10.70 in
Mounting cutout (mm)	272 mm
Dimensions (Ø x D) (in)	11.9 in x 3.6 in
Dimensions (Ø x D) (mm)	302 mm x 91 mm
Mounting depth (in)	3.4 in
Mounting depth (mm)	86 mm
Ceiling thickness (in)	0.5 in - 1.5 in
Ceiling thickness (mm)	12.5 mm - 38 mm
Weight (lb) ⁷	6.80 lb
Weight (kg) ⁷	3.10 kg
Shipping weight (lb) ⁸	22 lb
Shipping weight (kg) ⁸	10 kg
IP rating	IP34
Weatherization	Indoor
Operating temperature (°F)	32 °F – 122 °F
Operating temperature (°C)	0 °C – 50 °C
Safety agency ratings	UL 1480A, safe for use in air-handling spaces per UL 2043, CSA C22.2 No. 205 certified, IEC 62638

¹Half-space (in-ceiling mounted)

²Calculated

³Half-space (1 W/1 m)

⁴Continuous pink noise (2 hours)

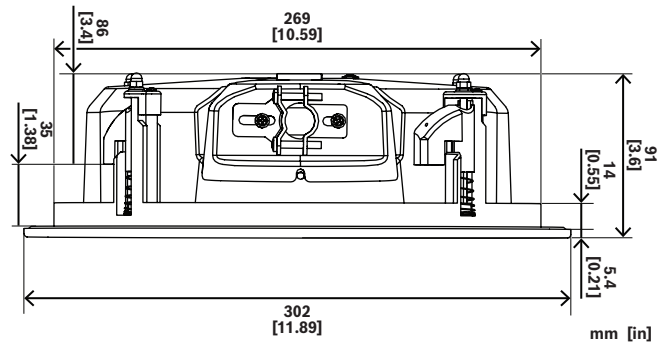
⁵Continuous pink noise (100 hours)

⁶24 dB/octave

⁷Single product

⁸Pair of products

Dimensions



Installation note

This is a professional product that should be installed, used and maintained by trained professionals only.

Ordering information

EVID-C4.2LP-G2 Ceiling speaker 4" low-profile white

Lower profile C4.2 version, packaged in pairs, white

Order number **EVID-C4.2LP-G2 | F.01U.417.780**

Z.01X.002.048

Accessories

C-RG-M-BK Round magnetic grille, medium, black

Powder-coated steel grille, magnetic, with safety tether, sold in pack of 6 units

Order number **C-RG-M-BK | F.01U.420.259**

C-SQ-M-WH1 Square magnetic grille, medium, white

Powder-coated steel grille, magnetic, with safety tether, sold in pack of 6 units

Order number **C-SQ-M-WH1 | F.01U.420.261**



<https://www.electrovoice.com>