

EVID-C6.2LP-G2 Ceiling speaker 6.5" low-profile white

EVID Ceiling G2

- SwiftLock mounting system for quick, safe, and reliable installation
- Bezel-less design with easy-attach magnetic grille
- Front baffle wattage tap adjustment
- Includes tile rail and C-Ring for easy installation
- UL 1480A, UL 2043, CSA C22.2 No. 205 and IEC 62368-1 certified



The Electro-Voice EVID-C6.2LP-G2 is a complete 6.5-inch coaxial two-way loudspeaker that offers excellent sound quality and outstanding reliability with first-class aesthetics. It includes the SwiftLock mounting system for quick and easy installations that are fast and reliable without compromising on safety.

The loudspeaker features a point-source design to improve off-axis response and overall uniform coverage.

The EVID-C6.2LP-G2 utilizes a transformer that offers a selection of 1.9 (70-V only), 3.8, 7.5, 15 or 30 watts delivered to the loudspeaker system using either 70-V or 100-V lines, or 8-ohm bypass. Selection is via a convenient switch on the front baffle. The perforated grille is finished in semi-gloss white powder-coated enamel. The baffle is constructed from UL 94V-0 rated ABS. The rear enclosure is constructed from heavy gauge coated steel. The low-profile enclosure makes it easy to mount in very tight spaces. A side terminal-cover provides access to a 4-pin terminal block that allows direct connection to the speaker with 12-gauge and 3.3 mm²-wire and provides pass through to additional speakers.

A mounting ring and a tile bridge are included for safe suspension of the EVID-C6.2LP-G2 ceiling systems in a drop ceiling that uses mineral wool, or other fiber-based ceiling tiles.

The wide range of EVID ceiling speakers has been designed to work together as a complete system in a variety of different ceiling constructions, and to be used in combination with other EVID surface-mount and in-wall speakers

Parts included

| Quantity | Component |
|----------|--|
| 2 | Ceiling loudspeaker |
| 2 | Loudspeaker connection cover (installed) |
| 2 | Magnetic grille |
| 4 | Ceiling tile rail |
| 2 | C-ring |
| 4 | Screw |
| 1 | Cutout template |
| 2 | Paint cover |
| 1 | Quick installation guide |

Technical specifications

| | |
|--|-----------------------------------|
| Frequency range (-10 dB) (Hz) ¹ | 60 Hz – 20,000 Hz |
| Maximum SPL (continuous) (dB) ² | 109 dB |
| Maximum SPL (peak) (dB) ² | 115 dB |
| Sensitivity (1 W, 1 m) ³ | 90 dB SPL 1 W, 1 m |
| Coverage angle conical (°) | 110° |
| Power handling (continuous) (W) ⁴ | 80 W |
| Power handling (peak) (W) ⁴ | 320 W |
| Long term power handling (continuous) (W) ⁵ | 70 W |
| Long term power handling (peak) (W) ⁵ | 280 W |
| Nominal impedance (Ω) (Low Z) | 8 Ω |
| Recommended high pass (Hz) ⁶ | 60 Hz |
| Transformer taps 70 V line (W) | 30 W; 15 W; 7.5 W; 3.75 W; 1.88 W |
| Transformer taps 100 V line (W) | 30 W; 15 W; 7.5 W; 3.75 W |
| LF transducer size (in) | 6 in |

| | |
|-----------------------------------|---|
| HF transducer size (in) | 1 in |
| Material | Steel |
| Grille material | Powder coated steel |
| Connector type | 4-pin Euroblock Input + Pass through |
| Wire size (AWG) | 12AWG (maximum) |
| Wire diameter (mm ²) | 3.3 m ² (maximum) |
| Color | White; Customized colors |
| Color (RAL) | RAL 9003 Signal white |
| Mounting cutout (in) | 12.70 in |
| Mounting cutout (mm) | 322 mm |
| Dimensions (Ø x D) (in) | 13.9 in x 5.3 in |
| Dimensions (Ø x D) (mm) | 353 mm x 133.1 mm |
| Mounting depth (in) | 4.8 in |
| Mounting depth (mm) | 122 mm |
| Ceiling thickness (in) | 0.5 in - 1.5 in |
| Ceiling thickness (mm) | 12.5 mm - 38 mm |
| Weight (lb) ⁷ | 9.90 lb |
| Weight (kg) ⁷ | 4.50 kg |
| Shipping weight (lb) ⁸ | 31 lb |
| Shipping weight (kg) ⁸ | 14 kg |
| IP rating | IP34 |
| Weatherization | Indoor |
| Operating temperature (°F) | 32 °F – 122 °F |
| Operating temperature (°C) | 0 °C – 50 °C |
| Safety agency ratings | UL 1480A, safe for use in air-handling spaces per UL 2043, CSA C22.2 No. 205 certified, IEC 62638 |

¹Half-space (in-ceiling mounted)

²Calculated

³Half-space (1 W/1 m)

⁴Continuous pink noise (2 hours)

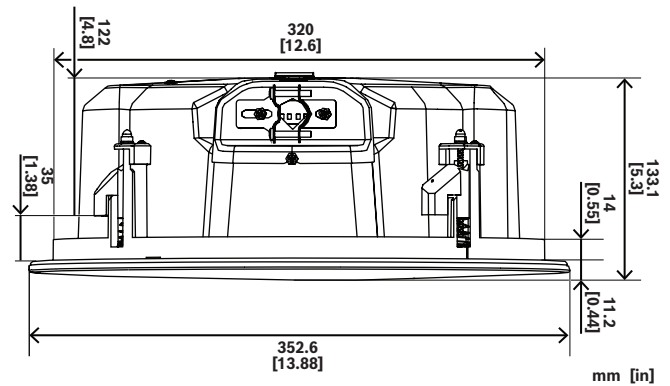
⁵Continuous pink noise (100 hours)

⁶24 dB/octave

⁷Single product

⁸Pair of products

Dimensions



Installation note

This is a professional product that should be installed, used and maintained by trained professionals only.

Ordering information

EVID-C6.2LP-G2 Ceiling speaker 6.5" low-profile white

Lower profile C6.2 version, packaged in pairs, white

Order number EVID-C6.2LP-G2 | F.01U.417.782

Z.01X.002.050

Accessories

C-RG-L-BK Round magnetic grille, large, black

Powder-coated steel grille, magnetic, with safety tether, sold in pack of 6 units

Order number C-RG-L-BK | F.01U.420.260



<https://www.electrovoice.com>