

Safety

The safety factor is the ratio of the **ultimate break strength** divided by the **working load limit**. The ultimate break strength represents the force at which a part will structurally fail. The working load limit is the maximum load that the user shall apply. The safety factor provides a margin of safety above the working-load limit to accommodate normal dynamic loading and normal wear.

The use of mounting configurations other than recommended by Electro-Voice in this manual are at the risk of the user.

Warning!

Suspending any object is potentially dangerous and should only be attempted by individuals who have a thorough knowledge of the techniques and regulations of suspending objects overhead. Electro-Voice strongly recommends that loudspeakers be suspended taking into account all current national, federal, state, and local laws and regulations. It is the responsibility of the installer to ensure all loudspeakers are safely installed in accordance with all such requirements. When loudspeakers are suspended, Electro-Voice strongly recommends the system be inspected at least once per year or as laws and regulations require. If any sign of weakness or damage is detected, remedial action should be taken immediately. The user is responsible for making sure the wall, ceiling, or structure is capable of supporting all objects suspended overhead. Any hardware used to suspend a loudspeaker not associated with Electro-Voice is the responsibility of others.



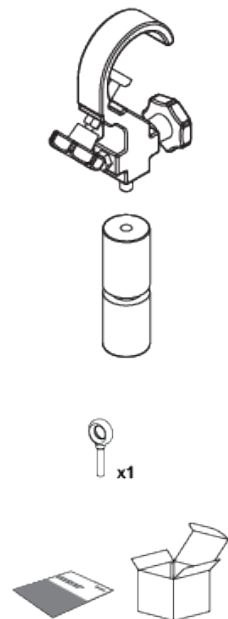
Prior to use, inspect the suspension points and associated hardware for any cracks, deformations, broken welds, corrosion, missing or damaged components which could reduce the suspension points strength. Replace any damaged hardware. Never exceed the limitations or maximum recommended load intended for the suspension points. As an added safety measure, it is suggested the user install an extra suspension point back to the building structural supports. This redundant safety point should have as little slack as possible (less than one inch is preferable). Prior to each use, inspect the loudspeaker enclosures for any cracks, deformations, missing or damaged components, which could reduce enclosure strength. Replace any loudspeaker systems that are damaged or missing hardware.

Warranty information

For information on warranty periods and after sales service, please visit: www.electrovoice.com/warranty

Parts included

Make sure that all parts are included and not damaged. If the packaging or any parts are damaged, contact your shipper. If any parts are missing, contact your Sales or Customer Service Representative.



Quantity	Component
1	Truss clamp
1	Pole mount adapter
1	M6 eyebolt
1	Quick installation guide

Installation

Thank you for choosing TCA-ZX1-LB accessory. This manual describes how to install the truss clamp adapter with ZX1 and 8-inch ZLX-G2 full-range loudspeaker systems.

The TCA-ZX1-LB is used to mount a ZX1, or 8-inch ZLX-G2 full-range loudspeaker to a pole, or truss. It allows for rotation (or panning) and locking of the position.

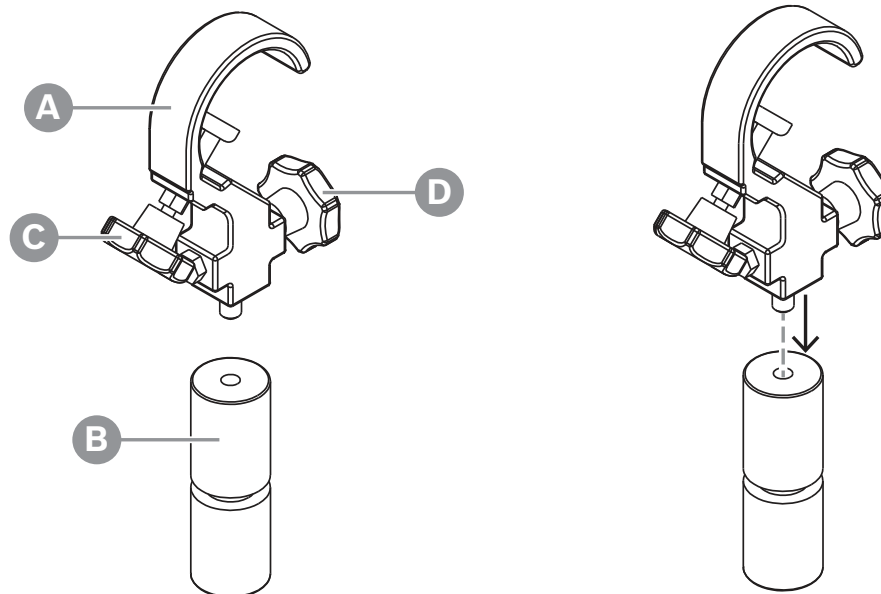
Warning!

Always mount the truss clamp adapter in a vertical orientation to horizontal trusses. Do not mount the truss clamp adapter in a tilted or upside down orientation. Do not mount the truss clamp adapter to vertical trusses.



Warning!

The maximum recommended load is 26.5 lb (12 kg).

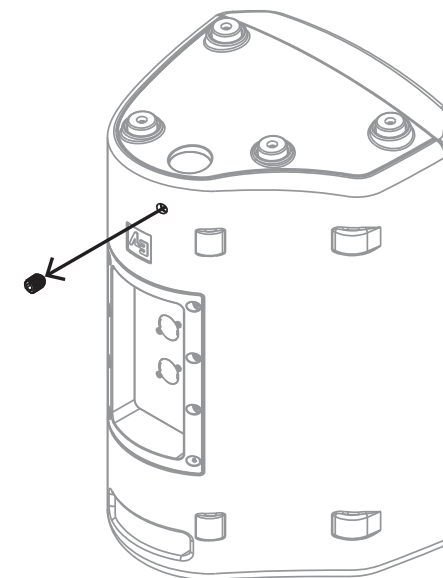


A	Truss clamp
B	Pole mount adapter
C	Clamping knob
D	Pan-locking knob

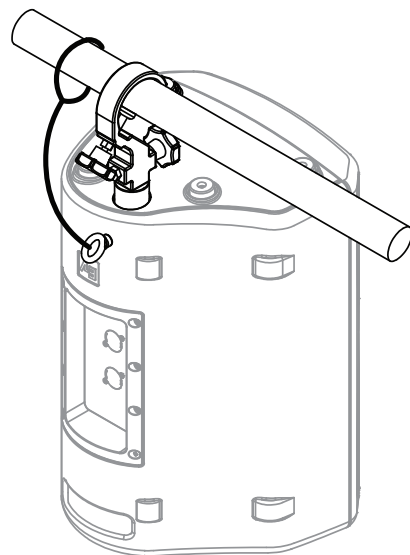
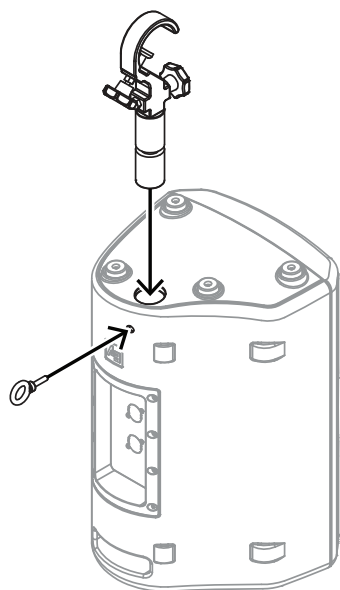
To install the TCA-ZX1-LB:

1. Loosen the pan-locking knob.
2. Tighten the bolt on the opposite side of the pan-locking knob.
3. Tighten the pan-locking knob.
4. Remove the nut from the truss clamp and keep the washer.
5. Screw and tighten the pole mount adapter onto the truss clamp.

6. Turn the loudspeaker enclosure upside down, and remove the setscrew from the back of the pole cup.



7. Insert the truss clamp and pole mount adapter into the pole cup on the loudspeaker.
8. Screw the M6 eyebolt into the back of the pole cup. Ensure that the M6 eyebolt is located in the groove of the pole mount adapter properly by pulling on the truss clamp.
9. Tighten the M6 eyebolt.

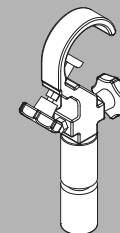


Technical data

	TCA-ZX1-LB Truss clamp adapter for ZX1, ZLX 8"
Color	Black
Dimensions (H x W x D) (in)	5.90 in x 5.70 in x 3.30 in
Dimensions (H x W x D) (mm)	151 mm x 144 mm x 85 mm
Pipe outer diameter (in)	1.5 - 2 in
Pipe outer diameter (mm)	38 - 51 mm
Weight (lb)	1.40 lb
Weight (kg)	0.64 kg
Shipping weight (lb)	1.60 lb
Shipping weight (kg)	0.72 kg

Truss clamp adapter for ZX1, ZLX 8"

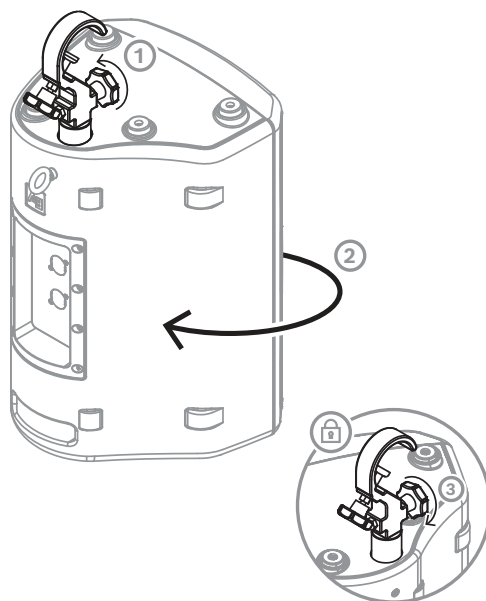
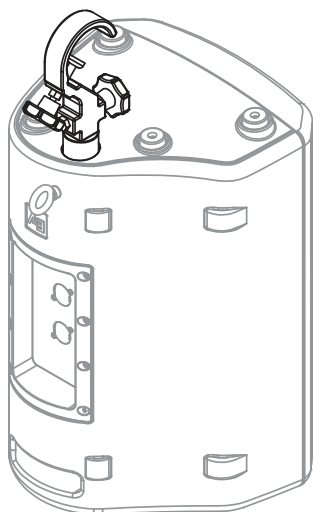
TCA-ZX1-LB



Quick installation guide

To rotate (pan) the loudspeaker:

1. Loosen the pan-locking knob.
2. Rotate (pan) the loudspeaker to the desired angle.
3. Tighten the pan-locking knob to lock the loudspeaker in the rotated position.



10. Attach a safety cable (not included) to the M6 eye-bolt and truss as a safety precaution.

11. Mount the truss clamp to the truss and securely tighten the clamp using the clamping knob.



Bosch Security Systems, LLC

130 Perinton Parkway
Fairport, NY 14450
USA

www.electrovoice.com

© Bosch Security Systems, LLC, 2024

EU importer:

Bosch Sicherheitssysteme GmbH

Robert-Bosch-Platz 1
70839 Gerlingen
Germany

© Bosch Sicherheitssysteme GmbH,
2024

2024-08 | 01 | F.01U.430.880 | 202408301030