

Tilt-Angle Extender Bar

The X-Line Very Compact Tilt-Angle Extender Bar features a rigging attachment position to allow a single column composed of an X-Line Very Compact Grid and Loudspeaker Array to be flown and tilted to obtain desired sound coverage. The X-Line Very Compact Tilt-Angle Extender Bar offers up to 18 different angle positions either in declination or inclination depending on how the bar is positioned on the grid.

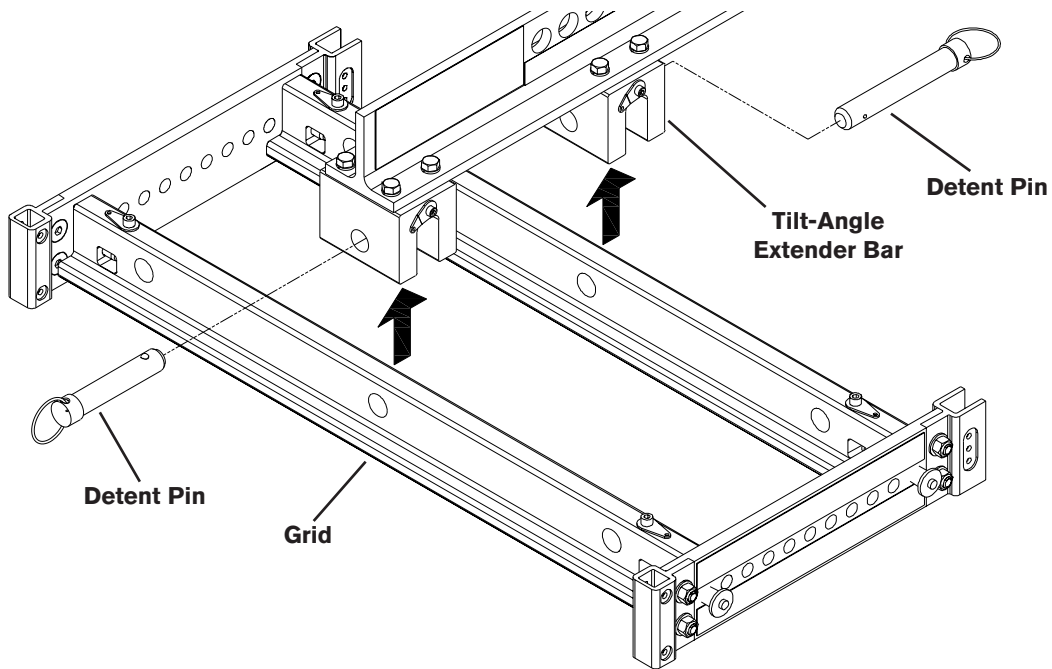


Figure 1:
Attaching Grid to Tilt-Angle Extender Bar

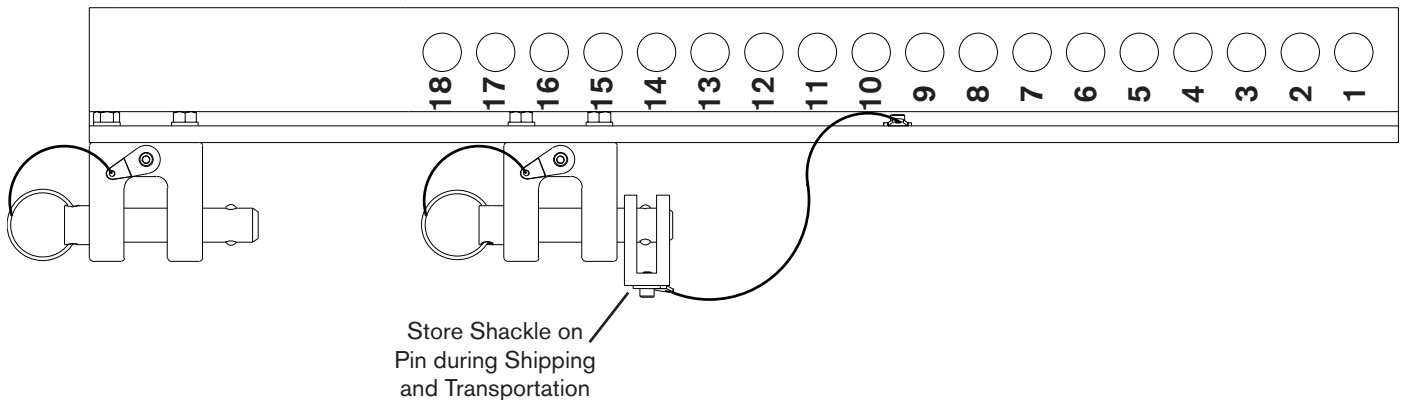


Figure 2:
Tilt-Angle Extender Bar Shipping/Transport Configuration

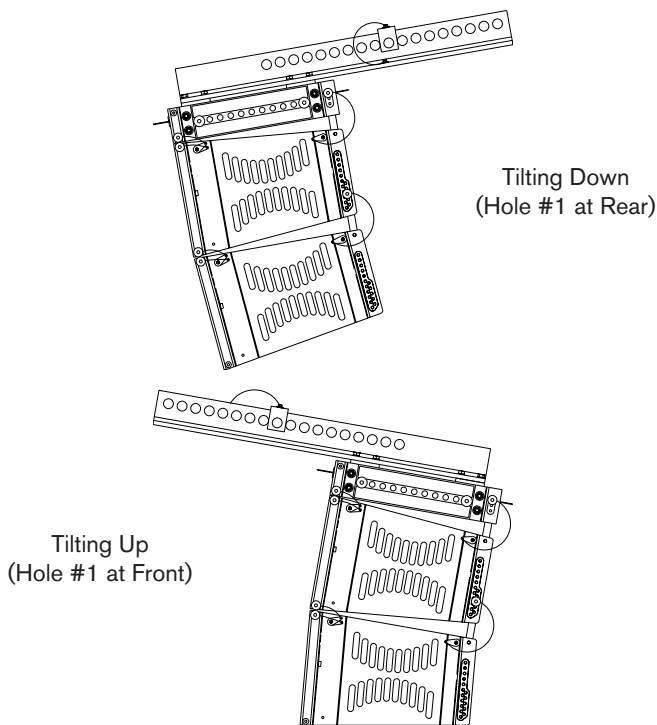


Figure 3:

Tilt-Angle Extender Bar Declination and Inclination with Attached Grid and Loudspeakers

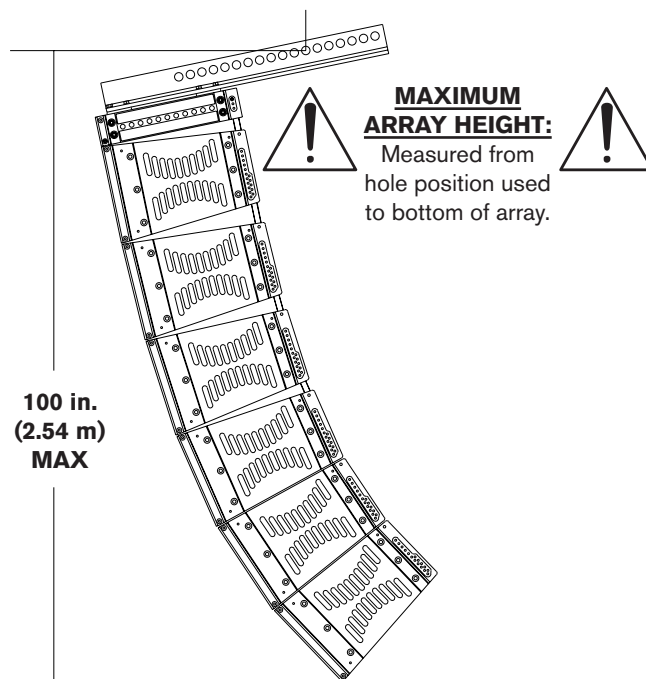
Simplified Rigging-Rating Guidelines

1. These simplified rigging-rating guidelines provide ratings for typical arrays based on the:
 - A. The total weight of the grid and all enclosures suspended below the XLVC-TAE.
 - B. The pick-up hole on the XLVC-TAE.
 - C. The total height of the array from the pick-up hole in the XLVC-TAE to the bottom of the bottom loudspeaker.
 - D. The assumption that one pick-up point will be used.

Determining the forces throughout an array requires complex calculations. These guidelines eliminate the need for weight-distribution calculations by using conservative working-load ratings. Other array configurations may be permissible – Consult the XLVC Users Guide and LAPS Software.

2. Never exceed the weight limit for any XLVC-TAE pick-up hole.
3. Never exceed the height limit for any array using the XLVC-TAE.
4. Make sure that the two quick-release pins that secure the spreader bars on the grid to the XLVC-TAE are fully locked.
5. Do not remove any bolts or disassemble the XLVC-TAE.
6. Only use Electro-Voice rigging hardware.
7. Only suspend using the XLVC-Series grids.
8. Read the XLVC Users Guide before suspending any loud speakers overhead.
9. All non-Electro-Voice hardware is the responsibility of others.

Simplified Rigging Structural Ratings



MAXIMUM ARRAY WEIGHT XLVC GRID AND ALL BOXES BELOW	
Hole Positions	Maximum Allowable Weight of Array
1-2	400 lbs (181 kg)
3-4	480 lbs (218 kg)
5-6	560 lbs (254 kg)
7-18	600 lbs (272 kg)

TYPICAL ARRAY LIMITS MAXIMUM NUMBER OF XLVC BOXES			
Hole Positions	XLD281/ XLD291	XLE181/ XLE191	XS212
1-2	8	9	4
3-4	9	10	5
5-6	10	12	6
7-18	12	12	6

Electro-Voice®

12000 Portland Avenue South, Burnsville, MN 55337
Phone: 952/884-4051, Fax: 952/884-0043

www.electrovoice.com

© Bosch Communications Systems 11/2007

Part Number LIT000119 Rev A

U.S.A. and Canada only. For customer orders, contact Customer Service at: 800/392-3497 Fax: 800/955-6831

Europe, Africa, and Middle East only. For customer orders, contact Customer Service at: + 49 9421-706 0 Fax: + 49 9421-706 265

Other International locations. For customer orders, Contact Customer Service at: + 1 952 884-4051 Fax: + 1 952 887-9212

For warranty repair or service information, contact the Service Repair department at: 800/685-2606

For technical assistance, contact Technical Support at: 866/78AUDIO

Specifications subject to change without notice.