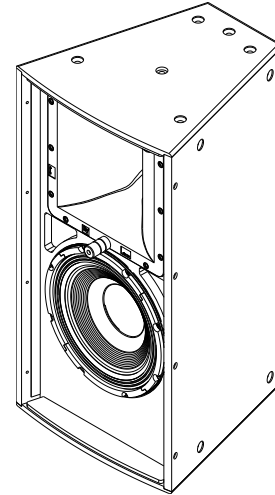


EVF-1122D/99 Premium arrayable point-source 12" loudspeaker

- 12-inch arrayable two-way point-source loudspeaker
- Rotatable constant directivity waveguide
- 97 dB sensitivity, 131 dB maximum SPL
- System rating: 600 W continuous, 2400 W peak
- Partially-weatherized PI and fully-weatherized FG versions available with gland nut and stainless-steel grille



The Electro-Voice EVF-1122D/99 is a high-power, two-way loudspeaker system that can be used in a variety of applications where high-quality sound reinforcement is required in a compact, lightweight package.

The EVF-1122D/99 utilizes the DH7N, a high-output 3" titanium compression driver, coupled to a Constant Directivity 90° x 90° waveguide. The DVX3121A 12" woofer was developed using FEA optimization for motor, suspension, and electrical design to ensure very low distortion, high efficiency, and maximum intelligibility at high SPL. The crossover uses steep, 24 dB per octave slopes with equalization for very smooth response in the vocal range, linear off-axis response, and an HF protection circuit for long-term reliability. The EVF-1122D/99's features make it ideal for many fixed-install applications. The trapezoidal enclosure is constructed of weather-resistant birch, and coated with EVCoat for maximum protection from the elements. The unique acoustic and rigging design allows for vertical and horizontal arrays to be built using any combination of loudspeakers from the entire EVF and EVH series. With seven horn patterns to choose from, along with an assortment of low-frequency and subwoofer loudspeakers, you have the tools to maximize flexibility of system design, no matter what the application and budget. The innovative input panel provides a choice of Phoenix-style connector (included in all standard models) or the ability to add a dual NL4-type connector cover plate or gland-nut cover plate (for weatherizing applications). An externally accessible jumper selects passive or active operation. An available 70.7/100-V transformer kit may be easily mounted to the input panel for use in distributed systems. All these features

give you the flexibility to address a large range of venues, quickly and precisely supporting customer requirements with fewer items in inventory.

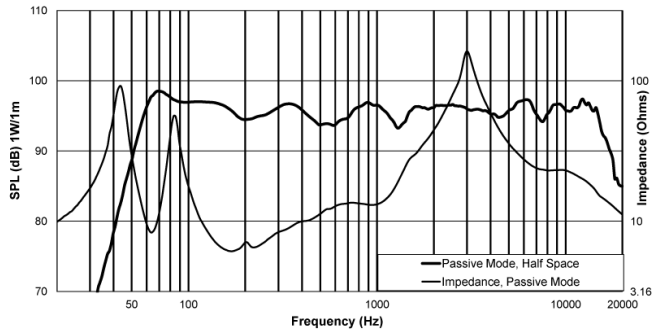
Technical specifications

Frequency response (-3 dB): 57 Hz - 18 kHz ¹
Frequency range (-10 dB): 49 Hz - 21 kHz ¹
Rotatable coverage: 90° x 90°
Rec. high-pass frequency: 65 Hz
Passive crossover frequency: 1300 Hz
Axial sensitivity: 97 dB (1 W/1 m) ¹
Max. calculated SPL: 131 dB ¹
Passive power handling: 600 W continuous, 2400 W peak ²
Impedance: 8 ohms (nominal), 6.0 ohms (min.)
LF transducer - DVX3121A, 12 in (305 mm) driver
LF axial sensitivity: 98 dB (1 W/1 m) ⁴
LF max. calculated SPL: 131 dB
LF power handling: 500 W continuous, 2000 W peak ³
LF impedance: 8 ohms (nominal), 7.2 ohms (min.)
HF transducer - DH7N, 3 in (76 mm) diaphragm compression driver
HF axial sensitivity: 110 dB (1 W/1 m) ⁴
HF max. calculated SPL: 135 dB
HF power handling: 75 W continuous, 300 W peak ³
HF impedance: 8 ohms (nominal), 6.0 ohms (min.)

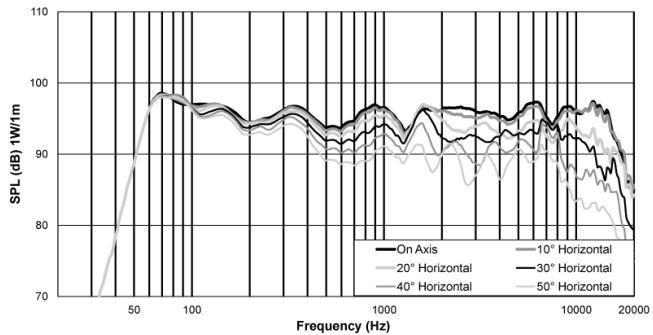
Connectors:	Dual four-pin 10 AWG Phoenix/Euro Block screw-terminals PI version: CDG dual-gland-nut input panel cover included
Enclosure:	13-ply weather-resistant birch with EVCoat
Grille:	16 GA powder-coated galvaneal with rotatable logo PI version: Stainless steel with hydrophobic cloth
Environmental:	IEC 60529 IP55 for PI version
Suspension:	(22) M10 threaded suspension points
Dimensions (H x W x D):	30.26 in x 16.00 in x 16.27 in (768.6 mm x 406.3 mm x 413.3 mm)
Net weight:	65.5 lb (29.7 kg)
Shipping weight:	75.8 lb (34.4 kg)

- ¹Half-space measurement.
- ²EIA RS-426A, tested for eight hours.
- ³AES 2-1984, tested for eight hours.
- ⁴Arithmetic averages, 300 - 1,300 Hz (LF) and 1,300 - 5,000 Hz (HF).

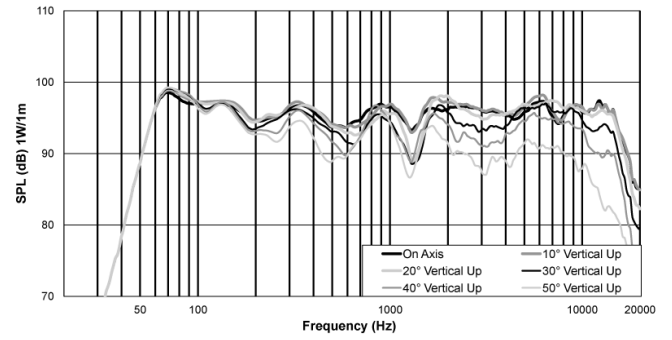
Frequency Response & Impedance:



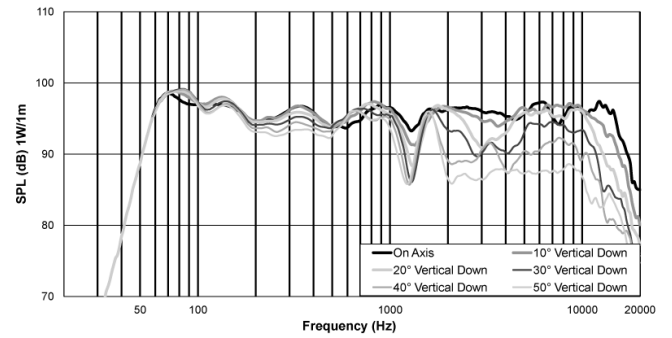
Horizontal Off-Axis Frequency Response:



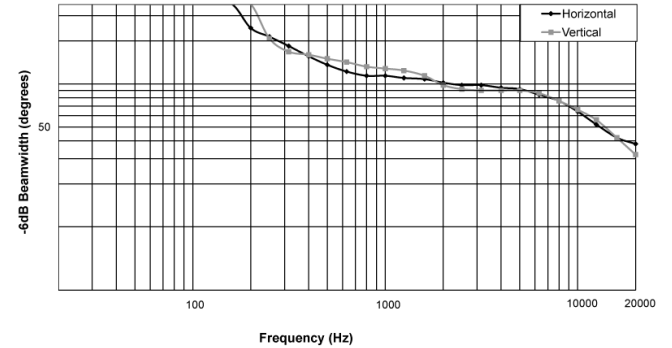
Vertical Off-Axis Frequency Response (Up):



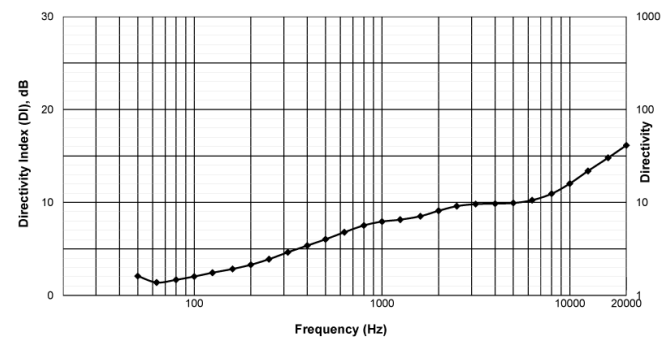
Vertical Off-Axis Frequency Response (Down):



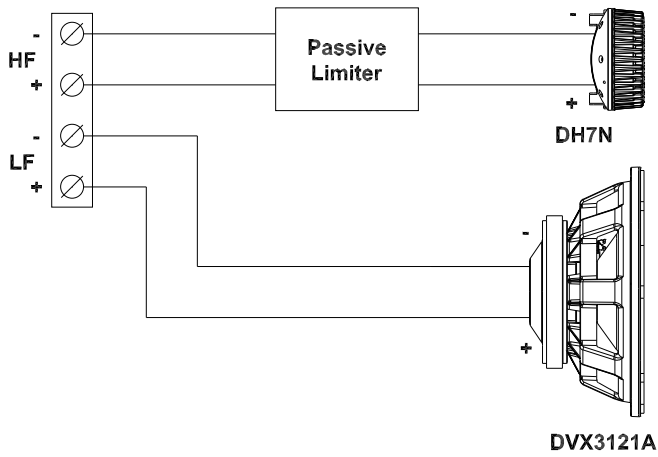
Beamwidth:



Directivity:

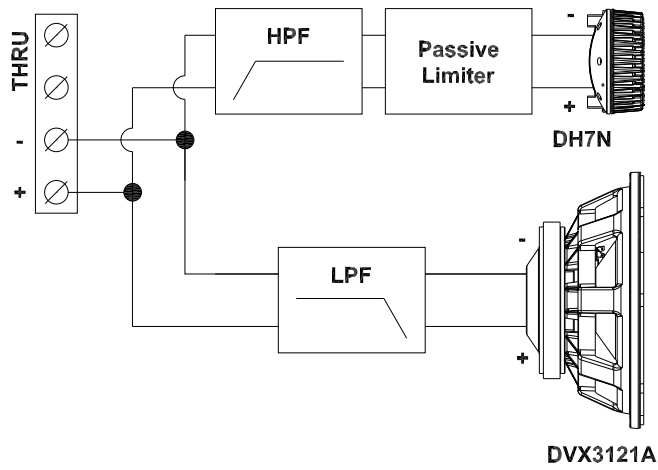


Block Diagram (biamp):

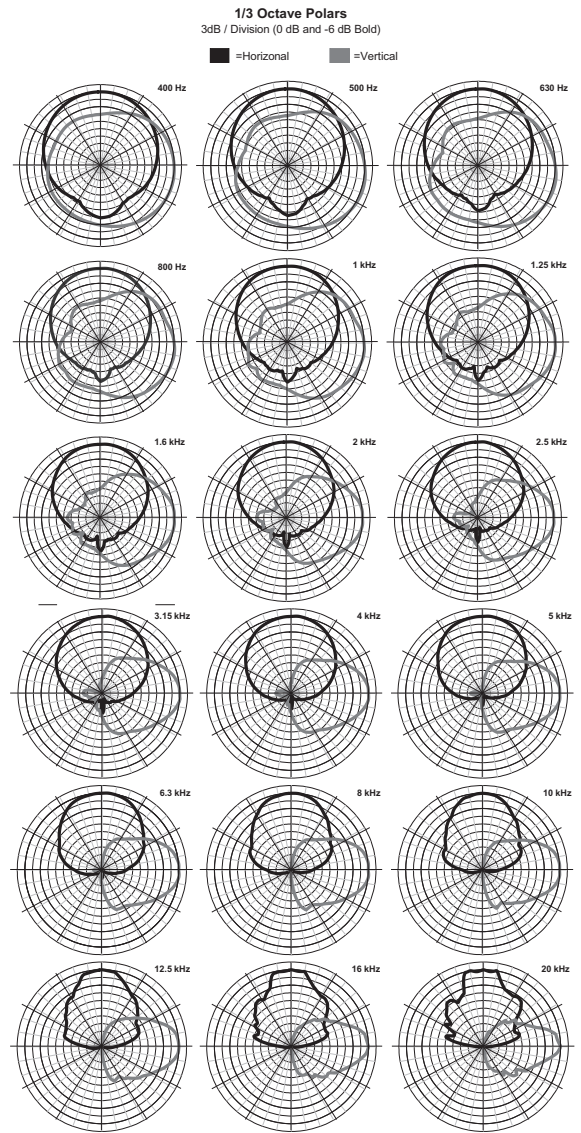


Block Diagram (passive):

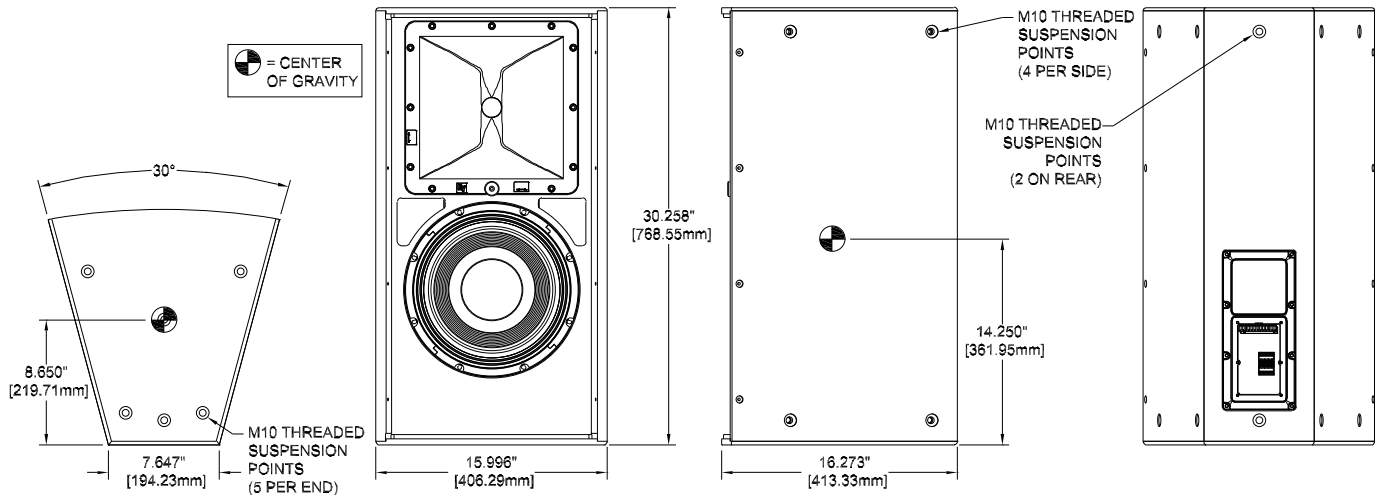
Standard shipping configuration



Horizontal & Vertical Polar Response:



Dimension Drawing:



Notice

This Electro-Voice loudspeaker should be suspended overhead only in accordance with the procedures and limitations specified in the User's Manual and possible manual update notices. This system should be suspended with certified rigging hardware by an authorized rigging professional and in compliance with local, state, and federal overhead suspension ordinances.

Compatible System Solutions:

EVH-1122S/64	60° x 40° Coverage
EVF-1122S/66	60° x 60° Coverage
EVF-1122D/94	90° x 40° Coverage
EVF-1122D/96	90° x 60° Coverage
EVF-1122D/126	120° x 60° Coverage
EVF-1152D/43	40° x 30° Coverage
EVF-1152D/64	60° x 40° Coverage
EVF-1152D/66	60° x 60° Coverage
EVF-1152D/94	90° x 40° Coverage
EVF-1152D/96	90° x 60° Coverage
EVF-1152D/99	90° x 90° Coverage
EVF-2121S	Dual 12" Bass Element
EVF-2151D	Dual 15" Bass Element
CPS2.9	120V Power Amplifier, 2 x 900W
CPS2.12	120V Power Amplifier, 2 x 1200W
CPS4.5	120V Power Amplifier, 4 x 500W
CPS4.10	120V Power Amplifier, 4 x 1000W

Ordering information

EVF1122D99BLB 12" speaker 90x90 indoor black

EVF 12" / 2-way Full-range Systems; DVX woofer & DH7N driver (600 W cont.); 90° x 90°, EVCoat, black
 Order number **EVF1122D99BLB | F.01U.272.602**

EVF1122D99WLB 12" speaker 90x90 indoor white

EVF 12" / 2-way Full-range Systems; DVX woofer & DH7N driver (600 W cont.); 90° x 90°, EVCoat, white
 Order number **EVF1122D99WLB | F.01U.272.603**

EVF1122D99PBLB 12" speaker 90x90 weatherized black

EVF 12" / 2-way Full-range Systems; DVX woofer & DH7N driver (600 W cont.); 90° x 90°, EVCoat, PI-weatherized, black
 Order number **EVF1122D99PBLB | F.01U.272.604**

EVF1122D99PIWLB 12" speaker 90x90 weatherized white

EVF 12" / 2-way Full-range Systems; DVX woofer & DH7N driver (600 W cont.); 90° x 90°, EVCoat, PI-weatherized, white
 Order number **EVF1122D99PIWLB | F.01U.272.605**

EVF1122D99FBLB 12" speaker 90x90 fiberglass black

EVF 12" / 2-way Full-range Systems; DVX woofer & DH7N driver (600 W cont.); 90° x 90°, EVCoat, fiberglass, black
 Order number **EVF1122D99FBLB | F.01U.272.931**

EVF1122D99FWLB 12" speaker 90x90 fiberglass white

EVF 12" / 2-way Full-range Systems; DVX woofer & DH7N driver (600 W cont.); 90° x 90°, EVCoat, fiberglass, white
 Order number **EVF1122D99FWLB | F.01U.272.932**

Accessories

CDNL4-LB Input panel cover plate, dual NL4 type

Dual NL4 cover kit for EVA, EVC, EVF & EVH, black
 Order number **CDNL4-LB | F.01U.283.495**

CSG-LB Input panel cover plate single gland nut

Single gland nut cover kit for EVA, EVC, EVF & EVH, black
 Order number **CSG-LB | F.01U.283.496**

CDG-LB Input panel cover plate, dual gland nut

Dual gland nut cover kit for EVA, EVC, EVF & EVH
 Order number **CDG-LB | F.01U.283.497**

TK-150 70/100 Volt transformer kit

Transformer kit for EVC, EVF, and EVH, 150W/70V
 Order number **TK-150 | F.01U.132.318**

HRK-1B-LB Horizontal rigging kit black, EVF + EVF

Horizontal rigging kit for EVF, black
 Order number **HRK-1B-LB | F.01U.283.502**

HRK-1W-LB Horizontal rigging kit white, EVF + EVF

Horizontal rigging kit for EVF, white

Order number **HRK-1W-LB | F.01U.283.503**

HRK-2B-LB Horizontal rigging kit black, EVF + EVH

Horizontal rigging kit for EVF & EVH full-range to EVF sub, black

Order number **HRK-2B-LB | F.01U.283.504**

HRK-2W-LB Horizontal rigging kit white, EVF + EVH

Horizontal rigging kit for EVF & EVH full-range to EVF sub, white

Order number **HRK-2W-LB | F.01U.283.505**

VRK-1B-LB Vertical rigging kit black, EVF + EVF

Vertical rigging kit for EVF, black

Order number **VRK-1B-LB | F.01U.283.506**

VRK-1W-LB Vertical rigging kit white, EVF + EVF

Vertical rigging kit for EVF, white

Order number **VRK-1W-LB | F.01U.283.507**

VRK-2B-LB Vertical rigging kit black, EVF + EVH

Vertical rigging kit for EVF & EVH full-range to EVF subs, black

Order number **VRK-2B-LB | F.01U.283.508**

VRK-2W-LB Vertical rigging kit white, EVF + EVH

Vertical rigging kit for EVF & EVH full-range to EVF subs, white

Order number **VRK-2W-LB | F.01U.283.509**

EVF-UB-BLK-LB U-bracket for all EVF speakers black

Mounting bracket for EVF, black

Order number **EVF-UB-BLK-LB | F.01U.283.510**

EVF-UB-WHT-LB U-bracket for all EVF speakers white

Mounting bracket for EVF, white

Order number **EVF-UB-WHT-LB | F.01U.283.511**

Represented by:

Germany:
Bosch Sicherheitssysteme GmbH
Robert-Bosch-Ring 5
85630 Grasbrunn
Germany
www.electrovoice.com

Bosch Security Systems, LLC
12000 Portland Avenue South
Burnsville MN 55337
USA