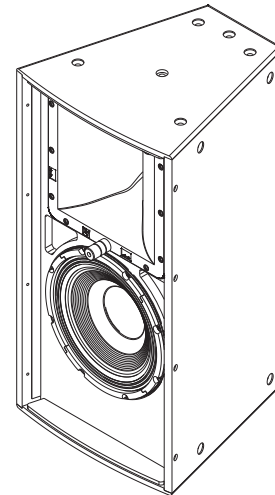


EVF-1122S/96-FG Arrayable point-source 12" fully-weatherized loudspeaker

- 12-inch arrayable two-way point-source loudspeaker
- Rotatable constant directivity waveguide
- 98 dB Sensitivity, 131 dB Maximum SPL
- System Rating: 500W Continuous, (2000W Peak)
- Partially-weatherized PI and fully-weatherized FG versions available with gland nut and stainless-steel grille



The Electro-Voice EVF-1122S/96-FG is a fully-weatherized, fiberglass-coated, high power, 2-way loudspeaker system that can be used in a variety of applications where high quality sound reinforcement is required in a compact, lightweight package.

The EVF-1122S/96-FG utilizes the ND2B, a high output 2" titanium compression driver, coupled to a Constant Directivity 90° x 60° waveguide. The SMX2121 12" woofer used FEA optimization for motor, suspension, and electrical design for very low distortion, high efficiency, and maximum intelligibility at high SPL levels. The crossover uses steep 24 dB/octave slopes with equalization for very smooth response in vocal range, linear off-axis response, and a protection circuit for long term reliability.

The EVF-1122S/96-FG features make it ideal for many fixed install applications, including applications with full exposure to outdoor elements. The trapezoidal enclosure is constructed out of weather resistant birch, and coated with fiberglass for maximum protection from extreme outdoor elements. The unique acoustic and rigging design allows for vertical and horizontal arrays to be built using any combination of loudspeakers from the entire EVF & EVH Series, with 7 horn patterns to choose from and an assortment of Low Frequency and subwoofer loudspeakers, it gives you the tools to maximize flexibility of system design, no matter what the application and budget. The innovative input panel provides phoenix style connectors (included in all standard models) and gland nut cover plate (for weatherizing applications). An externally accessible jumper selects passive or active operation. An available 70.7/100 Volt transformer kit simply mounts to the input panel for use in distributed systems. All

these features give you the flexibility to do a large range of venues in extreme environments with fewer items in inventory and quickly support your customer's requirements.

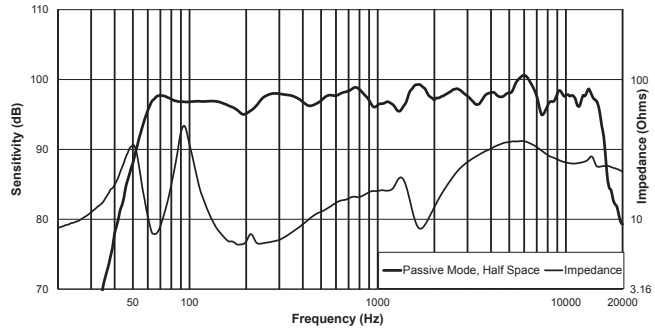
Technical specifications

Frequency response (-3 dB):	118 Hz - 16 kHz ¹
Frequency range (-10 dB):	58 Hz - 19 kHz ¹
Rec. hipass frequency:	65 Hz
Axial sensitivity:	98 dB (1W/1m)
Max. calculated SPL:	131 dB
Horizontal coverage:	90° (or 60°)
Vertical coverage:	60° (or 90°) 60° (or 90°)
Power handling:	500 W continuous, 2000 W peak
LF transducer:	SMX2121, 12 in (305 mm) driver
HF transducer:	ND2B, 2 in (51 mm) diaphragm compression driver
Crossover frequency:	1450 Hz
Nominal impedance:	8 Ω
Minimum impedance:	6.0 Ω
Connectors:	(2) 4 Contact 10 AWG Phoenix/Euroblock style screw terminal, gland nut with input panel cover included for weatherizing
Enclosure material:	13 Ply weather resistant birch, fiberglass finish
Grille:	18 GA stainless steel with hydrophobic cloth and rotatable logo

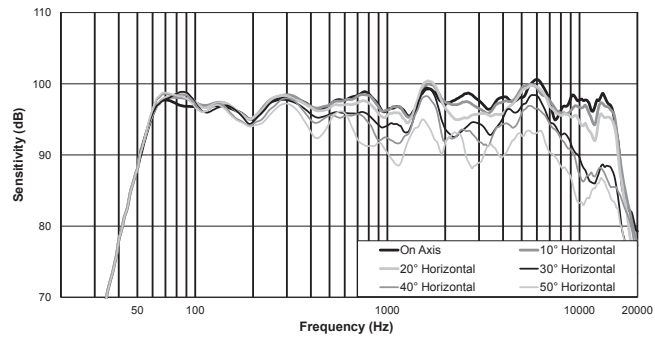
Suspension: (22) M10 threaded points
Dimensions (H x W x D): 30.26 in x 16.00 in x 16.27 in (768.6mm x 406.3mm x 413.3mm)
Net weight: 63.1 lb (28.6 kg)
Shipping weight: 73.4 lb (33.3 kg)

¹Half space measurement

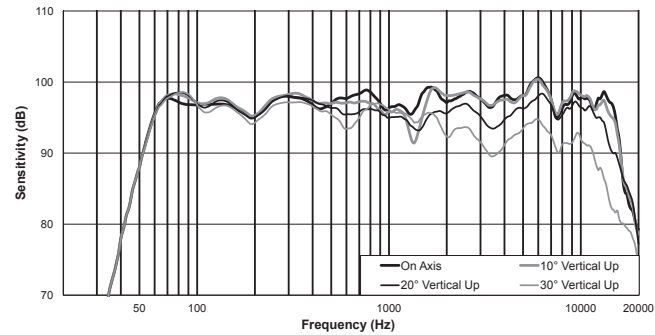
Frequency Response & Impedance:



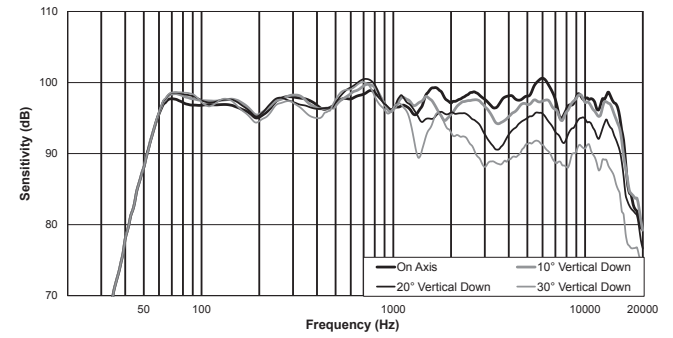
Horizontal Off Axis Frequency Response:



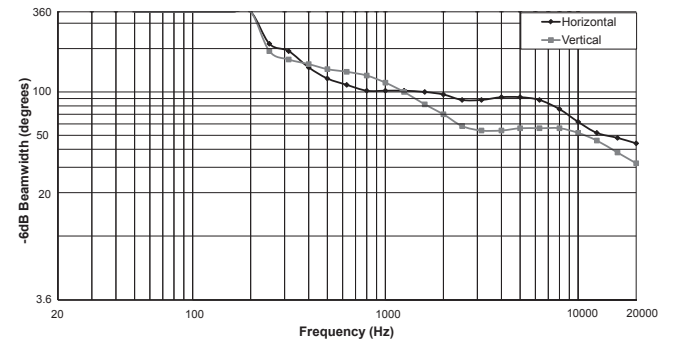
Vertical Off Axis Frequency Response (Up):



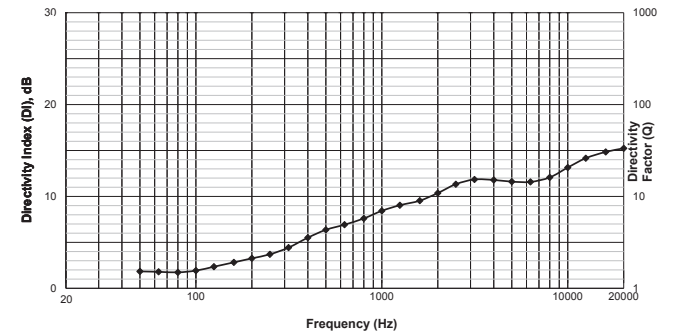
Vertical Off Axis Frequency Response (Down):



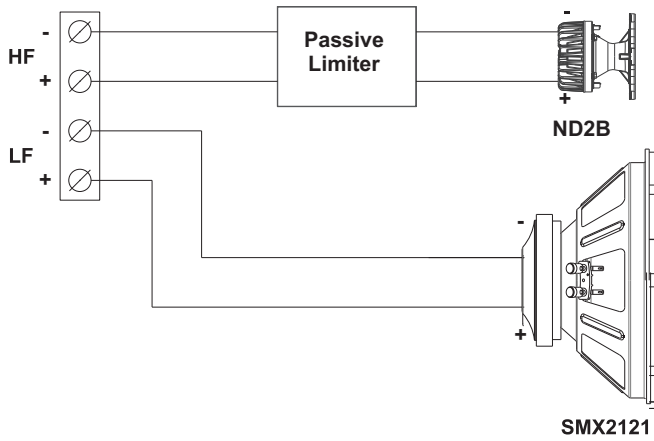
Beamwidth:



Directivity:

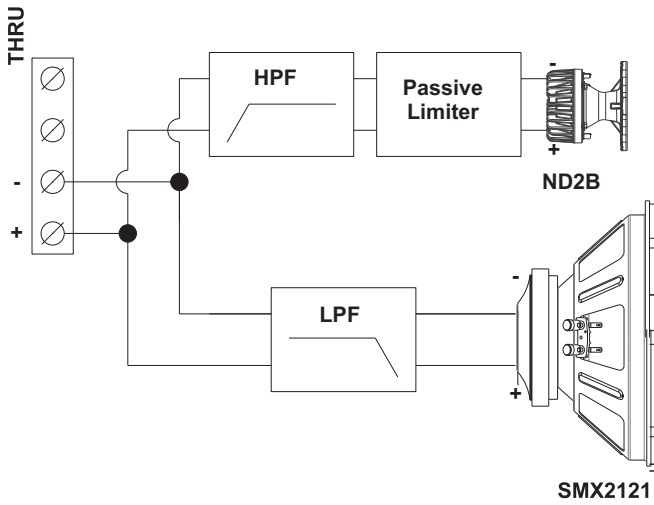


Block Diagram (Biamp):

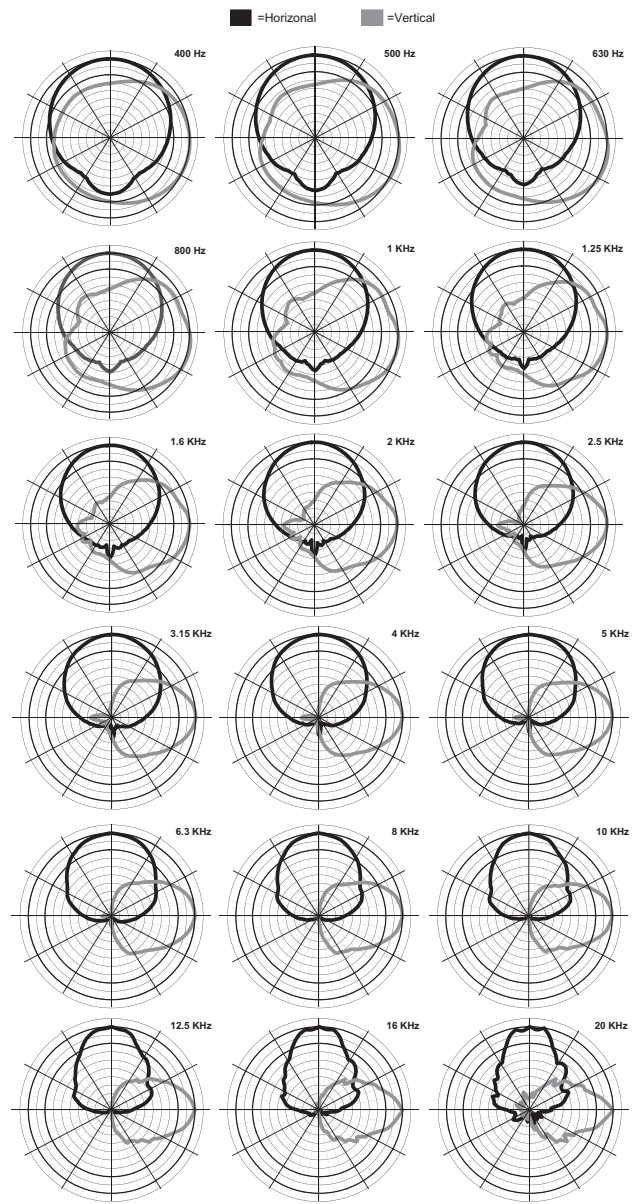


Block Diagram (Passive):

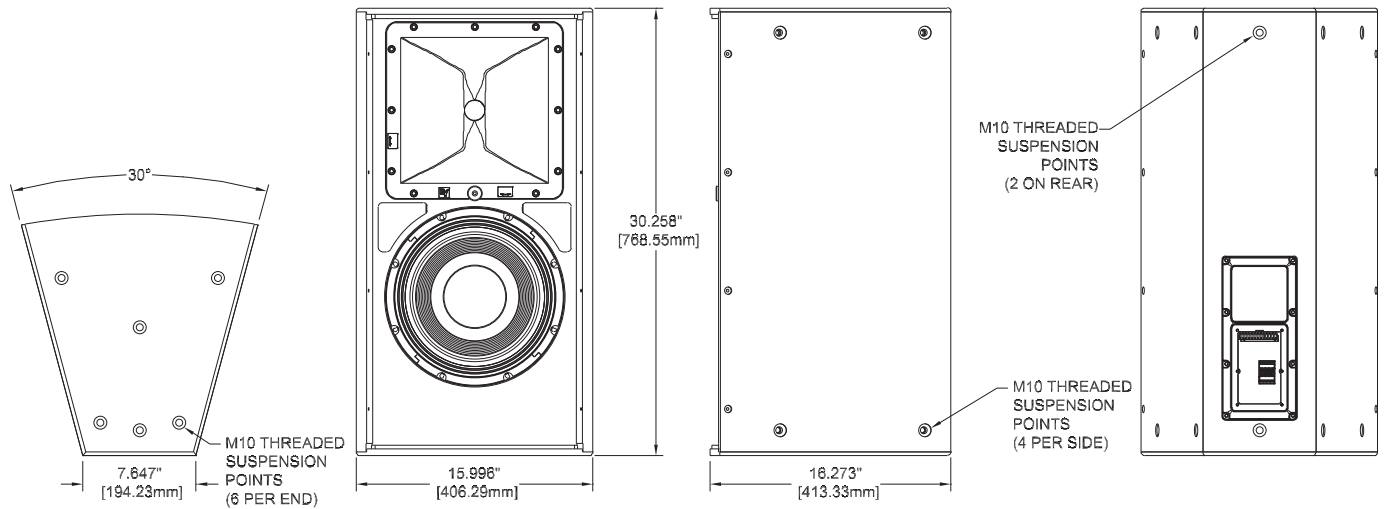
Standard shipping configuration



Polar Plots (1/3 Octave):



Dimension Drawing:



i Notice
 This Electro-Voice loudspeaker should be suspended overhead only in accordance with the procedures and limitations specified in the User's Manual and possible manual update notices. This system should be suspended with certified rigging hardware by an authorized rigging professional and in compliance with local, state, and federal overhead suspension ordinances.

Compatible System Solutions:

EVF-1122/S64	60° x 40° Coverage
EVF-1122S/66	60° x 60° Coverage
EVF-1122S/94	90° x 40° Coverage
EVF-1122S/99	90° x 90° Coverage
EVF-1122S/126	120° x 60° Coverage
EVF-1152S/43	40° x 30° Coverage
EVF-1152S/64	60° x 40° Coverage
EVF-1152S/66	60° x 60° Coverage
EVF-1152S/94	90° x 40° Coverage
EVF-1152S/96	90° x 60° Coverage
EVF-1152S/99	90° x 90° Coverage
EVF-1121S	12" Bass Element
EVF-1151S	15" Bass Element
EVF-1181S	18" Bass Element
CPS2.9	120V Power Amplifier, 2 x 900W
CPS2.12	120V Power Amplifier, 2 x 1200W
CPS4.5	120V Power Amplifier, 4 x 500W
CPS4.10	120V Power Amplifier, 4 x 1000W

Ordering information

EVF1122S96BLB 12" 90x60 indoor black

EVF 12" / 2-way Full-range Systems; SMX woofer & ND2B driver (500 W cont.) 90° x 60°, EVCoat, black
 Order number **EVF1122S96BLB | F.01U.272.506**

EVF1122S96WHLB 12" 90x60 indoor white

EVF 12" / 2-way Full-range Systems; SMX woofer & ND2B driver (500 W cont.) 90° x 60°, EVCoat, white
 Order number **EVF1122S96WHLB | F.01U.272.507**

EVF1122S96PBLB 12" 90x60 weatherized black

EVF 12" / 2-way Full-range Systems; SMX woofer & ND2B driver (500 W cont.) 90° x 60°, EVCoat, PI-weatherized, black
 Order number **EVF1122S96PBLB | F.01U.272.508**

EVF1122S96PWL 12" 90x60 weatherized white

EVF 12" / 2-way Full-range Systems; SMX woofer & ND2B driver (500 W cont.) 90° x 60°, EVCoat, PI-weatherized, white
 Order number **EVF1122S96PWL | F.01U.272.509**

EVF1122S96FBLB 12" 90x60 fiberglass black

EVF 12" / 2-way Full-range Systems; SMX woofer & ND2B driver (500 W cont.) 90° x 60°, EVCoat, fiberglass, black
 Order number **EVF1122S96FBLB | F.01U.272.917**

EVF1122S96FWL 12" 90x60 fiberglass white

EVF 12" / 2-way Full-range Systems; SMX woofer & ND2B driver (500 W cont.) 90° x 60°, EVCoat, fiberglass, white
 Order number **EVF1122S96FWL | F.01U.272.918**

Accessories

CSG-LB Input panel cover plate single gland nut

Single gland nut cover kit for EVA, EVC, EVF & EVH, black
 Order number **CSG-LB | F.01U.283.496**

CDG-LB Input panel cover plate, dual gland nut

Dual gland nut cover kit for EVA, EVC, EVF & EVH
 Order number **CDG-LB | F.01U.283.497**

CDNL4-LB Input panel cover plate, dual NL4 type

Dual NL4 cover kit for EVA, EVC, EVF & EVH, black
 Order number **CDNL4-LB | F.01U.283.495**

TK-150 70/100 Volt transformer kit

Transformer kit for EVC, EVF, and EVH, 150W/70V
Order number **TK-150 | F.01U.132.318**

EVF-UB-BLK-LB U-bracket for all EVF speakers black

Mounting bracket for EVF, black
Order number **EVF-UB-BLK-LB | F.01U.283.510**

EVF-UB-WHT-LB U-bracket for all EVF speakers white

Mounting bracket for EVF, white
Order number **EVF-UB-WHT-LB | F.01U.283.511**

HRK-1B-LB Horizontal rigging kit black, EVF + EVF

Horizontal rigging kit for EVF, black
Order number **HRK-1B-LB | F.01U.283.502**

HRK-1W-LB Horizontal rigging kit white, EVF + EVF

Horizontal rigging kit for EVF, white
Order number **HRK-1W-LB | F.01U.283.503**

HRK-2B-LB Horizontal rigging kit black, EVF + EVH

Horizontal rigging kit for EVF & EVH full-range to EVF sub,
black
Order number **HRK-2B-LB | F.01U.283.504**

HRK-2W-LB Horizontal rigging kit white, EVF + EVH

Horizontal rigging kit for EVF & EVH full-range to EVF sub,
white
Order number **HRK-2W-LB | F.01U.283.505**

VRK-1B-LB Vertical rigging kit black, EVF + EVF

Vertical rigging kit for EVF, black
Order number **VRK-1B-LB | F.01U.283.506**

VRK-1W-LB Vertical rigging kit white, EVF + EVF

Vertical rigging kit for EVF, white
Order number **VRK-1W-LB | F.01U.283.507**

Represented by:

Germany:
Bosch Sicherheitssysteme GmbH
Robert-Bosch-Ring 5
85630 Grasbrunn
Germany
www.electrovoice.com

Bosch Security Systems, LLC
12000 Portland Avenue South
Burnsville MN 55337
USA