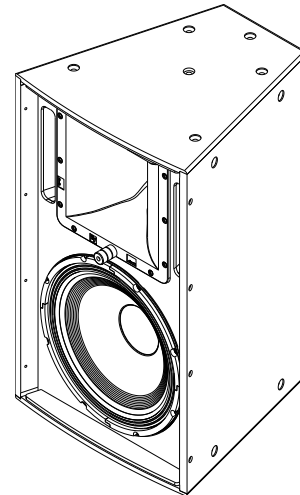


# EVF-1152S/96 Arrayable point-source 15" loudspeaker

- 15-inch arrayable two-way point-source loudspeaker
- Rotatable constant directivity waveguide
- 101 dB sensitivity, 134 dB maximum SPL
- System rating: 500 W continuous, (2000 W peak)
- Partially-weatherized PI and fully-weatherized FG versions available with gland nut and stainless-steel grille
- EN54-24 type B certification 1438-CPR-0283 (Only available in select regions)



The Electro-Voice EVF-1152S/96 is a high power, 2-way loudspeaker system that can be used in a variety of applications where high quality sound reinforcement is required in a compact, lightweight package.

The EVF-1152S/96 utilizes the ND2B, a high output 2" titanium compression driver, coupled to a Constant Directivity 90° x 60° waveguide. The SMX2151 15" woofer used FEA optimization for motor, suspension, and electrical design for very low distortion, high efficiency, and maximum intelligibility at high SPL levels. The crossover uses steep 24 dB/octave slopes with equalization for very smooth response in vocal range, linear off-axis response, and a protection circuit for long term reliability.

The EVF-1152S/96 features make it ideal for many fixed install applications. The trapezoidal enclosure is constructed out of weather resistant birch, and coated with EVCoat for maximum protection from the elements. The unique acoustic and rigging design allows for vertical and horizontal arrays to be built using any combination of loudspeakers from the entire EVF & EVH Series, with 7 horn patterns to choose from and an assortment of Low Frequency and subwoofer loudspeakers, it gives you the tools to maximize flexibility of system design, no matter what the application and budget. The innovative input panel provides choice of phoenix style connector (included in all standard models) or the ability to add; a dual NL4 type connector cover plate or gland nut cover plate (for weatherizing applications). An externally accessible jumper selects passive or active operation. An available 70.7/100 Volt transformer kit simply mounts to the input panel for use in distributed systems. All these features give you the flexibility to

do a large range of venues with fewer items in inventory and quickly support your customer's requirements.

## Technical specifications

Frequency response (-3 dB):	70 Hz - 14 kHz <sup>1</sup>
Frequency range (-10 dB):	41 Hz - 18 kHz <sup>1</sup>
Rec. hipass frequency:	45 Hz
Axial sensitivity:	101 dB (1W/1m)
Max. calculated SPL:	134 dB
Horizontal coverage:	90° (or 60°)
Vertical coverage:	60° (or 90°)
Power handling:	500 W continuous, 2000 W peak
LF transducer:	SMX2151, 15 in (381 mm) driver
HF transducer:	ND2B, 2 in (51 mm) diaphragm compression driver
Crossover frequency:	1450 Hz
Nominal impedance:	8 Ω
Minimum impedance:	6.0 Ω
Connectors:	(2) 4 Contact 10 AWG Phoenix/ Euroblock style screw terminal PI version: Gland nut with included input panel cover
Enclosure material:	13 Ply weather resistant birch
Grille:	16 GA Galvanneal, powdercoat, with rotatable logo PI version: Stainless steel with hydrophobic cloth

Suspension: (22) M10 threaded points

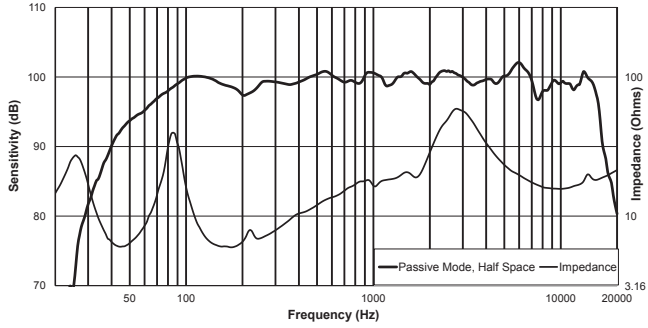
Dimensions (H x W x D): 30.26 in x 18.50 in x 18.37 in  
(768.6 mm x 469.8 mm x 466.6 mm)

Net weight: 70.9 lb (32.1 kg)

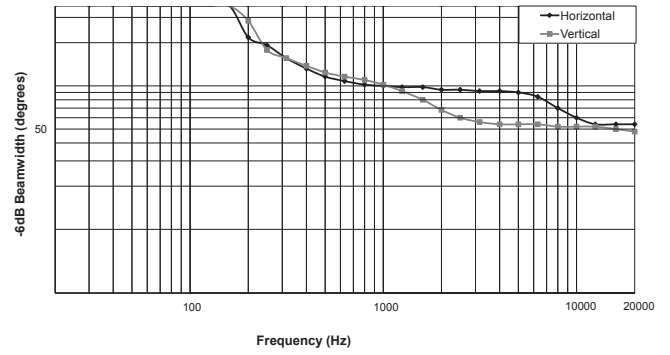
Shipping weight: 81.2 lb (36.8 kg)

<sup>1</sup>Half-space measurement.

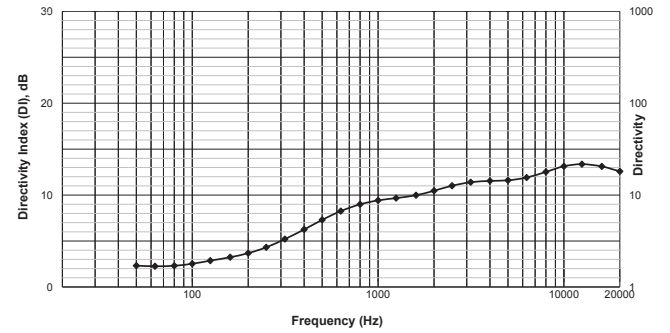
**Frequency Response & Impedance:**



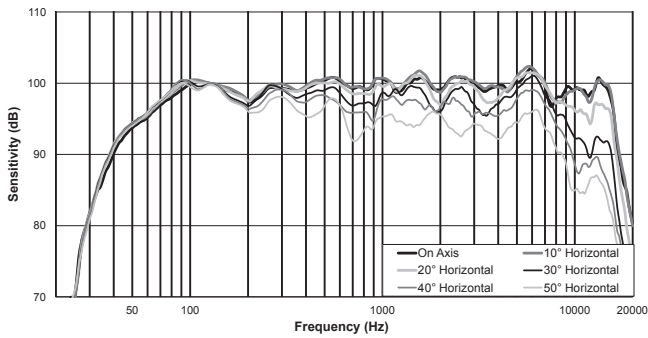
**Beamwidth:**



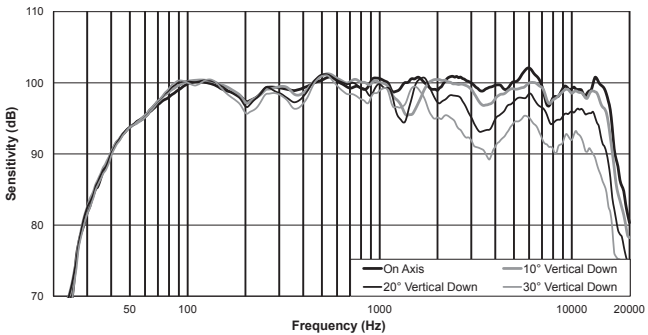
**Directivity:**



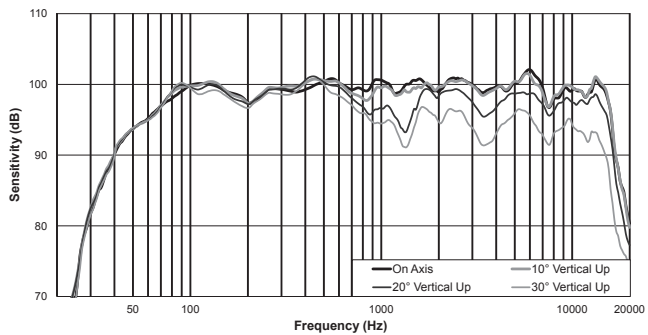
**Horizontal Off-Axis Frequency Response:**



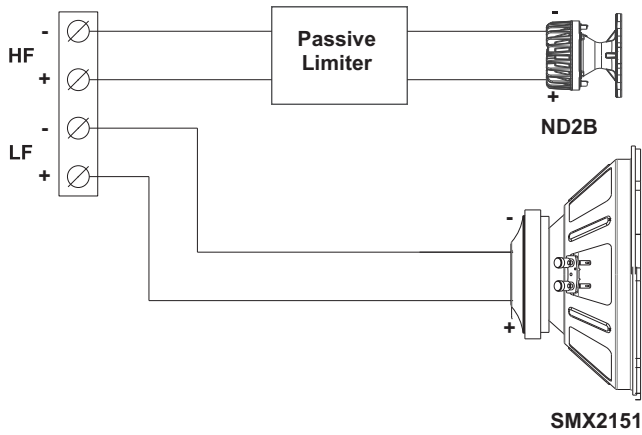
**Vertical Off-Axis Frequency Response (Down):**



**Vertical Off-Axis Frequency Response (Up):**

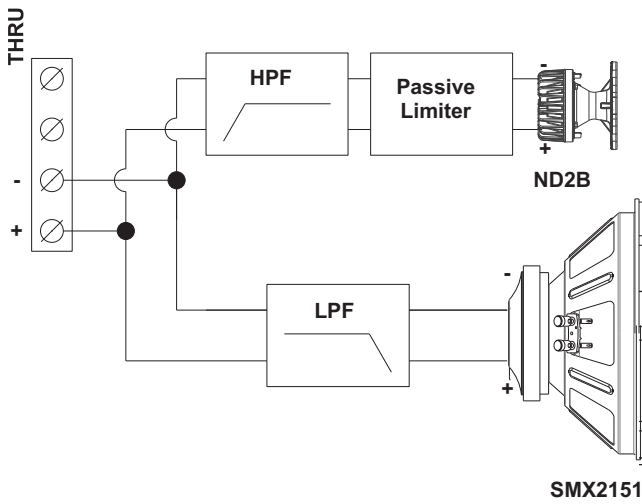


**Block Diagram (Biamp):**

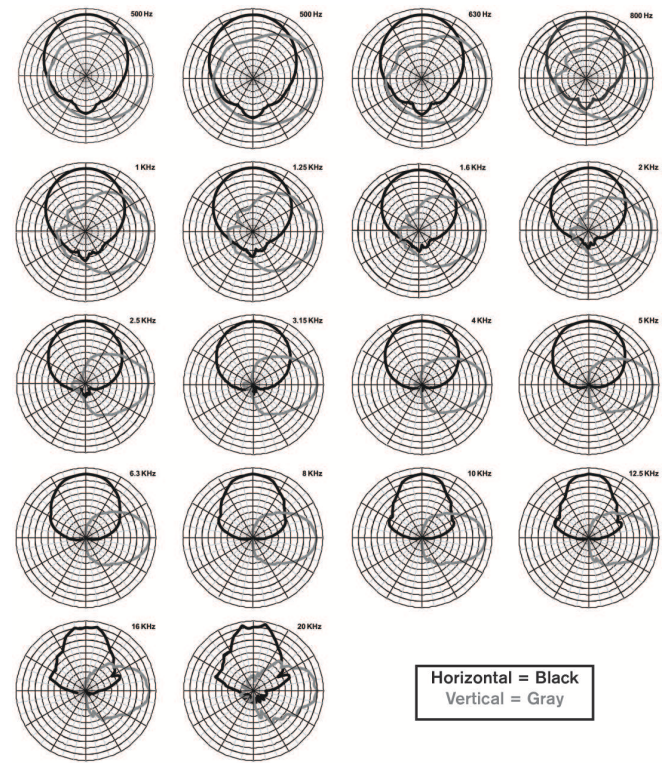


**Block Diagram (Passive):**

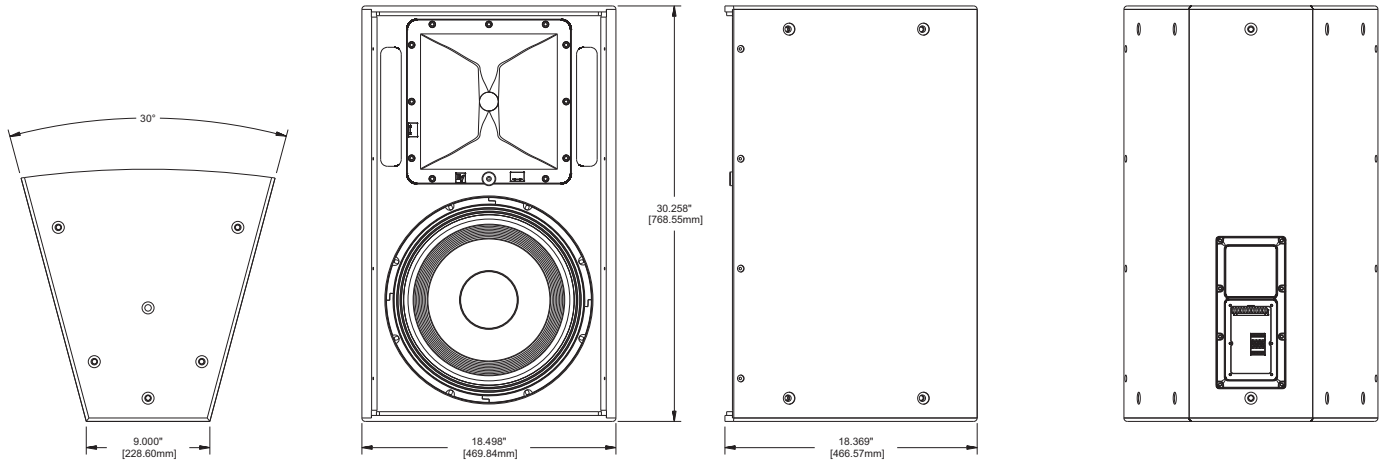
Standard shipping configuration



**Horizontal & Vertical Polar Response:**



**Dimension Drawing:**



**Notice**

This Electro-Voice loudspeaker should be suspended overhead only in accordance with the procedures and limitations specified in the User's Manual and possible manual update notices. This system should be suspended with certified rigging hardware by an authorized rigging professional and in compliance with local, state, and federal overhead suspension ordinances.

**Compatible System Solutions:**

EVF-1122S/64	60° x 40° Coverage
EVF-1122S/66	60° x 60° Coverage
EVF-1122S/94	90° x 40° Coverage
EVF-1122S/96	90° x 60° Coverage
EVF-1122S/99	90° x 90° Coverage
EVF-1122S/126	120° x 60° Coverage
EVF-1152S/43	40° x 30° Coverage
EVF-1152S/64	60° x 40° Coverage
EVF-1152S/66	60° x 60° Coverage
EVF-1152S/94	90° x 40° Coverage
EVF-1152S/99	90° x 90° Coverage
EVF-1121S	12" Bass Element
EVF-1151S	15" Bass Element
EVF-1181S	18" Bass Element
CPS2.9	120V Power Amplifier, 2 x 900W
CPS2.12	120V Power Amplifier, 2 x 1200W
CPS4.5	120V Power Amplifier, 4 x 500W
CPS4.10	120V Power Amplifier, 4 x 1000W

**Ordering information**

**EVF1152S96BLKLB 15" 90x60 indoor black**

EVF 15" / 2-way Full-range Systems; SMX woofer & ND2B driver (500 W cont.); 90° x 60°, EVCoat, black  
Order number **EVF1152S96BLKLB | F.01U.272.534**

**EVF1152S96WHTLB 15" 90x60 indoor white**

EVF 15" / 2-way Full-range Systems; SMX woofer & ND2B driver (500 W cont.); 90° x 60°, EVCoat, white  
Order number **EVF1152S96WHTLB | F.01U.272.535**

**EVF1152S96FBLB 15" 90x60 fiberglass black**

EVF 15" / 2-way Full-range Systems; SMX woofer & ND2B driver (500 W cont.); 90° x 60°, EVCoat, fiberglass, black  
Order number **EVF1152S96FBLB | F.01U.272.945**

**EVF1152S96FWLB 15" 90x60 fiberglass white**

EVF 15" / 2-way Full-range Systems; SMX woofer & ND2B driver (500 W cont.); 90° x 60°, EVCoat, fiberglass, white  
Order number **EVF1152S96FWLB | F.01U.272.946**

**EVF1152S96PIBLB 15" 90x60 weatherized black**

EVF 15" / 2-way Full-range Systems; SMX woofer & ND2B driver (500 W cont.); 90° x 60°, EVCoat, PI-weatherized, black  
Order number **EVF1152S96PIBLB | F.01U.272.536**

**EVF1152S96PIWLB 15" 90x60 weatherized white**

Order number **EVF1152S96PIWLB | F.01U.272.537**

**EVF-1152S/96-PIW EVF-1152S/96-PIW**

EVF 15" / 2-way Full-range Systems; SMX woofer & ND2B driver (500 W cont.); 90° x 60°, EVCoat, PI-weatherized, white  
Order number **EVF-1152S/96-PIW | F.01U.139.614**

**EVF1152S96BLKE 15" 90x60 indoor black**

EVF 15" / 2-way Full-range Systems; SMX woofer & ND2B driver (500 W cont.); 90° x 60°, EVCoat, black  
Order number **EVF1152S96BLKE | F.01U.206.200**

**EVF1152S96WHTE 15" 90x60 indoor white**

EVF 15" / 2-way Full-range Systems; SMX woofer & ND2B driver (500 W cont.); 90° x 60°, EVCoat, white  
Order number **EVF1152S96WHTE | F.01U.206.201**

**EVF1152S96PIBE 15" 90x60 weatherized black**

EVF 15" / 2-way Full-range Systems; SMX woofer & ND2B driver (500 W cont.); 90° x 60°, EVCoat, PI-weatherized, black

Order number **EVF1152S96PIBE | F.01U.206.202**

---

**EVF-1152S/96-PIW**

EVF 15" / 2-way Full-range Systems; SMX woofer & ND2B driver (500 W cont.); 90° x 60°, EVCoat, PI-weatherized, white

Order number **EVF1152S96PIWE | F.01U.206.203**

---

**Accessories**

**CDNL4-LB Input panel cover plate, dual NL4 type**

Dual NL4 cover kit for EVA, EVC, EVF & EVH, black

Order number **CDNL4-LB | F.01U.283.495**

---

**CSG-LB Input panel cover plate single gland nut**

Single gland nut cover kit for EVA, EVC, EVF & EVH, black

Order number **CSG-LB | F.01U.283.496**

---

**CDG-LB Input panel cover plate, dual gland nut**

Dual gland nut cover kit for EVA, EVC, EVF & EVH

Order number **CDG-LB | F.01U.283.497**

---

**TK-150 70/100 Volt transformer kit**

Transformer kit for EVC, EVF, and EVH, 150W/70V

Order number **TK-150 | F.01U.132.318**

---

**HRK-1B-LB Horizontal rigging kit black, EVF + EVF**

Horizontal rigging kit for EVF, black

Order number **HRK-1B-LB | F.01U.283.502**

---

**HRK-1W-LB Horizontal rigging kit white, EVF + EVF**

Horizontal rigging kit for EVF, white

Order number **HRK-1W-LB | F.01U.283.503**

---

**HRK-2B-LB Horizontal rigging kit black, EVF + EVH**

Horizontal rigging kit for EVF & EVH full-range to EVF sub, black

Order number **HRK-2B-LB | F.01U.283.504**

---

**HRK-2W-LB Horizontal rigging kit white, EVF + EVH**

Horizontal rigging kit for EVF & EVH full-range to EVF sub, white

Order number **HRK-2W-LB | F.01U.283.505**

---

**VRK-1B-LB Vertical rigging kit black, EVF + EVF**

Vertical rigging kit for EVF, black

Order number **VRK-1B-LB | F.01U.283.506**

---

**VRK-1W-LB Vertical rigging kit white, EVF + EVF**

Vertical rigging kit for EVF, white

Order number **VRK-1W-LB | F.01U.283.507**

---

**VRK-2B-LB Vertical rigging kit black, EVF + EVH**

Vertical rigging kit for EVF & EVH full-range to EVF subs, black

Order number **VRK-2B-LB | F.01U.283.508**

---

**VRK-2W-LB Vertical rigging kit white, EVF + EVH**

Vertical rigging kit for EVF & EVH full-range to EVF subs, white

Order number **VRK-2W-LB | F.01U.283.509**

---

**EVF-UB-BLK-LB U-bracket for all EVF speakers black**

Mounting bracket for EVF, black

Order number **EVF-UB-BLK-LB | F.01U.283.510**

---

**EVF-UB-WHT-LB U-bracket for all EVF speakers white**

Mounting bracket for EVF, white

Order number **EVF-UB-WHT-LB | F.01U.283.511**

---

**Represented by:**

**Germany:**  
Bosch Sicherheitssysteme GmbH  
Robert-Bosch-Ring 5  
85630 Grasbrunn  
Germany  
www.electrovoice.com

Bosch Security Systems, LLC  
12000 Portland Avenue South  
Burnsville MN 55337  
USA