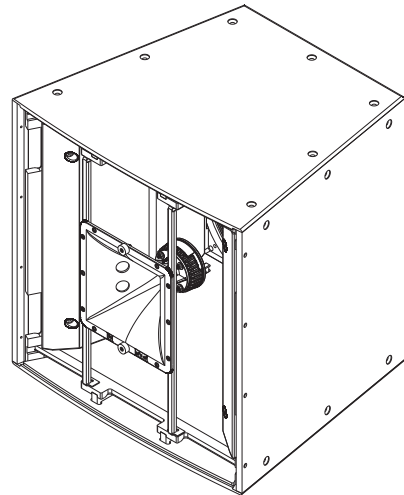


EVH-1152D/43 Premium arrayable point-source coaxial horn-loaded loudspeaker

- High-performance horn-loaded arrayable coaxial point-source loudspeaker
- Rotatable mid- and high-frequency constant directivity waveguides
- Partially-weatherized PI and fully-weatherized FG versions available with gland nut and stainless-steel grille rated IEC 60529 IP55
- Integrates easily with EVF Low Frequency and Subwoofer Systems
- EN54-24 type B certification 1438-CPR-0299 with CDG cover installed (**Only available in select regions**)



The Electro-Voice EVH-1152D/43 is a high-power, two-way horn-loaded coaxial loudspeaker system that can be used in a wide variety of applications where excellent intelligibility, wide bandwidth directivity control, and high efficiency are required in a compact, cost-effective package.

For high frequencies, the EVH-1152D/43 utilizes the DH7N, a high-output 3-inch titanium compression driver, coupled to a rotatable Constant Directivity 40° x 30° waveguide. The high frequency waveguide can be rotated to maintain uniform pattern control over the entire critical vocal range regardless of enclosure orientation. For low frequencies, the SMX2151 15-inch woofer was developed using FEA optimization for motor, suspension, and electrical design to ensure very low distortion, high efficiency, and maximum intelligibility at high SPL. The crossover uses steep, 24-dB per-octave slopes with equalization for very smooth response in the vocal range, linear off-axis response, and an HF protection circuit for long-term reliability. This combination of technologies results in extended frequency response and excellent pattern control down to 500 Hz.

The EVH-1152D/43 features make it ideal for many fixed-install applications. The trapezoidal enclosure is constructed out of weather-resistant birch and coated with EVCoat for enhanced durability. For protection against outdoor elements, weatherized versions are available (PI and FG). The enclosure is built with 28 M10 suspension points for single hang (four shoulder eyebolts included) or an array (optional HRK or VRK kits).

The innovative input panel provides Phoenix-style connectors (included in all models) and a dual gland nut cover plate (CDG included in PI and FG models). For convenience in temporary installation you may add a dual NL4 type connector cover plate (CDNL4). An external easy to access jumper card is provided with each loudspeaker to assist you in the selection of passive (standard shipping configuration) or bi-amp operation. An available 70.7/100 Volt internal transformer kit (TK-150) may be easily mounted to the input panel for use in distributed systems. No matter what the application and budget, all these features provide you with the tools to increase flexibility during system design to meet and support your customer's requirements with fewer items in inventory.

EVF and EVH loudspeakers feature precise acoustics and rigging design for easy to configure vertical and horizontal arrays as part of the solutions provided in the EV innovation family.

Technical specifications

| |
|---|
| Frequency response (-3 60 Hz-17 kHz ¹ dB): |
| Frequency range (-10 50 Hz-20 kHz ¹ dB): |
| Rotatable coverage: 40° x 30° |
| Rec. high-pass frequency: 60 Hz |
| Passive crossover 1300 Hz frequency: |

| | | | |
|---|--|--|--------------|
| Axial sensitivity: 106 dB (1 W/1 m) ¹ | | | |
| Max. calculated SPL: 139 dB ¹ | | | |
| Passive power handling: 500 W continuous, 2000 W peak ² | | | |
| Impedance: 8 Ω (nominal), 6.0 Ω (min) | | | |
| Transformer: | 70 V | 100 V | Z nom |
| Standard 50 Hz BW24 | 37.5 W | 75 W | 130 Ω |
| High Pass | 75 W | 150 W | 65 Ω |
| | 150 W | Do Not Use | 33 Ω |
| Transformer: | 70 V | 100 V | Z nom |
| 89 Hz High pass per EN54-24 spectrum | 50 W | 100 W | 100 Ω |
| | 100 W | 200 W | 50 Ω |
| | 200 W | 400 W | 25 Ω |
| LF Transducer - SMX2151, 15 in (381 mm) driver | | | |
| LF Axial sensitivity: 107 dB (1 W/1 m) ⁴ | | | |
| LF Max. calculated SPL: 139 dB | | | |
| LF Power handling: 400 W continuous, 1600 W peak ³ | | | |
| LF Impedance: 8 Ω (nominal), 6.1 Ω (min) | | | |
| HF Transducer - DH7N, 3 in (76 mm) diaphragm compression driver | | | |
| HF Axial sensitivity: 114 dB (1 W/1 m) ⁴ | | | |
| HF Max. calculated SPL: 139 dB | | | |
| HF Power handling: 75 W continuous, 300 W peak ³ | | | |
| HF Impedance: 8 Ω (nominal), 6.0 Ω (min.) | | | |
| Connectors: | Dual 4-pin 10 AWG Phoenix/Euro block screw-terminals | PI/FG versions - CDG dual-gland-nut input panel cover included | |
| Enclosure: | 13-ply weather-resistant birch with EVCoat | FG version - 13-ply weather-resistant birch with fiberglass finish | |
| Grille: | 16 GA powder-coated galvaneal with rotatable logo | PI/FG versions - Stainless steel with hydrophobic cloth | |
| Environmental: IEC 60529 IP55 for PI and FG versions | | | |
| Suspension: (28) M10 threaded suspension points | | | |
| Color: Black or white | | | |
| Dimensions (H x W x D): 30.26 in x 30.26 in x 26.77 in (768.6 mm x 768.6 mm x 680.1 mm) | | | |
| Net weight: 145.5 lb (66.1 kg) | | | |
| Shipping weight: 160.5 lb (72.9 kg) | | | |

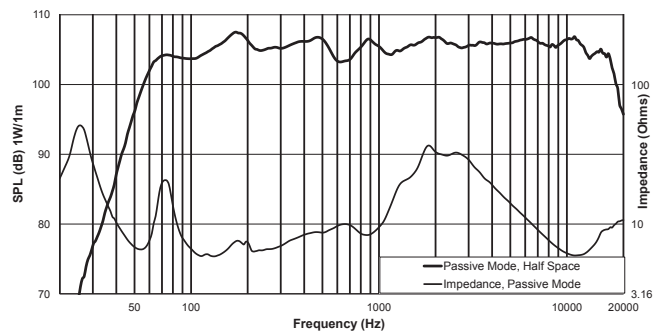
¹Half-space measurement

²EIA RS-426A, tested for eight hours

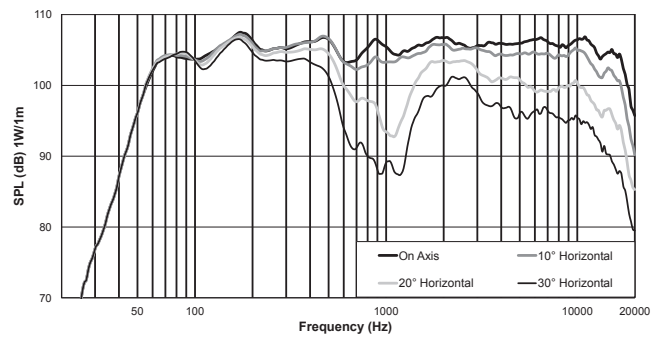
³AES 2-1984, tested for eight hours

⁴Arithmetic averages, 300-1,300 Hz (LF) and 1,300-5,000 Hz (HF)

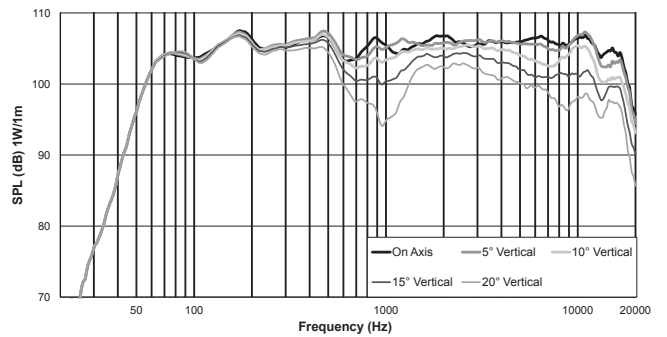
Frequency response and impedance:



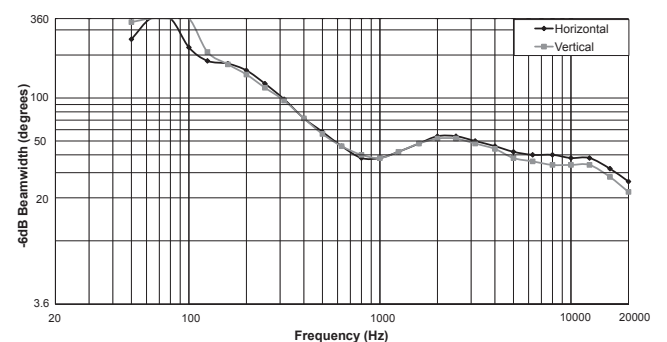
Horizontal off-axis frequency response (passive):



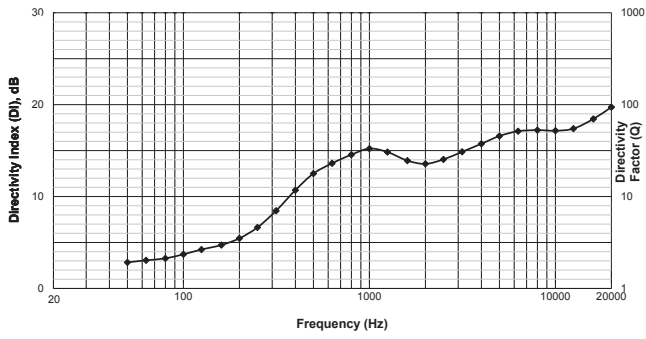
Vertical off-axis frequency response (passive):



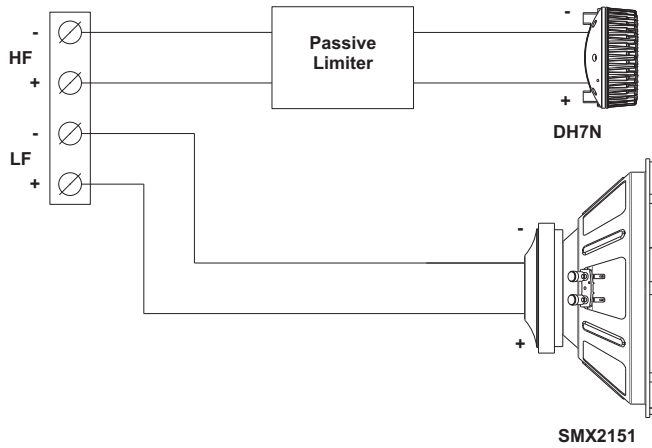
Beamwidth (active):



Directivity (Active):

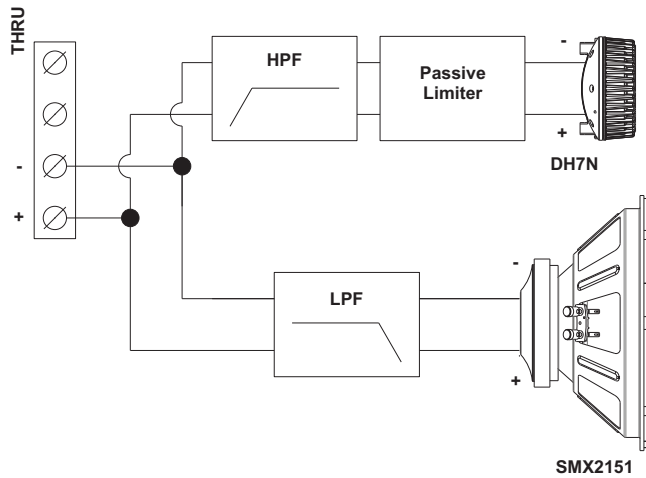


Block diagram (biamp):

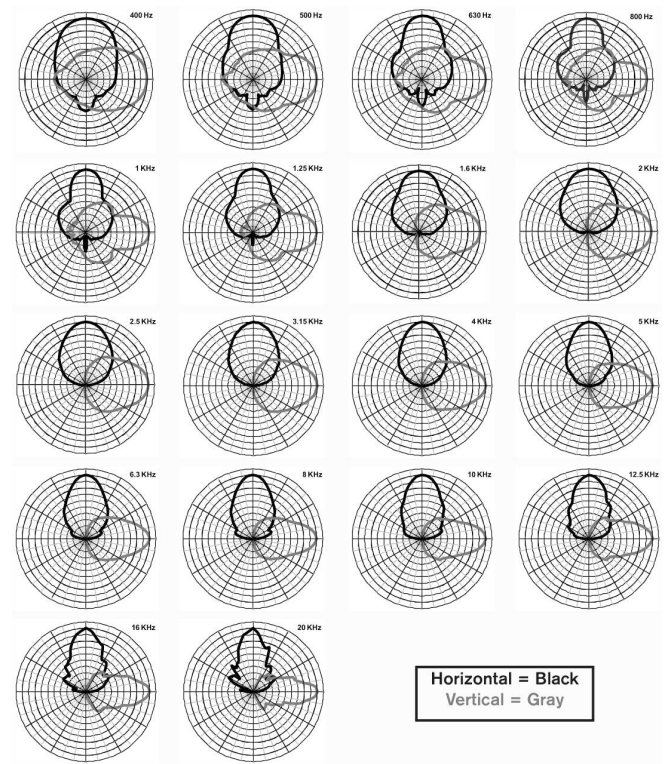


Block diagram (passive):

Standard shipping configuration

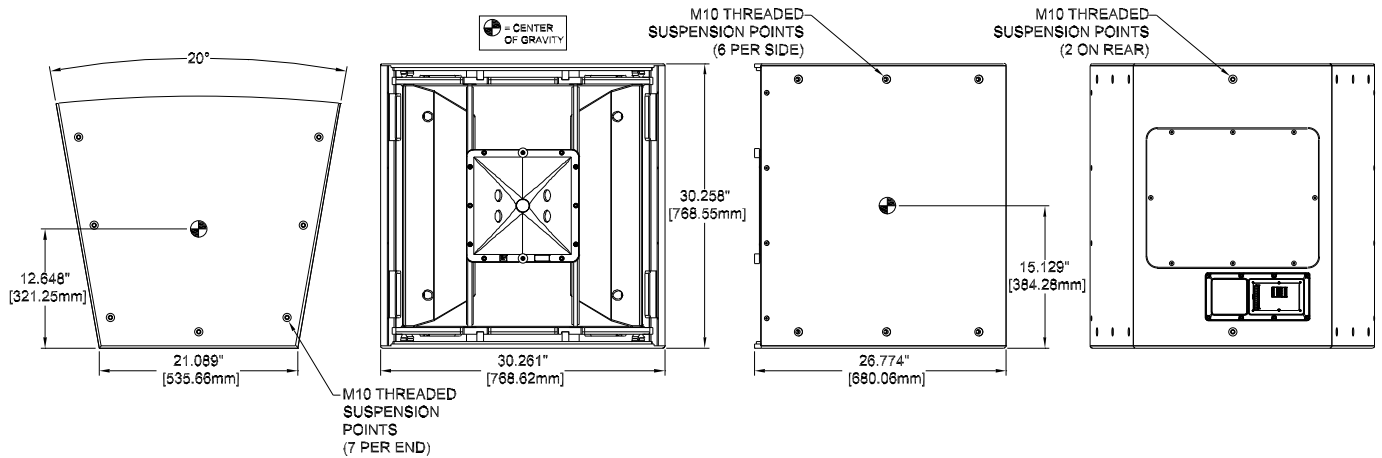


Horizontal and vertical polar response: (Polar plots 1/3 octave)



- (i) Notice**
Using EVH-1152D v.1.1 DSP standard IIR settings for the Beamwidth, Directivity and Polar Response.
- (i) Notice**
Acoustic measurement reference axis is the center of the grille.

Dimensions:



Notice

Electro-Voice loudspeakers and rigging accessories should be suspended overhead only in accordance with the procedures and limitations specified in the user documentation and installation manual. Electro-Voice products should be suspended with certified rigging hardware by an authorized rigging professional and in complete compliance with local, state, and federal overhead suspension ordinances.

Compatible System Solutions:

CPS2.9 CPS.9 Power Amplifier¹

CPS2.12 CPS 2.12 Power Amplifier¹

CPS4.10 CPS 4.10 Power Amplifier¹

¹Contact your sales representative for available voltage versions.

Ordering information

EVH1152D43BLB 15" speaker 40x30 indoor black

15" / 2-way Full-range Systems; SMX woofer & DH7N driver - 500 W cont.; 40° x 30°, EVCoat, black
Order number **EVH1152D43BLB | F.01U.272.794**

EVH1152D43WLB 15" speaker 40x30 indoor white

15" / 2-way Full-range Systems; SMX woofer & DH7N driver - 500 W cont.; 40° x 30°, EVCoat, white
Order number **EVH1152D43WLB | F.01U.272.795**

EVH1152D43PBLB 15" speaker 40x30 weathrized black

15" / 2-way Full-range Systems; SMX woofer & DH7N driver - 500 W cont.; 40° x 30°, PI-weatherized, black
Order number **EVH1152D43PBLB | F.01U.272.796**

EVH1152D43PWLB 15" speaker 40x30 weathrized white

15" / 2-way Full-range Systems; SMX woofer & DH7N driver - 500 W cont.; 40° x 30°, PI-weatherized, white
Order number **EVH1152D43PWLB | F.01U.272.797**

EVH1152D43-FBLB 15" speaker 40x30 fiberglass black

15" / 2-way Full-range Systems; SMX woofer & DH7N driver - 500 W cont.; 40° x 30°, Fiberglass, black
Order number **EVH1152D43-FBLB | F.01U.272.973**


EVH1152D43-FWLB 15" speaker 40x30 fiberglass white

15" / 2-way Full-range Systems; SMX woofer & DH7N driver - 500 W cont.; 40° x 30°, Fiberglass, white
Order number **EVH1152D43-FWLB | F.01U.272.974**

EVH-1152D/43-BLKE 15" 40x30 indoor black EN54-24

15" / 2-way Full-range Systems; SMX woofer & DH7N driver - 500 W cont.; 40° x 30°, EVCoat, black – EN54-24 certified

Order number **EVH-1152D/43-BLKE | F.01U.246.003**

| |
|---|
|  1438 |
| Bosch Security Systems Inc. 12000 Portland Ave South, Burnsville, MN 55337, USA 1438-CPR-0299 |
| EN 54-24:2008 Voice alarm loudspeakers for fire detection and fire alarm systems for buildings Loudspeakers type: EVH-1152D/43, EVH-1152D/64, EVH-1152D/66, EVH-1152D/94, EVH-1152D/96, EVH-1152D/99 (BLK, WHT, PIB, PIW) DoP: REG000666000 |

EN54-24 type B certification 1438-CPR-0299 with CDG cover installed **(Only available in select regions)**

Compatible System Solutions:

EVH-1152D/64 60° x 40° Coverage

EVH-1152D/66 60° x 60° Coverage

EVH-1152D/94 90° x 40° Coverage

EVH-1152D/96 90° x 60° Coverage

EVH-1152D/99 90° x 90° Coverage

EVF-2151D Dual 15 inch Subwoofer

EVF-1181S Single 18 inch Subwoofer

DX46 Dx46 Loudspeaker Controller¹

N8000 N8000 Digital Matrix Controller¹

EVH-1152D/43-WHTE

15" / 2-way Full-range Systems; SMX woofer & DH7N driver - 500 W cont.; 40° x 30°, EVCoat, white – EN54-24 certified

Order number **EVH-1152D/43-WHTE | F.01U.246.004**

EVH-1152D/43-PIBE 15" 40x30 weatherized black EN54-24

15" / 2-way Full-range Systems; SMX woofer & DH7N driver - 500 W cont.; 40° x 30°, PI-weatherized, black – EN54-24 certified

Order number **EVH-1152D/43-PIBE | F.01U.246.005**

EVH-1152D/43-PIWE

15" / 2-way Full-range Systems; SMX woofer & DH7N driver - 500 W cont.; 40° x 30°, PI-weatherized, white – EN54-24 certified

Order number **EVH-1152D/43-PIWE | F.01U.246.006**

Accessories

CSG-LB Input panel cover plate single gland nut

Single gland nut cover kit for EVA, EVC, EVF & EVH, black

Order number **CSG-LB | F.01U.283.496**

CDG-LB Input panel cover plate, dual gland nut

Dual gland nut cover kit for EVA, EVC, EVF & EVH

Order number **CDG-LB | F.01U.283.497**

CDNL4-LB Input panel cover plate, dual NL4 type

Dual NL4 cover kit for EVA, EVC, EVF & EVH, black

Order number **CDNL4-LB | F.01U.283.495**

TK-150 70/100 Volt transformer kit

Transformer kit for EVC, EVF, and EVH, 150W/70V

Order number **TK-150 | F.01U.132.318**

HRK-2B-LB Horizontal rigging kit black, EVF + EVH

Horizontal rigging kit for EVF & EVH full-range to EVF sub, black

Order number **HRK-2B-LB | F.01U.283.504**

HRK-2W-LB Horizontal rigging kit white, EVF + EVH

Horizontal rigging kit for EVF & EVH full-range to EVF sub, white

Order number **HRK-2W-LB | F.01U.283.505**

HRK-3B-LB Horizontal rig kit black, EVH + EVH

Horizontal rigging kit for EVH, black

Order number **HRK-3B-LB | F.01U.283.498**

HRK-3W-LB Horizontal rig kit white, EVH + EVH

Horizontal rigging kit for EVH, white

Order number **HRK-3W-LB | F.01U.283.499**

VRK-2B-LB Vertical rigging kit black, EVF + EVH

Vertical rigging kit for EVF & EVH full-range to EVF subs, black

Order number **VRK-2B-LB | F.01U.283.508**

VRK-2W-LB Vertical rigging kit white, EVF + EVH

Vertical rigging kit for EVF & EVH full-range to EVF subs, white

Order number **VRK-2W-LB | F.01U.283.509**

VRK-3B-LB Vertical rig kit black, EVH + EVH

Vertical rigging kit for EVH, black

Order number **VRK-3B-LB | F.01U.283.500**

VRK-3W-LB Vertical rig kit white, EVH + EVH

Vertical rigging kit for EVH, white

Order number **VRK-3W-LB | F.01U.283.501**

Represented by:

Germany:
Bosch Sicherheitssysteme GmbH
Robert-Bosch-Ring 5
85630 Grasbrunn
Germany
www.electrovoice.com

Bosch Security Systems, LLC
12000 Portland Avenue South
Burnsville MN 55337
USA