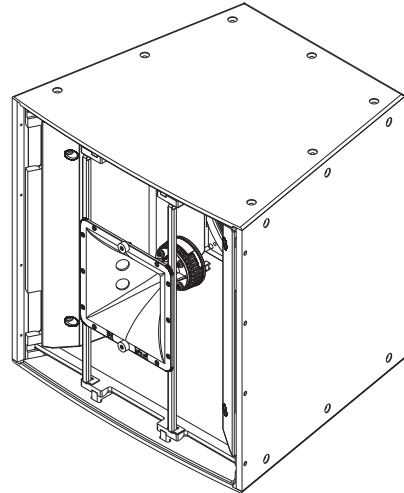


# EVH-1152D/64 Premium arrayable point-source coaxial horn-loaded loudspeaker

- Rotatable Mid-bass and High Frequency Waveguides for consistent pattern control down to 500 Hz
- Rotatable mid- and high-frequency constant directivity waveguides
- Partially-weatherized PI and fully-weatherized FG versions available with gland nut and stainless-steel grille rated IEC 60529 IP55
- Integrates easily with EVF Low Frequency and Subwoofer Systems
- EN54-24 type B certification 1438-CPR-0299 with CDG cover installed **(Only available in select regions)**



The Electro-Voice EVH-1152D/64 is a high-power, two-way horn-loaded coaxial loudspeaker system that can be used in a wide variety of applications where excellent intelligibility, wide bandwidth directivity control, and high efficiency are required in a compact, cost-effective package.

For high frequencies, the EVH-1152D/64 utilizes the DH7N, a high-output 3-inch titanium compression driver, coupled to a rotatable Constant Directivity 60° x 40° waveguide. Both the mid-bass and high frequency waveguides may be rotated to maintain uniform pattern control over the entire critical vocal range regardless of enclosure orientation. For low frequencies, the SMX2151 15-inch woofer was developed using FEA optimization for motor, suspension, and electrical design to ensure very low distortion, high efficiency, and maximum intelligibility at high SPL. The crossover uses steep, 24-dB per-octave slopes with equalization for very smooth response in the vocal range, linear off-axis response, and an HF protection circuit for long-term reliability. This combination of technologies results in extended frequency response and excellent pattern control down to 500 Hz.

The EVH-1152D/64 features make it ideal for many fixed-install applications. The trapezoidal enclosure is constructed out of weather-resistant birch and coated with EVCoat for enhanced durability. For protection against outdoor elements, weatherized versions are available (PI and FG). The enclosure is built with 28

M10 suspension points for single hang (four shoulder eyebolts included) or an array (optional HRK or VRK kits).

The innovative input panel provides Phoenix-style connectors (included in all models) and a dual gland nut cover plate (CDG included in PI and FG models). For convenience in temporary installation you may add a dual NL4 type connector cover plate (CDNL4). An external easy to access jumper card is provided with each loudspeaker to assist you in the selection of passive (standard shipping configuration) or bi-amp operation. An available 70.7/100 Volt internal transformer kit (TK-150) may be easily mounted to the input panel for use in distributed systems. No matter what the application and budget, all these features provide you with the tools to increase flexibility during system design to meet and support your customer's requirements with fewer items in inventory.

EVF and EVH loudspeakers feature precise acoustics and rigging design for easy to configure vertical and horizontal arrays as part of the solutions provided in the EV innovation family.

## Technical specifications

Frequency Response (-3 dB):	60 Hz - 17 kHz <sup>1</sup>
Frequency Range (-10 dB):	50 Hz - 20 kHz <sup>1</sup>
Rotatable Coverage:	60° x 40°
Rec. High-Pass Frequency:	60 Hz

Passive Crossover Frequency: 1300 Hz			
Axial Sensitivity: 105 dB (1 W/1 m) <sup>1</sup>			
Max. Calculated SPL: 138 dB <sup>1</sup>			
Passive Power Handling: 500 W Continuous, 2000 W Peak <sup>2</sup>			
Impedance: 8 Ω (nominal), 6.0 Ω (min.)			
Transformer:	<b>70 V</b>	<b>100 V</b>	<b>Z nom</b>
Standard 50 Hz BW24 High	37.5 W	75 W	130 Ω
Pass	75 W	150 W	65 Ω
	150 W	Do Not Use	33 Ω
Transformer:	<b>70 V</b>	<b>100 V</b>	<b>Z nom</b>
89 Hz High Pass per EN54-24	50 W	100 W	100 Ω
Spectrum	100 W	200 W	50 Ω
	200 W	400 W	25 Ω
<b>LF Transducer - SMX2151, 15 in (381 mm) driver</b>			
LF Axial Sensitivity: 106 dB (1 W/1 m) <sup>4</sup>			
LF Max. Calculated SPL: 138 dB			
LF Power Handling: 400 W Continuous, 1600 W Peak <sup>3</sup>			
LF Impedance: 8 Ω (nominal), 6.1 Ω (min.)			
<b>HF Transducer - DH7N, 3 in (76 mm) diaphragm compression driver</b>			
HF Axial Sensitivity: 113 dB (1 W/1 m) <sup>4</sup>			
HF Max. Calculated SPL: 138 dB			
HF Power Handling: 75 W Continuous, 300 W Peak <sup>3</sup>			
HF Impedance: 8 Ω (nominal), 6.0 Ω (min.)			
Connectors: Dual 4-pin 10 AWG Phoenix/Euro Block screw-terminals	PI/FG Versions: CDG dual-gland-nut input panel cover included		
Enclosure: 13-ply weather-resistant birch with EVCoat	FG Version: 13-ply weather-resistant birch with fiberglass finish		
Grille: 16 GA powder-coated galvanized with rotatable logo	PI/FG Versions: Stainless steel with hydrophobic cloth		
Environmental: IEC 60529 IP55 for PI and FG versions			
Suspension: (28) M10 threaded suspension points			
Color: Black or white			
Dimensions (H x W x D): 30.26 in x 30.26 in x 26.77 in (768.6 mm x 768.6 mm x 680.1 mm)			
Net Weight: 145.5 lb (66.1 kg)			
Net Shipping: 160.5 lb (72.9 kg)			

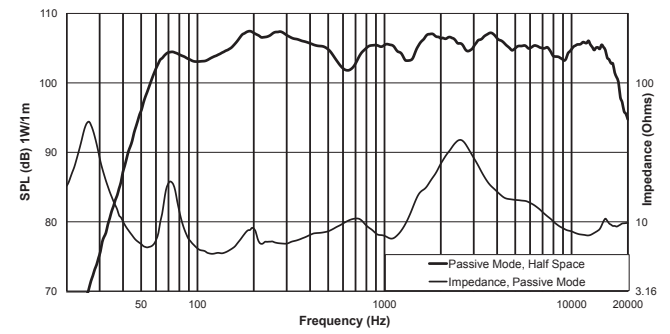
<sup>1</sup>Half-space measurement

<sup>2</sup>EIA RS-426A, tested for eight hours

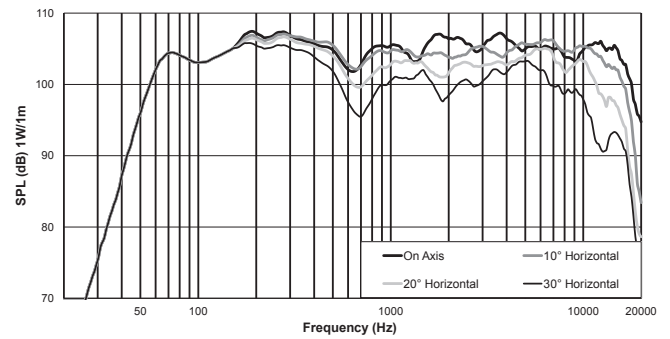
<sup>3</sup>AES 2-1984, tested for eight hours

<sup>4</sup>Arithmetic averages, 300-1,300 Hz (LF) and 1,300-5,000 Hz (HF)

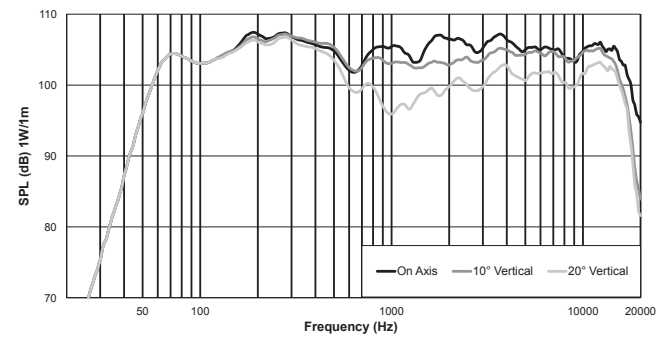
**Frequency Response and Impedance:**



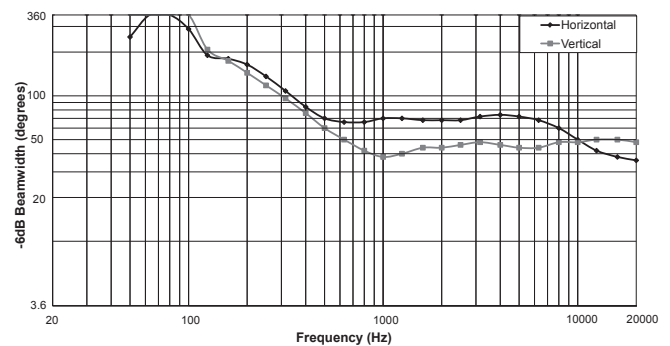
**Horizontal Off-Axis Frequency Response:**



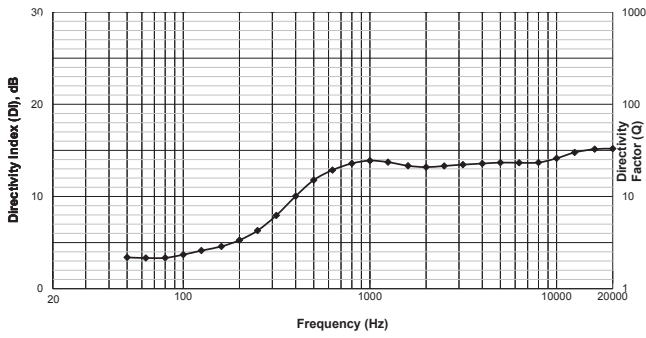
**Vertical Off-Axis Frequency Response:**



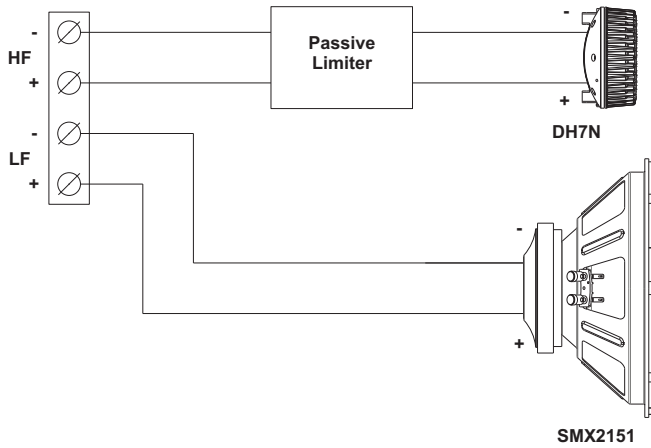
**Beamwidth (Active):**



**Directivity (Active):**

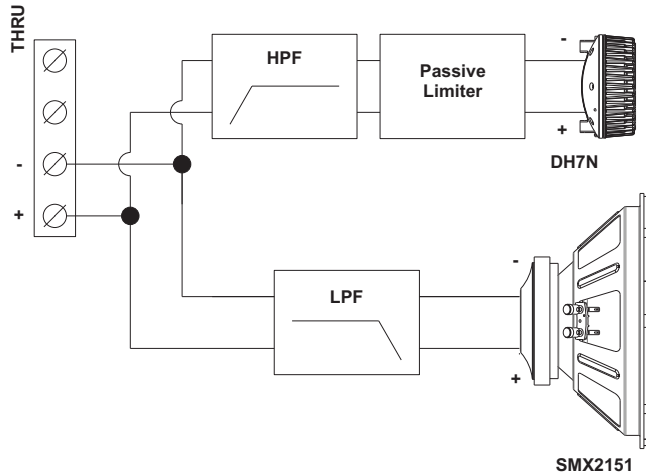


**Block Diagram (Biamp):**



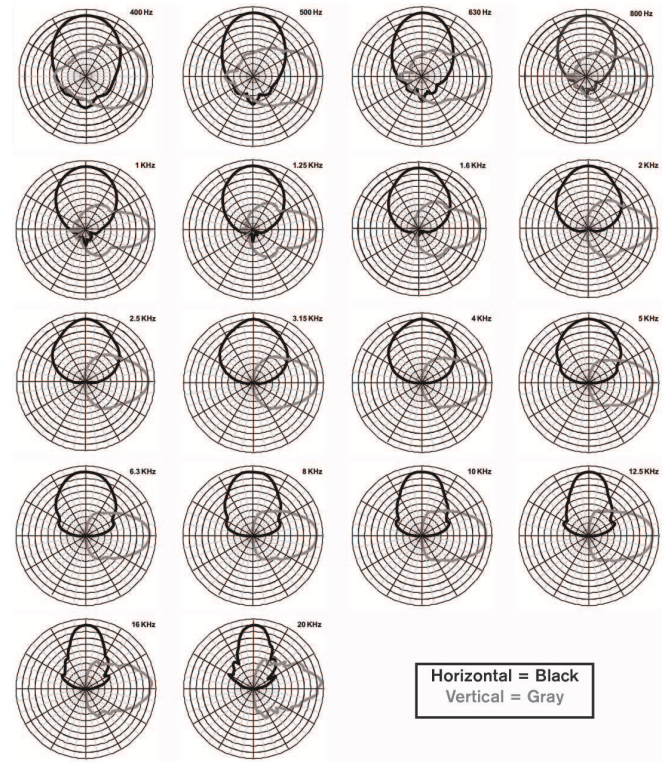
**Block Diagram (Passive):**

Standard shipping configuration



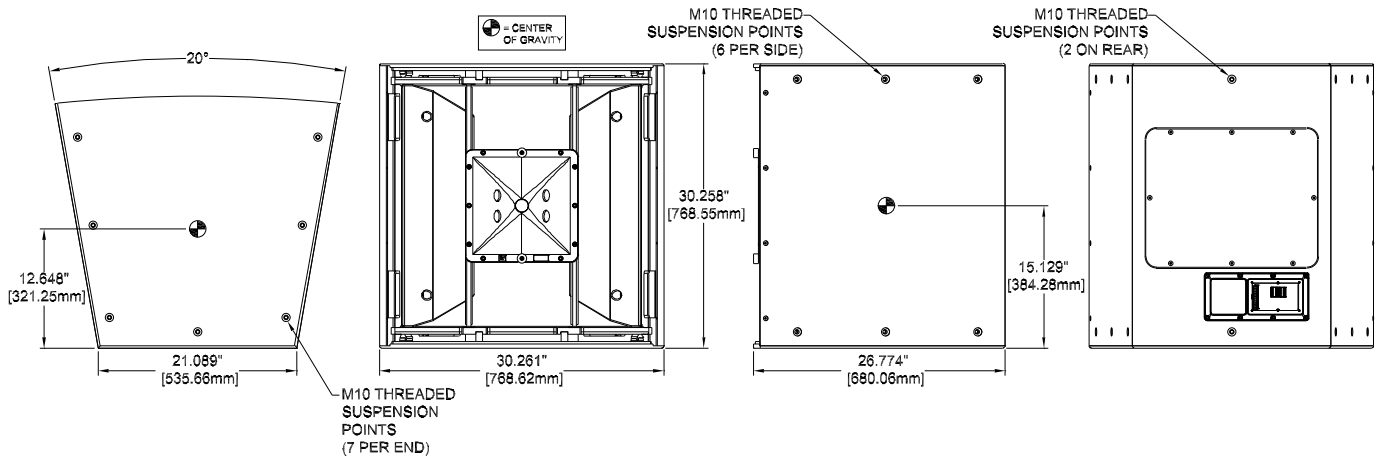
**Horizontal and Vertical Polar Response (Active):**

Polar plots (1/3 octave)




- i Notice**  
Using EVH-1152D v.1.1 DSP standard IIR settings for the Beamwidth, Directivity and Polar Response.
- i Notice**  
Acoustic measurement reference axis is the center of the grille.

**Dimension Drawing:**



**Notice**

This Electro-Voice loudspeaker should be suspended overhead only in accordance with the procedures and limitations specified in the User's Manual. This system should be suspended with certified rigging hardware by an authorized rigging professional and in compliance with local, state, and federal overhead suspension ordinances.

 1438
Bosch Security Systems Inc. 12000 Portland Ave South, Burnsville, MN 55337, USA  1438-CPR-0299
EN 54-24:2008 Voice alarm loudspeakers for fire detection and fire alarm systems for buildings  Loudspeakers type: EVH-1152D/43, EVH-1152D/64, EVH-1152D/66, EVH-1152D/94, EVH-1152D/96, EVH-1152D/99 (BLK, WHT, PIB, PIW) DoP: REG000666000

EN54-24 type B certification 1438-CPR-0299 with CDG cover installed **(Only available in select regions)**

**Compatible System Solutions:**

EVH-1152D/43	40° x 30° Coverage
EVH-1152D/66	60° x 60° Coverage
EVH-1152D/94	90° x 40° Coverage
EVH-1152D/96	90° x 60° Coverage
EVH-1152D/99	90° x 90° Coverage
EVF-2151D	Dual 15 inch Bass Element
EVF-1181S	Single 18 inch Bass Element
DX46	Dx46 Loudspeaker Controller <sup>5</sup>
N8000	N8000 Digital Matrix Controller <sup>5</sup>
CPS2.9	CPS 2.9 Power Amplifier <sup>1</sup>

**Compatible System Solutions:**

CPS2.12	CPS 2.12 Power Amplifier <sup>1</sup>
CPS4.10	CPS 4.10 Power Amplifier <sup>1</sup>

<sup>1</sup>Contact your sales representative for voltage information.

**Ordering information**

**EVH1152D64BLB 15" speaker 60x40 indoor black**  
 15" / 2-way Full-range Systems; SMX woofer & DH7N driver - 500 W cont.; 60° x 40°, EVCoat, black  
 Order number **EVH1152D64BLB | F.01U.272.798**

**EVH1152D64WLB 15" speaker 60x40 indoor white**  
 15" / 2-way Full-range Systems; SMX woofer & DH7N driver - 500 W cont.; 60° x 40°, EVCoat, white  
 Order number **EVH1152D64WLB | F.01U.272.799**

**EVH1152D64PBLB 15" speaker 60x40 weathrized black**  
 15" / 2-way Full-range Systems; SMX woofer & DH7N driver - 500 W cont.; 60° x 40°, EVCoat, PI-weatherized, black  
 Order number **EVH1152D64PBLB | F.01U.272.800**

**EVH1152D64PWLB 15" speaker 60x40 weathrized white**  
 15" / 2-way Full-range Systems; SMX woofer & DH7N driver - 500 W cont.; 60° x 40°, EVCoat, PI-weatherized, white  
 Order number **EVH1152D64PWLB | F.01U.272.801**

**EVH1152D64-FBLB 15" speaker 60x40 fiberglass black**  
 15" / 2-way Full-range Systems; SMX woofer & DH7N driver - 500 W cont.; 60° x 40°, EVCoat, fiberglass, black  
 Order number **EVH1152D64-FBLB | F.01U.272.975**

**EVH1152D64-FWLB 15" speaker 60x40 fiberglass white**  
 15" / 2-way Full-range Systems; SMX woofer & DH7N driver - 500 W cont.; 60° x 40°, EVCoat, fiberglass, white  
 Order number **EVH1152D64-FWLB | F.01U.272.976**

**EVH-1152D/64-BLKE**  
 15" / 2-way Full-range Systems; SMX woofer & DH7N driver - 500 W cont.; 60° x 40°, EVCoat, black – EN54-24 certified  
 Order number **EVH-1152D/64-BLKE | F.01U.246.008**

**EVH-1152D/64-WHITE**

15" / 2-way Full-range Systems; SMX woofer & DH7N driver - 500 W cont.; 60° x 40°, EVCoat, white – EN54-24 certified

Order number **EVH-1152D/64-WHITE | F.01U.246.009**

**EVH-1152D/64-PIBE 15" 60x40 weatherized black EN54-24**

15" / 2-way Full-range Systems; SMX woofer & DH7N driver - 500 W cont.; 60° x 40°, EVCoat, PI-weatherized, black – EN54-24 certified

Order number **EVH-1152D/64-PIBE | F.01U.246.010**

**EVH-1152D/64-PIWE 15" 60x40 weatherized white EN54-24**

15" / 2-way Full-range Systems; SMX woofer & DH7N driver - 500 W cont.; 60° x 40°, EVCoat, PI-weatherized, white – EN54-24 certified

Order number **EVH-1152D/64-PIWE | F.01U.246.011**

**Accessories**

**CSG-LB Input panel cover plate single gland nut**

Single gland nut cover kit for EVA, EVC, EVF & EVH, black

Order number **CSG-LB | F.01U.283.496**

**CDG-LB Input panel cover plate, dual gland nut**

Dual gland nut cover kit for EVA, EVC, EVF & EVH

Order number **CDG-LB | F.01U.283.497**

**CDNL4-LB Input panel cover plate, dual NL4 type**

Dual NL4 cover kit for EVA, EVC, EVF & EVH, black

Order number **CDNL4-LB | F.01U.283.495**

**TK-150 70/100 Volt transformer kit**

Transformer kit for EVC, EVF, and EVH, 150W/70V

Order number **TK-150 | F.01U.132.318**

**HRK-2B-LB Horizontal rigging kit black, EVF + EVH**

Horizontal rigging kit for EVF & EVH full-range to EVF sub, black

Order number **HRK-2B-LB | F.01U.283.504**

**HRK-2W-LB Horizontal rigging kit white, EVF + EVH**

Horizontal rigging kit for EVF & EVH full-range to EVF sub, white

Order number **HRK-2W-LB | F.01U.283.505**

**HRK-3B-LB Horizontal rig kit black, EVH + EVH**

Horizontal rigging kit for EVH, black

Order number **HRK-3B-LB | F.01U.283.498**

**HRK-3W-LB Horizontal rig kit white, EVH + EVH**

Horizontal rigging kit for EVH, white

Order number **HRK-3W-LB | F.01U.283.499**

**VRK-2B-LB Vertical rigging kit black, EVF + EVH**

Vertical rigging kit for EVF & EVH full-range to EVF subs, black

Order number **VRK-2B-LB | F.01U.283.508**

**VRK-2W-LB Vertical rigging kit white, EVF + EVH**

Vertical rigging kit for EVF & EVH full-range to EVF subs, white

Order number **VRK-2W-LB | F.01U.283.509**

**VRK-3B-LB Vertical rig kit black, EVH + EVH**

Vertical rigging kit for EVH, black

Order number **VRK-3B-LB | F.01U.283.500**

**VRK-3W-LB Vertical rig kit white, EVH + EVH**

Vertical rigging kit for EVH, white

Order number **VRK-3W-LB | F.01U.283.501**

**Represented by:**

**Germany:**  
Bosch Sicherheitssysteme GmbH  
Robert-Bosch-Ring 5  
85630 Grasbrunn  
Germany  
www.electrovoice.com

Bosch Security Systems, LLC  
12000 Portland Avenue South  
Burnsville MN 55337  
USA