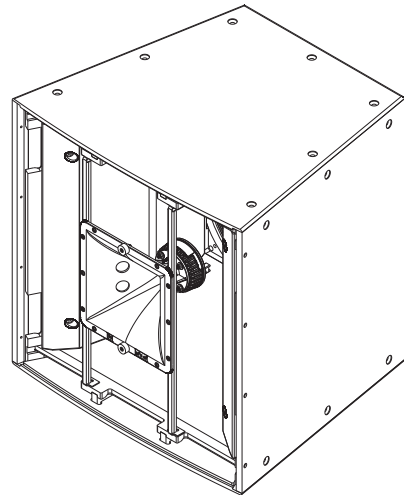


EVH-1152D/66 Premium arrayable point-source coaxial horn-loaded loudspeaker

- Rotatable Mid-bass and High Frequency Waveguides for consistent pattern control down to 500 Hz
- Rotatable mid- and high-frequency constant directivity waveguides
- Partially-weatherized PI and fully-weatherized FG versions available with gland nut and stainless-steel grille rated IEC 60529 IP55
- Integrates easily with EVF Low Frequency and Subwoofer Systems
- EN54-24 type B certification 1438-CPR-0299 with CDG cover installed **(Only available in select regions)**



The Electro-Voice EVH-1152D/43 is a high-power, two-way horn-loaded coaxial loudspeaker system that can be used in a wide variety of applications where excellent intelligibility, wide bandwidth directivity control, and high efficiency are required in a compact, cost-effective package.

For high frequencies, the EVH-1152D/43 utilizes the DH7N, a high-output 3-inch titanium compression driver, coupled to a rotatable Constant Directivity 40° x 30° waveguide. Both the mid-bass and high frequency waveguides may be rotated to maintain uniform pattern control over the entire critical vocal range regardless of enclosure orientation. For low frequencies, the SMX2151 15-inch woofer was developed using FEA optimization for motor, suspension, and electrical design to ensure very low distortion, high efficiency, and maximum intelligibility at high SPL. The crossover uses steep, 24-dB per-octave slopes with equalization for very smooth response in the vocal range, linear off-axis response, and an HF protection circuit for long-term reliability. This combination of technologies results in extended frequency response and excellent pattern control down to 500 Hz.

The EVH-1152D/43 features make it ideal for many fixed-install applications. The trapezoidal enclosure is constructed out of weather-resistant birch and coated with EVCoat for enhanced durability. For protection against outdoor elements, weatherized versions are available (PI and FG). The enclosure is built with 28

M10 suspension points for single hang (four shoulder eyebolts included) or an array (optional HRK or VRK kits).

The innovative input panel provides Phoenix-style connectors (included in all models) and a dual gland nut cover plate (CDG included in PI and FG models). For convenience in temporary installation you may add a dual NL4 type connector cover plate (CDNL4). An external easy to access jumper card is provided with each loudspeaker to assist you in the selection of passive (standard shipping configuration) or bi-amp operation. An available 70.7/100 Volt internal transformer kit (TK-150) may be easily mounted to the input panel for use in distributed systems. No matter what the application and budget, all these features provide you with the tools to increase flexibility during system design to meet and support your customer's requirements with fewer items in inventory.

EVF and EVH loudspeakers feature precise acoustics and rigging design for easy to configure vertical and horizontal arrays as part of the solutions provided in the EV innovation family.

Technical specifications

Frequency Response (-3 dB): 60 Hz - 17 kHz ¹
Frequency Range (-10 dB): 50 Hz - 20 kHz ¹
Rotatable Coverage: 60° x 60°
Rec. High-Pass Frequency: 60 Hz

Passive Crossover Frequency:	1300 Hz		
Axial Sensitivity:	105 dB (1 W/1 m) ¹		
Max. Calculated SPL:	138 dB ¹		
Passive Power Handling:	500 W Continuous, 2000 W Peak ²		
Impedance:	8 Ω (nominal), 6.0 Ω (min.)		
Transformer:	70 V	100 V	Z nom
Standard 50 Hz BW24 High Pass	37.5 W	75 W	130 Ω
	75 W	150 W	65 Ω
	150 W	Do Not Use	33 Ω
Transformer:	70 V	100 V	Z nom
89 Hz High Pass per EN54-24 Spectrum	50 W	100 W	100 Ω
	100 W	200 W	50 Ω
	200 W	400 W	25 Ω
LF Transducer - SMX2151, 15 in (381 mm) driver			
LF Axial Sensitivity:	106 dB (1 W/1 m) ⁴		
LF Max. Calculated SPL:	138 dB		
LF Power Handling:	400 W Continuous, 1600 W Peak ³		
LF Impedance:	8 Ω (nominal), 6.1 Ω (min.)		
HF Transducer - DH7N, 3 in (76 mm) diaphragm compression driver			
HF Axial Sensitivity:	112 dB (1 W/1 m) ⁴		
HF Max. Calculated SPL:	137 dB		
HF Power Handling:	75 W Continuous, 300 W Peak ³		
HF Impedance:	8 Ω (nominal), 6.0 Ω (min.)		
Connectors:	Dual four-pin 10 AWG Phoenix/Euro Block screw-terminals	PI/FG Versions:	CDG dual-gland-nut input panel cover included
Enclosure:	13-ply weather-resistant birch with EVCoat	FG Version:	13-ply weather-resistant birch with fiberglass finish
Grille:	16 GA powder-coated galvanized with rotatable logo	PI/FG Versions:	Stainless steel with hydrophobic cloth
Environmental:	IEC 60529 IP55 for PI and FG versions		
Suspension:	(28) M10 threaded suspension points		
Color:	Black or white		
Dimensions (H x W x D):	30.26 in x 30.26 in x 26.77 in (768.6 mm x 768.6 mm x 680.1 mm)		
Net Weight:	145.5 lb (66.1 kg)		
Shipping Weight:	160.5 lb (72.9 kg)		

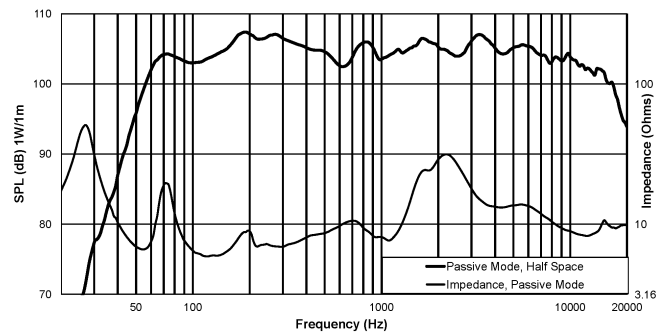
¹Half-space measurement

²EIA RS-426A, tested for eight hours

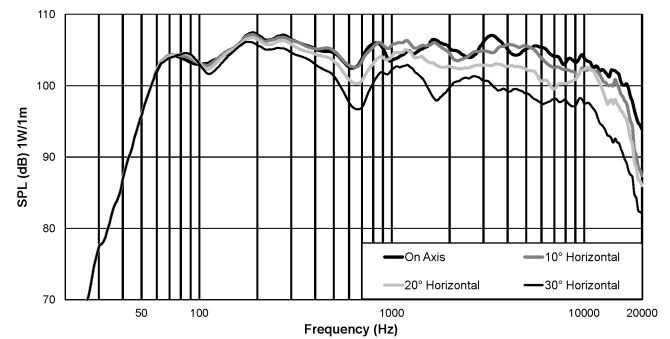
³AES 2-1984, tested for eight hours

⁴Arithmetic averages, 300-1,300 Hz (LF) and 1,300-5,000 Hz (HF)

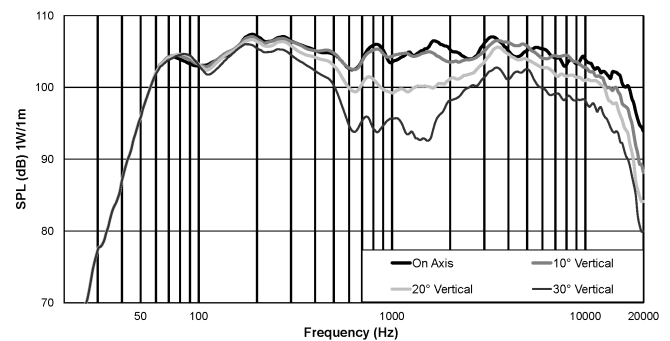
Frequency response and impedance:



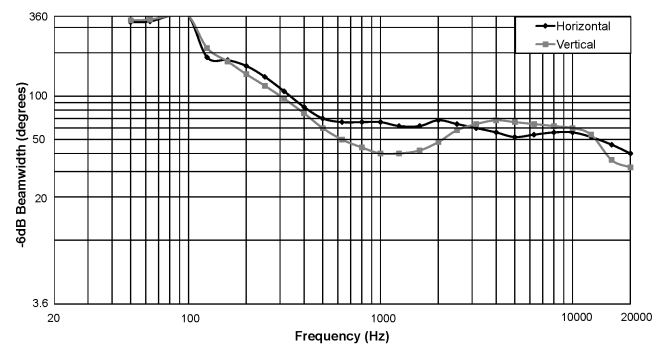
Horizontal off-axis frequency response:



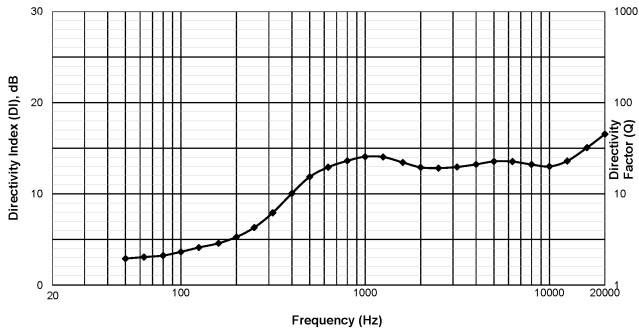
Vertical off-axis frequency response (down):



Beamwidth (active):

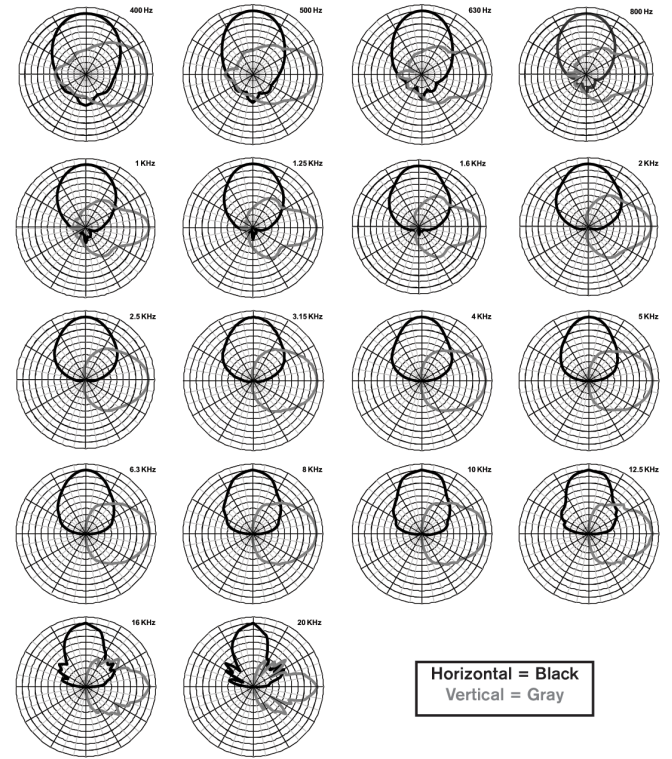


Directivity (Active):

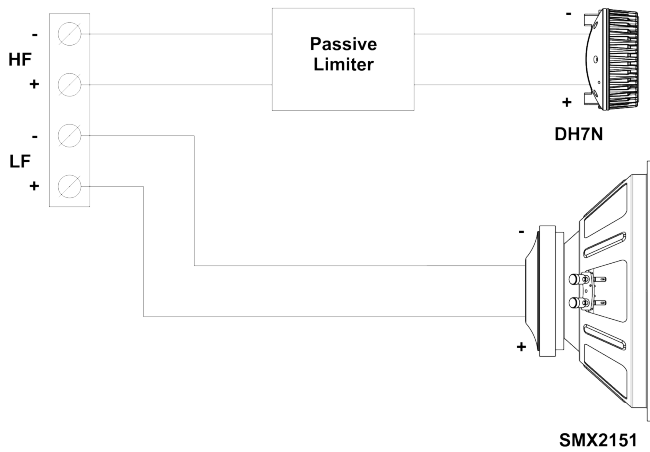


Horizontal and Vertical Polar Response (Active):

Polar plots (1/3 octave)

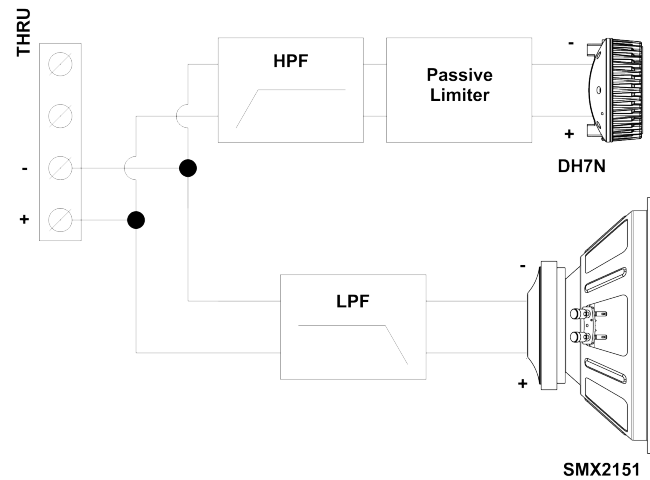


Block diagram (biamp):



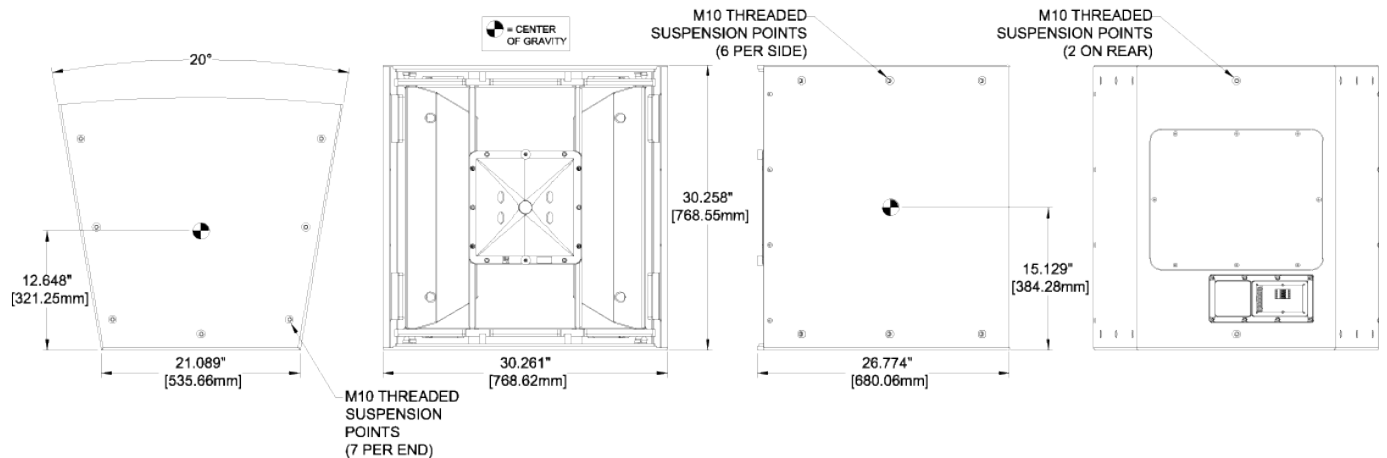
Block diagram (passive):

Standard shipping configuration



- i Notice**
Using EVH-1152D v.1.1 DSP standard IIR settings for the Beamwidth, Directivity and Polar Response.
- i Notice**
Acoustic measurement reference axis is the center of the grille.

Dimensions:



Notice

This Electro-Voice loudspeaker should be suspended overhead only in accordance with the procedures and limitations specified in the User's Manual and possible manual update notices. This system should be suspended with certified rigging hardware by an authorized rigging professional and in compliance with local, state, and federal overhead suspension ordinances.

Compatible System Solutions, Electronics:

- N8000 Digital Matrix Controller¹
- CPS 2.9 Power Amplifier¹
- CPS 2.12 Power Amplifier¹
- CPS 4.10 Power Amplifier¹

¹Contact your sales representative for voltage information.

Ordering information

EVH1152D66BLB 15" speaker 60x60 indoor black
 15" / 2-way Full-range Systems; SMX woofer & DH7N driver - 500 W cont.; 60° x 60°, EVCoat, black
 Order number **EVH1152D66BLB | F.01U.272.802**

EVH1152D66WLB 15" speaker 60x60 indoor white
 15" / 2-way Full-range Systems; SMX woofer & DH7N driver - 500 W cont.; 60° x 60°, EVCoat, white
 Order number **EVH1152D66WLB | F.01U.272.803**

EVH1152D66PBLB 15" speaker 60x60 weathrized black
 15" / 2-way Full-range Systems; SMX woofer & DH7N driver - 500 W cont.; 60° x 60°, EVCoat, PI-weatherized, black
 Order number **EVH1152D66PBLB | F.01U.272.804**

EVH1152D66PWLB 15" speaker 60x60 weathrized white
 15" / 2-way Full-range Systems; SMX woofer & DH7N driver - 500 W cont.; 60° x 60°, EVCoat, PI-weatherized, white
 Order number **EVH1152D66PWLB | F.01U.272.805**

EVH1152D66-FBLB 15" speaker 60x60 fiberglass black
 15" / 2-way Full-range Systems; SMX woofer & DH7N driver - 500 W cont.; 60° x 60°, EVCoat, fiberglass, black
 Order number **EVH1152D66-FBLB | F.01U.272.977**

EVH1152D66-FWLB 15" speaker 60x60 fiberglass white
 15" / 2-way Full-range Systems; SMX woofer & DH7N driver - 500 W cont.; 60° x 60°, EVCoat, fiberglass, white
 Order number **EVH1152D66-FWLB | F.01U.272.978**

EVH-1152D/66-BLKE
 15" / 2-way Full-range Systems; SMX woofer & DH7N driver - 500 W cont.; 60° x 60°, EVCoat, black – EN54-24 certified
 Order number **EVH-1152D/66-BLKE | F.01U.246.013**

Sachsenring 60, 94315 Straubing, Germany 1438-CPR-0299 Year of affixing the CE-Mark: 2013
EN 54-24:2008 Voice alarm Loudspeakers for fire detection and fire alarm systems for buildings Loudspeakers type: EVH-1152D/43, EVH-1152D/64, EVH-1152D/66, EVH-1152D/94, EVH-1152D/96, EVH-1152D/99 (BLK, WHT, PIB, PIW)

EN54-24 type B certification 1438/CPR/0299 with CDG cover installed **(Only available in select regions).**

Compatible System Solutions:

- EVH-1152D/43 40° x 30° Coverage
- EVH-1152D/64 60° x 40° Coverage
- EVH-1152D/94 90° x 40° Coverage
- EVH-1152D/96 90° x 60° Coverage
- EVH-1152D/99 90° x 90° Coverage
- EVF-2151D Dual 15 inch Bass Element
- EVF-1181S Single 18 inch Bass Element

Compatible System Solutions, Electronics:

- Dx46 Loudspeaker Controller¹

EVH-1152D/66-WHITE

15" / 2-way Full-range Systems; SMX woofer & DH7N driver - 500 W cont.; 60° x 60°, EVCoat, white – EN54-24 certified
Order number **EVH-1152D/66-WHITE | F.01U.246.014**

EVH-1152D/66-PIBE 15" 60x60 weatherized black EN54-24

15" / 2-way Full-range Systems; SMX woofer & DH7N driver - 500 W cont.; 60° x 60°, EVCoat, PI-weatherized, black – EN54-24 certified
Order number **EVH-1152D/66-PIBE | F.01U.246.015**

EVH-1152D/66-PIWE 15" 60x60 weatherized white EN54-24

15" / 2-way Full-range Systems; SMX woofer & DH7N driver - 500 W cont.; 60° x 60°, EVCoat, PI-weatherized, white – EN54-24 certified
Order number **EVH-1152D/66-PIWE | F.01U.246.016**

Accessories

CSG-LB Input panel cover plate single gland nut

Single gland nut cover kit for EVA, EVC, EVF & EVH, black
Order number **CSG-LB | F.01U.283.496**

CDG-LB Input panel cover plate, dual gland nut

Dual gland nut cover kit for EVA, EVC, EVF & EVH
Order number **CDG-LB | F.01U.283.497**

CDNL4-LB Input panel cover plate, dual NL4 type

Dual NL4 cover kit for EVA, EVC, EVF & EVH, black
Order number **CDNL4-LB | F.01U.283.495**

TK-150 70/100 Volt transformer kit

Transformer kit for EVC, EVF, and EVH, 150W/70V
Order number **TK-150 | F.01U.132.318**

HRK-2B-LB Horizontal rigging kit black, EVF + EVH

Horizontal rigging kit for EVF & EVH full-range to EVF sub, black
Order number **HRK-2B-LB | F.01U.283.504**

HRK-2W-LB Horizontal rigging kit white, EVF + EVH

Horizontal rigging kit for EVF & EVH full-range to EVF sub, white
Order number **HRK-2W-LB | F.01U.283.505**

HRK-3B-LB Horizontal rig kit black, EVH + EVH

Horizontal rigging kit for EVH, black
Order number **HRK-3B-LB | F.01U.283.498**

HRK-3W-LB Horizontal rig kit white, EVH + EVH

Horizontal rigging kit for EVH, white
Order number **HRK-3W-LB | F.01U.283.499**

VRK-2B-LB Vertical rigging kit black, EVF + EVH

Vertical rigging kit for EVF & EVH full-range to EVF subs, black
Order number **VRK-2B-LB | F.01U.283.508**

VRK-2W-LB Vertical rigging kit white, EVF + EVH

Vertical rigging kit for EVF & EVH full-range to EVF subs, white
Order number **VRK-2W-LB | F.01U.283.509**

VRK-3B-LB Vertical rig kit black, EVH + EVH

Vertical rigging kit for EVH, black
Order number **VRK-3B-LB | F.01U.283.500**

VRK-3W-LB Vertical rig kit white, EVH + EVH

Vertical rigging kit for EVH, white
Order number **VRK-3W-LB | F.01U.283.501**

Represented by:

Germany:
Bosch Sicherheitssysteme GmbH
Robert-Bosch-Ring 5
85630 Grasbrunn
Germany
www.electrovoice.com

Bosch Security Systems, LLC
12000 Portland Avenue South
Burnsville MN 55337
USA