



# Sx600 High Output Two-way Loudspeaker

- Very High Sensitivity, 105 dB 1 W/1 m (139 dB Peak SPL)
- Easy, Versatile, SuperSAM Mounting System included
- All Weather IEC 529 IP 44 & Mil Spec 810 Environmental Specs
- Available 600 Watt Internal Transformer (Sx600PIX)
- EN54-24 Type B certification 1438-CPR-0300



The Electro-Voice Sx600PI and Sx600PIX are higher power extensions of the popular Sx-series of weather-resistant indoor/outdoor speaker systems. The Sx600 series features a dual 12 inch, Two-element vertical array based on the powerful Neodymium woofer developed for X-Array. Mid-bass and low frequency energy is augmented by an overlapping DL series woofer to produce vertical pattern control and intelligibility superior to conventional horn systems. The HF section features the DH2t compression driver coupled to a molded-in 65° x 65° Constant Directivity horn using EV's unique Varipath throat geometry. An EV exclusive SuperSAM mounting system allows 60° of vertical adjustment and 180° of horizontal pan with simple adjustment. The molded polymer enclosure combined with aluminium and neodymium components provide a lightweight, easy to handle system. A multilayer stainless steel grille protects against rain, sprayed water, and dust to IEC 529 IP 44 Mil Spec 810 humidity, salt spray, and UV specifications.

The Sx600PIX features a special internally mounted 600 Watt line transformer for operation on 70, 100, 140 and 200 volt distributed line systems. The Sx600 series is ideally suited for applications requiring high intelligibility sound at high SPL's in applications such as arenas, stadiums and race tracks.

## Technical specifications

Frequency range (-3 dB):	100 Hz-14 kHz
Frequency range (-10 dB):	70 Hz-16 kHz
Max calculated SPL (1m) <sup>1</sup> :	139 dB
Max calculated SPL (4m) <sup>1</sup> :	127 dB
Horizontal coverage:	65° nominal
Vertical coverage:	65° nominal
Power handling <sup>2</sup> :	600 W continuous., 2400 W peak
Rated noise power:	600 W
Sensitivity (SPL 1W/1m) <sup>1</sup> :	105 dB
Sensitivity (SPL 1W/4m) <sup>1</sup> :	93 dB
Impedance (PI version only):	4 Ω nominal, 3.5 Ω minimum
Crossover frequency:	1.8 kHz, LF/MB overlap: 200-600 Hz
Recommended filtering:	90 Hz high-pass filter, @ Q=1.6
Connectors:	SJO cable with gland nut
Enclosure material:	High density polymer

## 2 | Sx600 High Output Two-way Loudspeaker

PIX version 600 Watt internal transformer <sup>3</sup> :	<b>70 V:</b> 75W - 65Ω 150W - 33Ω 300W - 16Ω 600W - 8Ω <b>100 V:</b> 150W - 50Ω 300W - 33Ω 600W - 16Ω <b>140 V:</b> 300W - 65Ω 600W - 33Ω <b>200 V</b> 600W - 65 Ω
Mounting:	SuperSAM, 5° increments over 60° vertical, 180° horizontal, can be bolted or strapped
Grille:	Powder coated stainless steel
Weather resistance:	IEC 529 IP 44, Mil Spec 810 humidity, salt spray, temperature, and UV
Dimensions (H x W x D):	45.8 in x 16.9 in x 12.3 in (1163 mm x 429 mm x 312 mm)
Net weight (with bracket):	Sx600PI - 80.0 lb (36.3 kg) Sx600PIX - 98.0 lb (44.5 kg)
Shipping weight:	Sx600PI - 92.0 lb (41.8 kg) Sx600PIX - 110.0 lb (50.0 kg)

<sup>1</sup>Full-space anechoic measurement.

<sup>2</sup>EIA RS-426A, tested for eight hours.

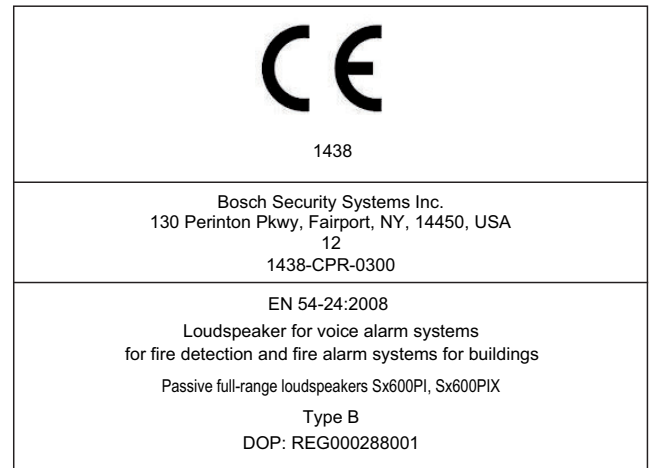
<sup>3</sup>Wattage may be halved (-3 dB) by connecting to the next higher voltage tap. NEVER connect to a tap rated for less than the nominal line voltage!

### Notice!

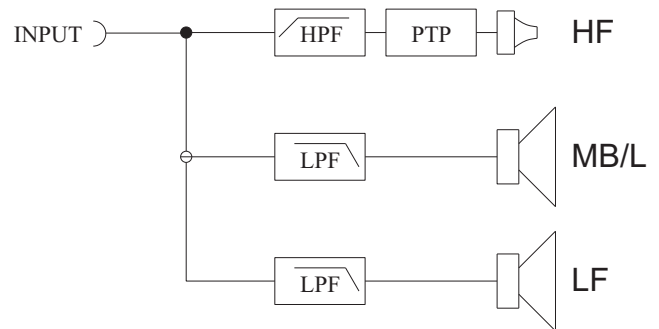
The specifications data was measured in an anechoic chamber according to EN 54-24. Reference axis: Axis is on the center of grille surface and perpendicular to the grille surface.



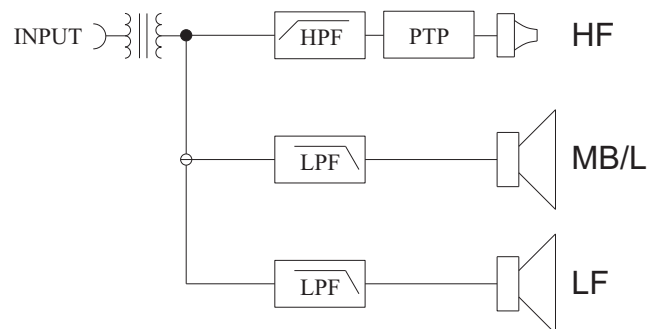
Reference plane: Plane is on the grille surface and perpendicular to the reference axis. Horizontal plane: Plane is containing the reference axis and perpendicular to the reference plane.



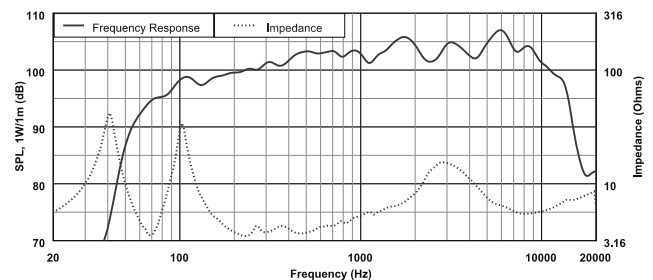
### Block diagram Sx600PI:



### Block diagram Sx600PIX:

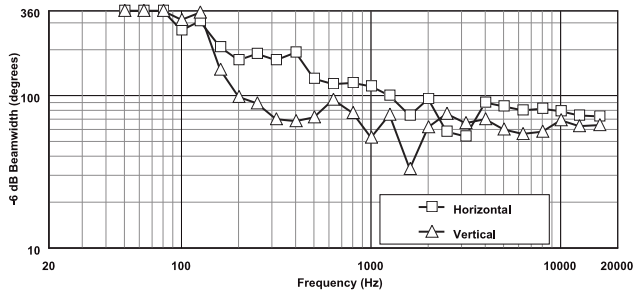


### Frequency response and impedance:

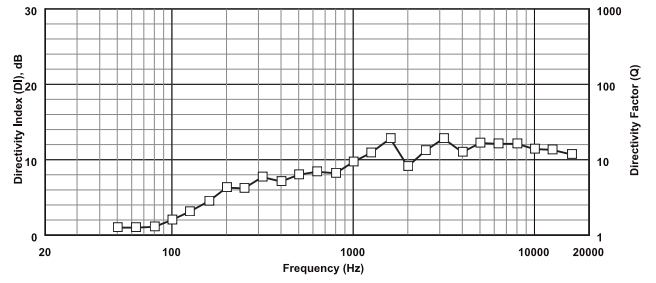


### 3 | Sx600 High Output Two-way Loudspeaker

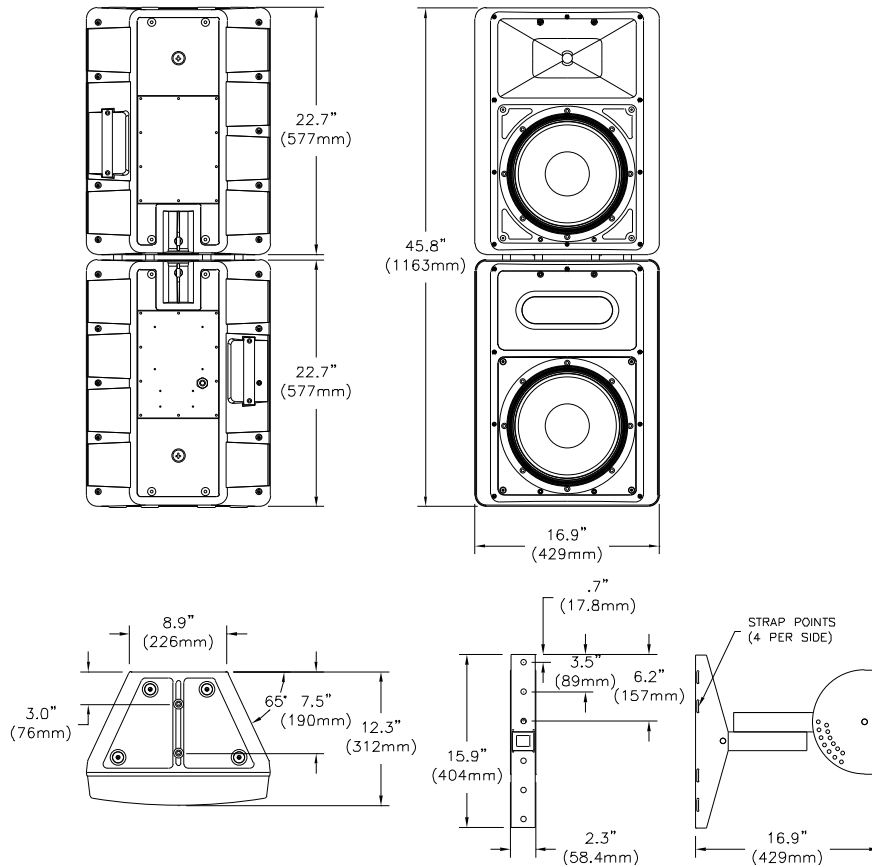
#### Beamwidth:



#### Directivity:



#### Dimensions:



#### Notice!

Acoustic measurement reference axis is 36 inches up from bottom of enclosure.

CPS2.12 CPS 2.12 power amplifier<sup>1</sup>

CPS4.10 CPS 4.10 power amplifier<sup>1</sup>

<sup>1</sup>Contact your sales representative for available voltage versions.

#### Compatible System Solutions:

DC-ONE loudspeaker controller<sup>1</sup>

DX46 loudspeaker controller<sup>1</sup>

N8000 120V N8000 digital matrix controller<sup>1</sup>

CPS2.9 CPS 2.9 power amplifier<sup>1</sup>

## Ordering information

**SX600PI\_HE SX600PI, BLACK, 2-WAY, HIGH OUTPUT 2 ELE**

2 x 12" 2-way, 600 W, incl. Strong-Arm-Mount, outdoor, EN 54-24 certified, black  
Order number **SX600PI\_HE**

---

**SX600PIX\_HE SX600PIX, BLACK, 2-WAY, HIGH OUPUT 2 ELE**

2 x 12" 2-way, 600 W, incl. Strong-Arm-Mount, outdoor, transformer, EN 54-24 certified, black  
Order number **SX600PIX\_HE**

---

**Represented by:**

---

**Germany:**

Bosch Sicherheitssysteme GmbH  
Robert-Bosch-Ring 5  
85630 Grasbrunn  
Germany

Bosch Security Systems, Inc.  
12000 Portland Avenue South  
Burnsville MN 55337  
USA

[www.electrovoice.com](http://www.electrovoice.com)