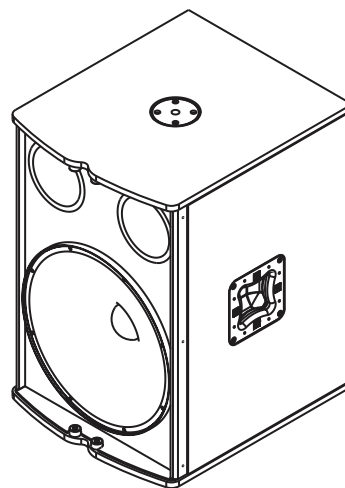


TX1181 18" Passive Subwoofer



- EVS-18s 18" (457 mm) LF Transducer
- 100 dB Sensitivity, 132 dB Maximum SPL
- Integrated Low Pass Filter with 6 dB/Octave Slope
- 500 W Continuous (2000 W Peak) Power Handling



The Electro-Voice TX1181 is a high power subwoofer that can be used to extend the low frequency performance of the TX1122 and TX1152 loudspeaker systems.

The TX1181 uses the EVS-18S, a high excursion 18" woofer, coupled to well braced enclosure with large, low distortion ports, to add high impact bass response to any full-range loudspeaker. An integrated low pass filter allows the TX1181 to be connected in parallel with a TX1122 or TX1152 on a single amplifier channel, eliminating the need for additional amplifier channels and processing.

The TX1181 has many features that make it a versatile subwoofer system. The enclosure is constructed out of a combination of MDF and plywood, and coated with EVCoat™ for maximum strength and durability. The unique grille design is very strong, dent resistant, and features a rotatable logo. Four way handles allow for gripping the TX1181 in a variety of positions. The recessed input panel with dual NL4 connectors keeps the connectors hidden and allows for closer placement to a wall or other boundary. An integrated pole mount allows for elevating a TX1122 or TX1152.

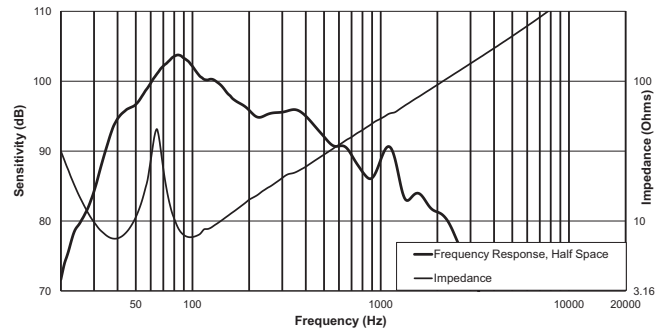
Parts included

Quantity	Component
1	Subwoofer
1	User manual

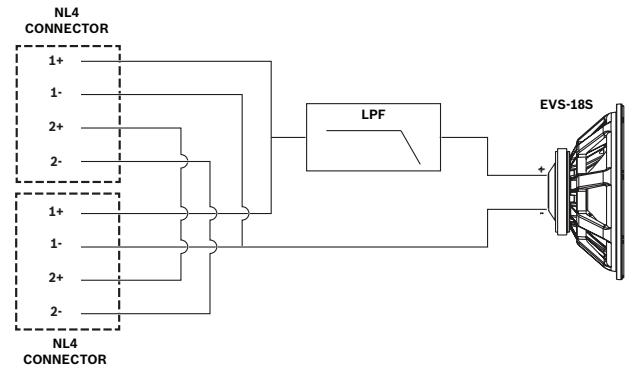
Technical specifications

Frequency response (-3 dB):	50 Hz - 160 Hz
Frequency range (-10 dB):	45 Hz - 700 Hz
Rec. hipass frequency:	30 Hz
Axial sensitivity:	100 dB (1W/1m)
Max. calculated SPL:	132 dB
Horizontal coverage:	Omnidirectional
Vertical coverage:	Omnidirectional
Power handling:	500 W continuous, 2000 W peak
LF transducer:	EVS-18S, 18 in (457 mm) driver
Nominal impedance:	8 Ohm
Minimum impedance:	7.5 Ohm
Connectors:	(2) Neutrik Speakon NL4's
Enclosure material:	Plywood and MDF with EVCoat
Grille:	16 GA steel, black powdercoat, with rotatable logo
Color:	Black
Dimensions (H x W x D):	30.3 in x 20.0 in x 23.3 in (769 mm x 508 mm x 591 mm)
Net weight:	74.5 lb (33.8 kg)
Shipping weight:	88.0 lb (40.0 kg)

Frequency response and impedance:



Block diagram:



Compatible System Solutions:

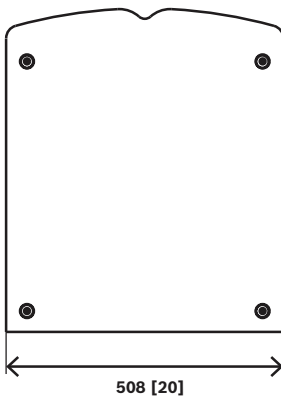
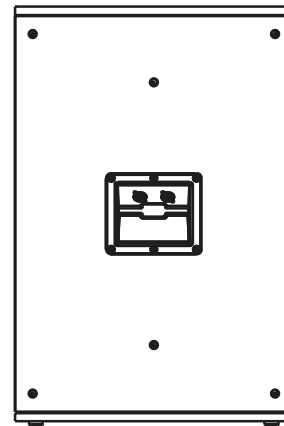
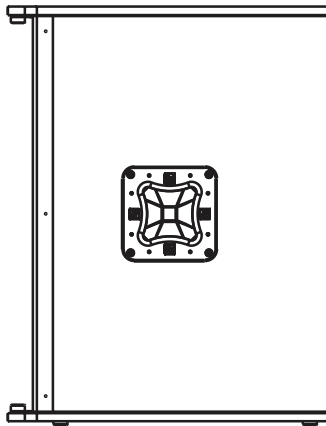
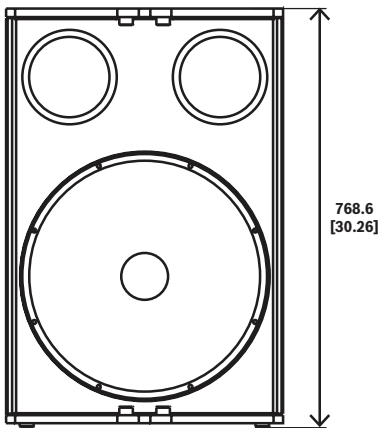
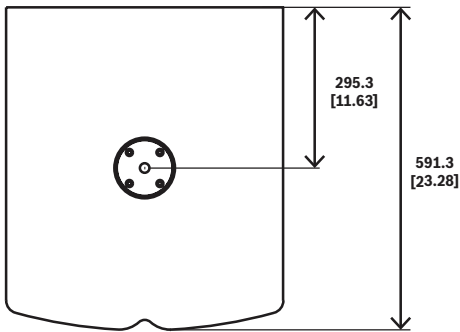
TX1122 12" 2-way passive speaker, black

TX1152 15" 2-way passive speaker, black

Dynacord L2800FD DSP power amplifier 2 x 1400 W

Dynacord C2800FDi DSP power amplifier 2 x 1400 W, install

Dimensions:



mm[inch]

Ordering information

TX1181_HE 18" passive subwoofer, black

1 x 18" subwoofer, 100 dB, 500 W cont., black

Order number **TX1181_HE | F.01U.302.275**

ASP-58 Adjustable subwoofer stand

Adjustable steel speaker pole with powder coat, tapered
M20 threaded, black

Order number **ASP-58 | F.01U.317.892**

Represented by:

Germany:
Bosch Sicherheitssysteme GmbH
Robert-Bosch-Ring 5
85630 Grasbrunn
Germany
www.electrovoice.com

Bosch Security Systems, LLC
12000 Portland Avenue South
Burnsville MN 55337
USA