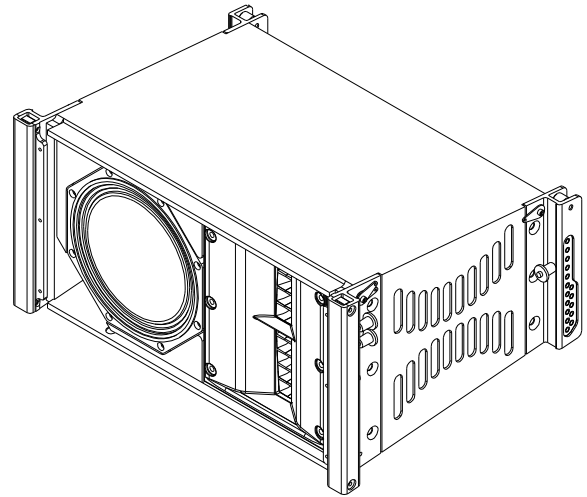


XLE181 2-Way, High-Output, Very Compact Line-Array Element



Electro-Voice

- Very Compact, Lightweight
- Simple, Quick Integrated Rigging
- 120° Horizontal Coverage
- Bi-Amp or Full-Range Operation only
- Neodymium Transducers



The XLE181 is a 2-way using a single 8" neodymium LF transducer and two neodymium 2" voice coil compression drivers combining through 2 hydra plane wave generators into a 120° x 10° waveguide. The XLE181 can be used in biamp or full-range modes using a sophisticated internal passive network. It is designed for use in arrays of four or more elements. The XLE181 delivers full bandwidth audio with precise, predictable coverage control. Integrated rigging with hinge points located correctly between array elements is simple to use and quickly provides uncompromised line array performance.

The XLVC family consists of two full-range systems with dual woofers, two full-range systems with single woofers and a subwoofer system. The dual-woofer versions include the XLD281 with a 120° horizontal coverage pattern and the XLD291 with a 90° horizontal coverage pattern. The single woofer versions include the XLE181 with a 120° horizontal coverage pattern and the XLE191 with a 90° horizontal coverage pattern. LAPS2 modeling software quickly provides array configurations and rigging information. X-Line Very Compact delivers unprecedented performance in applications ranging from live reinforcement to performing arts venues to houses of worship.

System overview

Beamwidth:

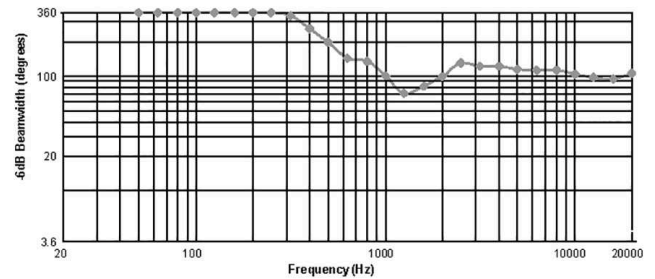
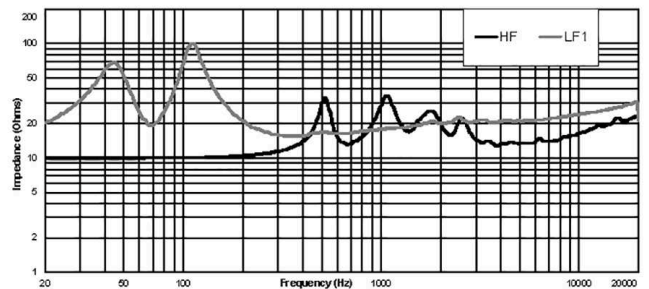
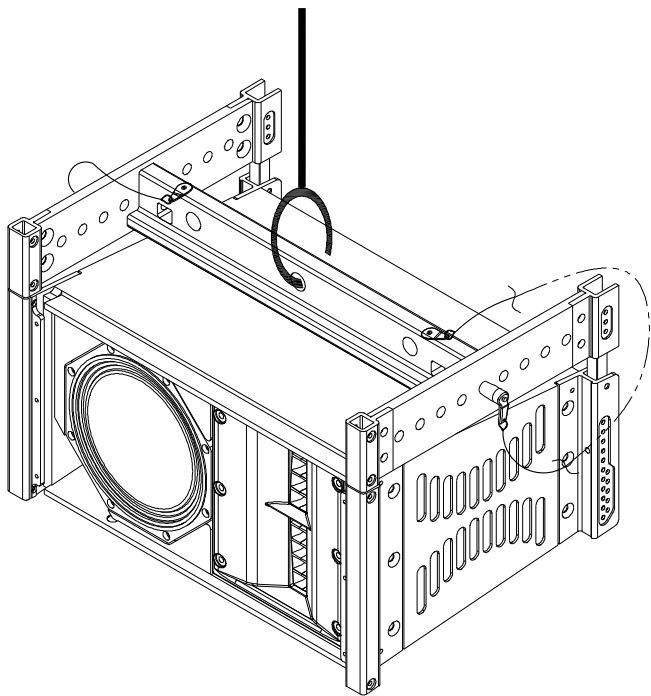


Fig. 1:

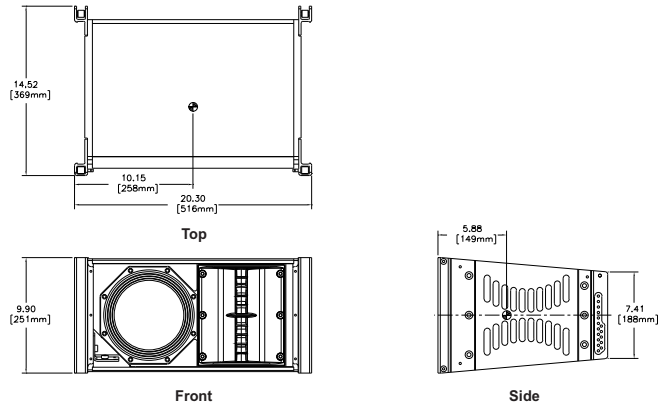
Impedance:



Grid drawing:



Dimensions:



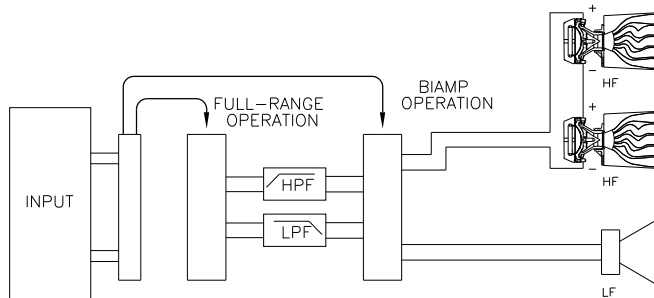
Compatible System Solutions:

- _____ XLE191 90° Full-Range Line Array Element
- _____ XCS312 Triple 12 inch Cardioid Compact Controlled-Coverage Bass Element (Requires AGSE)

Compatible System Solutions, Electronics:

- _____ CP3000S Precision Series Power Amplifier
- _____ CP4000S Precision Series Power Amplifier
- _____ TG5 Tour Grade Power Amplifier
- _____ TG7 Tour Grade Power Amplifier
- _____ Dx46 Digital Sound System Controller
- _____ N8000 NetMax 300 MIPS Digital Matrix Controller

Block diagram:



Connection Chart:

(Pins 1 and 2 Pass Through)

	Biamp	Full-Range
LF:	Pins 3	LF/HF: Pins 3
HF:	Pins 4	Pins 4 Pass Through

Technical specifications

Frequency response (-3dB):	90 Hz-18 kHz ¹
Frequency range (-10 dB):	75 Hz-20 kHz ¹
Max calculated SPL:	137 dB cont., 143 dB peak ²
Horizontal coverage:	120°
Vertical coverage:	Array dependent, software definable
Rigging:	Fully captive aluminum, 1° increments, 16 elements with 8 to 1 Safety Factor
LF power handling:	200 W cont., 800 W peak
HF power handling:	80 W cont., 320 W peak
LF to HF crossover frequency:	1760 Hz ³
LF passband:	1 x 8 inch DVN2080, 16 ohms
HF passband:	2 x ND2S-8, 16 ohms
Connectors:	2 x NL8
Enclosure:	13-ply birch plywood with EV coat
Grille:	Galvannealed steel with powder coat paint
Environmental specifications:	IEC 529 IP24, MIL 810
Dimensions (H x W x D):	9.90 in x 20.30 in x 14.52 in (251 mm x 516 mm x 369 mm)

Net weight: 38 lb (17.2 kg)

Shipping weight: 41 lb (18.4 kg)

¹Full space measurement of four elements.

²Full space measurement of HF section of four elements, SPL adjusted for 1 m distance.

³Using PREVIEW Loudspeaker Software

⁴Use EV signal processing or download presets from Electro-Voice website.

Ordering information

EV-XLE181 8" 120x10 line array black

XLE full-range cabinet, 1 x 8", 2 x ND2, full-range or bi-amp mode switchable, 10° vertical angle, 120° horizontal angle, integrated rigging system, black

Available in EMEA regions only

Order number **EV-XLE181 | F.01U.101.244**

XLE-181-BLKLB 8" 120x10 line array black

XLE full-range cabinet, 1 x 8", 2 x ND2, full-range or bi-amp mode switchable, 10° vertical angle, 120° horizontal angle, integrated rigging system, black

Order number **XLE-181-BLKLB | F.01U.272.419**

XLE-181-WHTLB 8" 120x10 line array white

XLE full-range cabinet, 1 x 8", 2 x ND2, full-range or bi-amp mode switchable, 10° vertical angle, 120° horizontal angle, integrated rigging system, white

Order number **XLE-181-WHTLB | F.01U.272.418**

Accessories

AGSE-BLK_GLN Adapter grid for XLE to XCS black

Adaptor grid XCS312 - XLE181, black

Order number **AGSE-BLK_GLN | F.01U.249.778**

AGSE-CCA_GLN Adapter grid for XLE to XCS clear

Adapter grid to attach to XLC312; clear coated

Order number **AGSE-CCA_GLN | F.01U.249.779**

CBEAM_GLN Coupler beam for XLD/XLE/XCS touring

Coupler beam for connecting XLD/XLE grids

Order number **CBEAM_GLN | F.01U.249.774**

XGS-4_GLN Groundstack kit XLD/XLE/XCS touring

XGS-4 groundstack kit for XLD or XLE and XCS312

Order number **XGS-4_GLN | F.01U.249.775**

XLE GRID_GLN Grid for XLE concert version black

XLE system aluminum grid for up to 16 x XLE181/XLE191

Order number **XLE GRID_GLN | F.01U.249.773**

XLVC-BGK_GLN Bottom grid hardware for XLD/XLE black

Bottom grid kit for XLD and XLE systems

Order number **XLVC-BGK_GLN | F.01U.249.776**

XLVC-TAE_GLN Tilt angle extender XLD/XLE grids black

Tilt angle extender for XLD and XLE systems

Order number **XLVC-TAE_GLN | F.01U.249.777**

Represented by:

Germany:
 Bosch Sicherheitssysteme GmbH
 Robert-Bosch-Ring 5
 85630 Grasbrunn
 Germany
www.electrovoice.com

Bosch Security Systems, LLC
 12000 Portland Avenue South
 Burnsville MN 55337
 USA