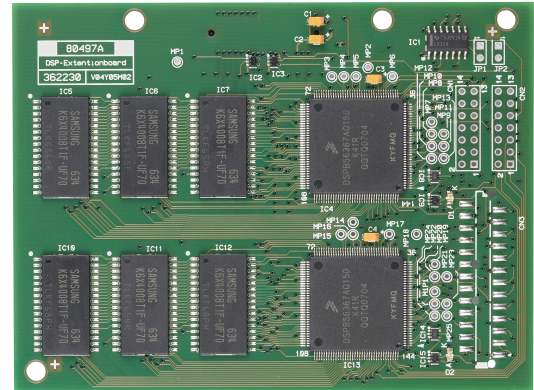




DSP-1 DSP extension board, 300 MIPS

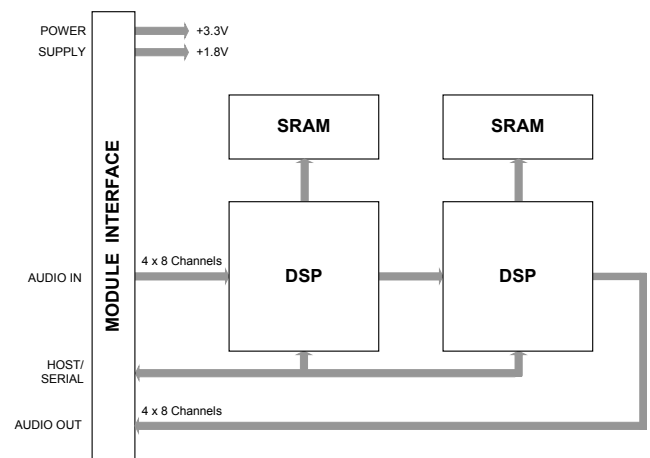
- 300 MIPS computing capacity - doubles the DSP power
- 2 RAM banks (512k x 24 Bit) - allows for additional delay lines up to 21.8 seconds
- 48 Bit signal processing - Double Precision DSP algorithms
- Automatic Configuration - IRIS-Net detects when a module is added or removed



The DSP-1 is a DSP extension module for use in an Electro-Voice N8000 or DYNACORD P 64 system. The module provides additional DSP for extending the signal processing capacity and additional RAM memory for implementing longer delay times or a greater number of delay lines.

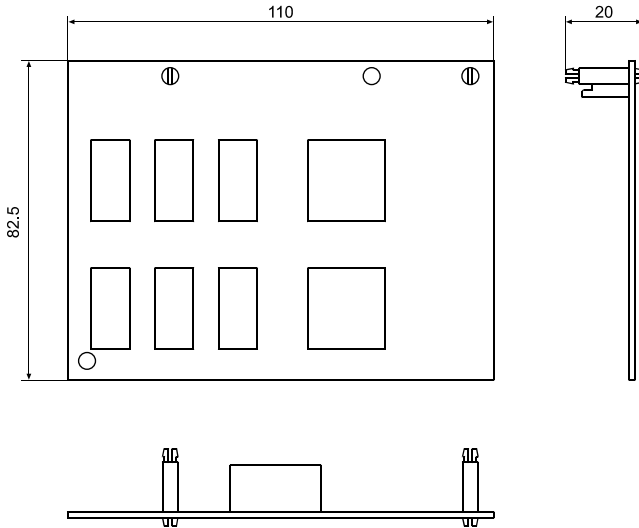
Technical specifications

| | |
|-------------------------------------|---|
| Supply voltage/current | +3.3 V DC, ±0.3 V/200 mA +1.8 V DC, ±0.18 V/200 mA |
| Sample rate | 48 kHz |
| Data format | 48 Bit processing |
| Processing power | 300 MIPS |
| Memory | 2 x 512k x 24 Bit SRAM/21.8 s max. delay |
| Signal delay | 4 Samples=83,33 µs at 48 kHz |
| Electromagnetical environment | E1, E2, E3 |
| Operating temperature range | 0 °C to 40 °C |
| Dimensions (Height x Width x Depth) | 110 mm x 20 mm x 82.5 mm |
| Net weight | 45 g |



Block diagram

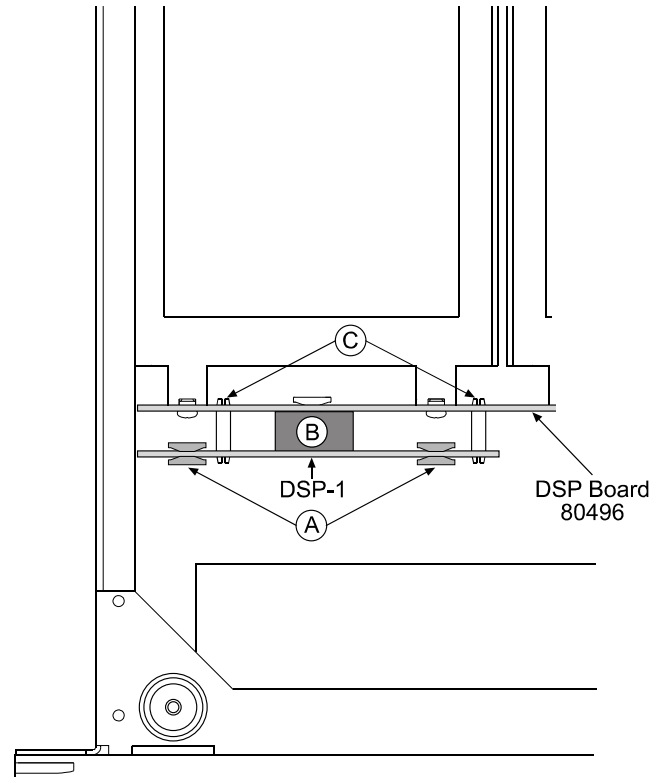
2 | DSP-1 DSP extension board, 300 MIPS



Dimensions

Installation/configuration notes

1. Turn off the power to the unit and remove the mains lead.
2. Remove the top cover (6 screws on the sides, 3 screws on top, 4 screws on the rear).
3. Install the DSP-1 module (see illustration below). Place the module in the guide slots (A) on the bottom panel.
4. Align the plug to the appropriate socket (B) and insert the plastic spacers into the mounting holes (C).
5. Re-fit the top cover.
6. Reconnect the mains power and turn on the unit.
7. DSP-2 module is automatically detected. No further configuration is required.



Parts included

| Quantity | Component |
|----------|----------------|
| 1 | DSP-1 module |
| 2 | Plastic spacer |
| 1 | Data sheet |

Ordering information

DSP-1 DSP extension board, 300 MIPS

DSP-1 DSP extender module, adds 300 MIPS DSP power

Order number **DSP-1**

Represented by:

Germany:
Bosch Sicherheitssysteme GmbH
Robert-Bosch-Ring 5
85630 Grasbrunn
Germany

Bosch Security Systems, Inc.
130 Perinton Parkway
Fairport, NY 14450
USA

www.electrovoice.com