

# CPS4.5 500 W/CH 4-CH Amplifier



**Electro-Voice**



- 4 x 500 W
- High Efficient Class-D Design
- Optimized for permanent installation
- Optional Remote Control Module (RCM-810)
- Detent Rear Level Controls

The Electro-Voice CPS4.5 amplifier offers four independent Class-D Variable Load Drive (VLD) amplifier blocks, each one capable of delivering up to 500 Watts into Low-Z or High-Z loads. Per default, each channel can be configured individually for max. power output into either 2  $\Omega$ , 4  $\Omega$ , 70V- or 100V-networks without involvement of any output transformers. Being designed for professional audio installation market, special care was taken for long term cost of ownership parameters: In addition to

remarkably low current consumption and heat dissipation, the CPS4.5 provides remote standby switching with just 5 Watts consumption in standby mode. An optional remote control module RCM-810 provides control and supervision features via IRIS-Net, including monitoring of amplifier status and real time load supervision. In addition, via RCM-810 the Variable Load Drive characteristics can be set for max. power output into any load between 2  $\Omega$  and 10  $\Omega$ , in steps of 0.1  $\Omega$ .

## Technical specifications

	Low impedance mode			High impedance mode	
	2 Ω	4 Ω	8 Ω	70 V/10 Ω	100 V/20 Ω
Maximum midband output power, THD = 1%, 1 kHz, 4 channels driven	500 W	500 W	250 W VLD: 500 W	500 W	500 W
Rated output power, THD < 0.3%, 20-20 000 Hz, 4 channels driven	450 W	450 W	225 W VLD: 450 W	450 W	450 W
Maximum bridged output power, THD = 1%, 1 kHz	-	1000 W	1000 W	1000 W/20 Ω	1000 W/40 Ω
Maximum RMS voltage swing, THD = 1%, 1 kHz	32 V	45 V	45 V VLD: 63 V	70 V	100 V
Power Bandwidth, THD = 1%, ref. 1 kHz, half power at rated load	10-25000 Hz			50-25000 Hz	
Voltage gain, ref. 1 kHz	32 dB	32 dB	32 dB	33 dB	36 dB
Input Sensitivity, rated power, 1 kHz	0.775 V (0.0 dBu)	1.1 V (+3.0 dBu)	1.1 V (+3.0 dBu)	1.55 V (+6.0 dBu)	1.55 V (+6.0 dBu)
THD at rated output power, MBW = 80 kHz, 1 kHz	< 0.05%				
IMD-SMPTE, 60 Hz, 7 kHz	< 0.05%				
DIM30, 3.15 kHz, 15 kHz	< 0.02%				
Maximum input level	+22 dBu (9.76 V <sub>rms</sub> )				
Crosstalk, ref. 1 kHz, at rated output power	< -80 dB				
Frequency response, ref. 1 kHz, 8 Ω load	15-30000 Hz (±1 dB)				
Input impedance, active balanced	20 kΩ				
Damping factor, 1 kHz, 8 Ω	> 240				
Slew rate	28 V/μs				
Signal-to-noise ratio (A-weighted)	98 dB	100 dB	100 dB	104 dB	106 dB
Output noise, A-weighted	< -66 dBu	< -65 dBu	< -65 dBu	< -65 dBu	< -64 dBu
Output stage topology	Class D				
Power requirements	220-240 V, 50-60 Hz or 120 V, 50-60 Hz or 100 V, 50-60 Hz				
Inrush current	27 A				
Inrush current, after five-second power cycle	14 A				
Power consumption, 1/8 maximum output power	490 W				
Protection	Audio Limiters, High Temperature, DC, HF, Short Circuit, Peak Current Limiters, Inrush Current Limiters, Turn-on Delay, Mains Circuit Breaker Protection, Mains Over/Undervoltage Protection				
Cooling	Front-to-Rear, temperature controlled fans				
Electromagnetic environment	E1, E2, E3				
Operating temperature	+5° to +40° C				
Safety class	I				
Color	Black				

### 3 | CPS4.5 500 W/CH 4-CH Amplifier

---

Product dimensions (Height x Width x Depth)	88.1 mm x 483 mm x 420.8 mm
---	-----------------------------

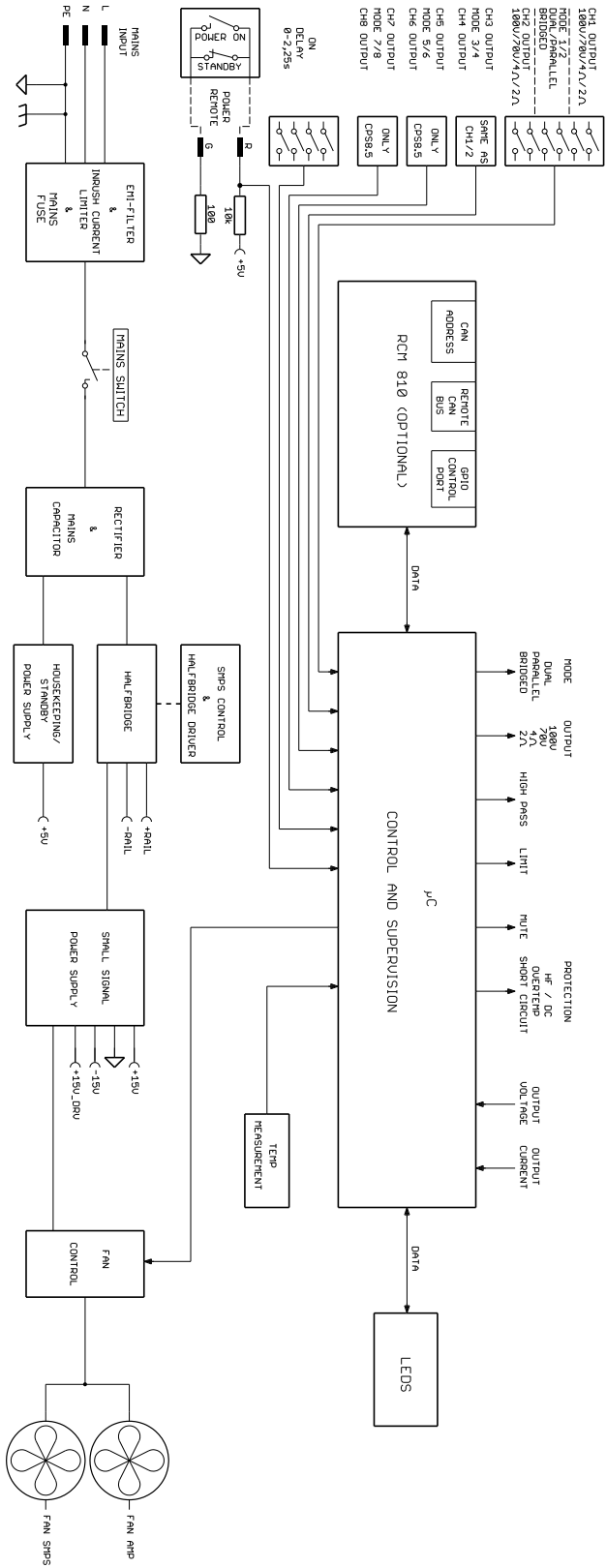
---

Net weight	11.1 kg
------------	---------

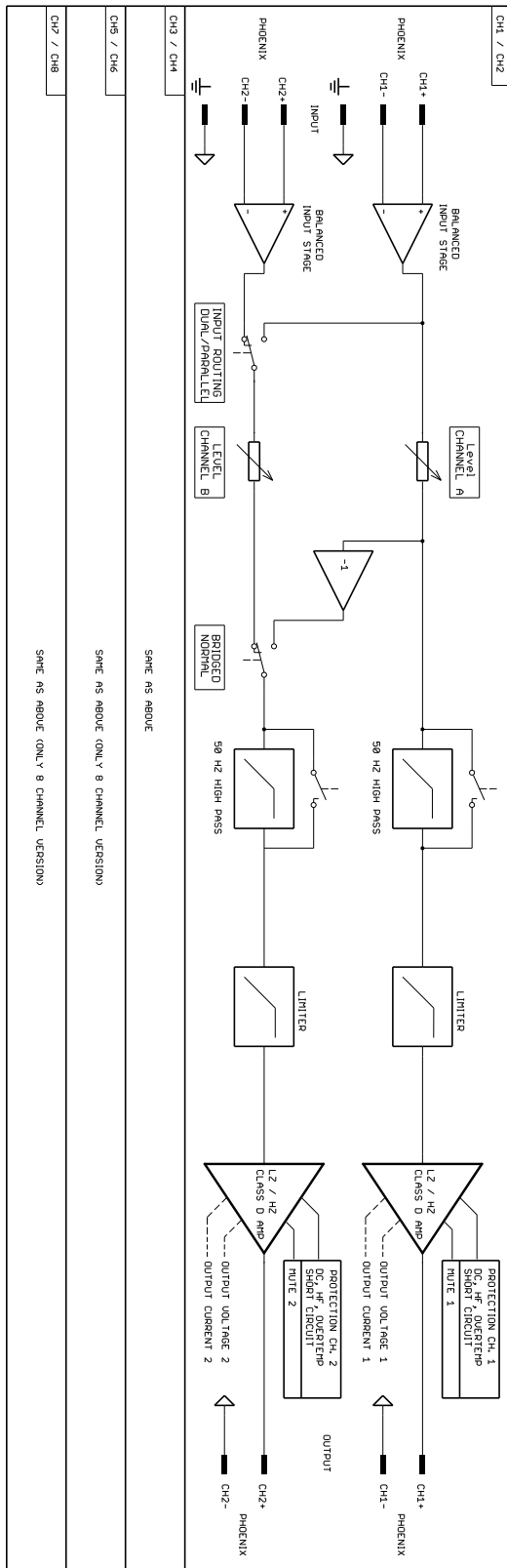
---

**\* Depending on the ambient temperature, the unit might not operate continuously at 2  $\Omega$  load in Dual Mode or 4  $\Omega$  load in Bridged Mode. In addition input power exceeds 1.1 times rated power consumption with at 2  $\Omega$  load in Dual Mode or 4  $\Omega$  load in Bridged Mode.**

# 4 | CPS4.5 500 W/CH 4-CH Amplifier

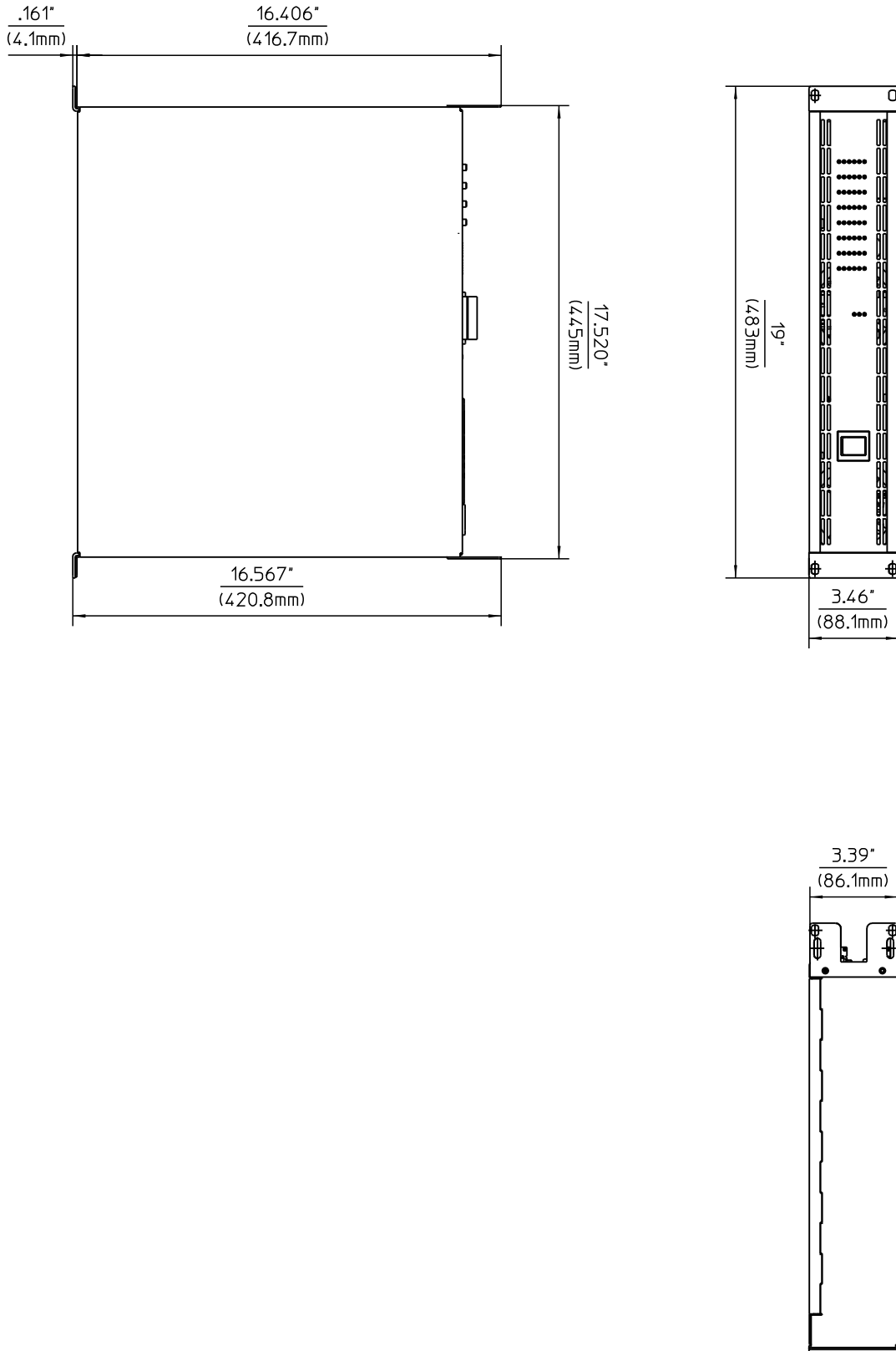


Circuit diagram



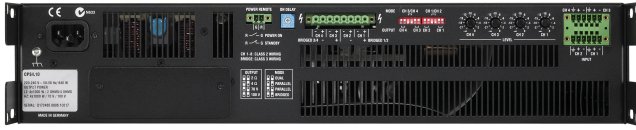
Circuit diagram

5 | CPS4.5 500 W/CH 4-CH Amplifier



Dimensions

## System overview



Rear view

## Ordering information

### **CPS4.5-100V CPS4.5 100V ENDSTUFE**

4-channel Class-D amplifier, 2RU , per channel configurable 2/4Ohm/70V/100V, slot f. optional RCM-810 remote module; 4 x 500 W  
Order number **CPS4.5-100V**

---

### **CPS4.5 CPS4.5 120V ENDSTUFE**

4-channel Class-D amplifier, 2RU , per channel configurable 2/4Ohm/70V/100V, slot f. optional RCM-810 remote module; 4 x 500 W  
Order number **CPS4.5**

---

### **CPS4.5-230V CPS4.5 220-240V ENDSTUFE**

CPS 4.5 4-channel Class-D amplifier, 2RU, per channel configurable 2/4Ohm/70V/100V, slot for optional RCM-810 remote module; 4 x 500 W, black  
Order number **CPS4.5-230V**

---

### **Accessories**

#### **LML-1 HiZ-Loudspeaker Line Measuring Load (4)**

Line measuring load  
Order number **LML-1**

---

#### **RCM-810 Remote monitoring module**

RCM-810 Remote Control Module for IRIS-Net  
Order number **RCM-810**

---

#### **DC-RMK15 RMK-15**

Rack Mount Kit for amplifiers, Length 15,5"; 1L/1R  
Order number **DC-RMK15**

---

### Represented by:

#### **Germany:**

Bosch Sicherheitssysteme GmbH  
Robert-Bosch-Ring 5  
85630 Grasbrunn  
Germany

Bosch Security Systems, Inc.  
12000 Portland Avenue South  
Burnsville MN 55337  
USA

[www.electrovoice.com](http://www.electrovoice.com)