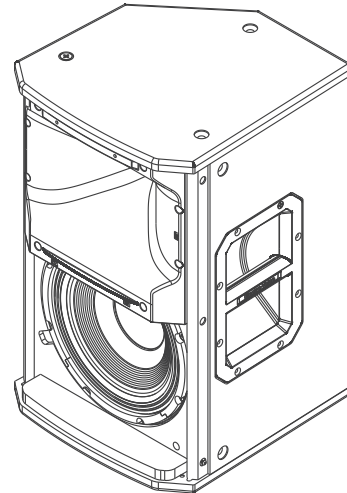


ETX-10P 2-Way Powered Speaker



Electro-Voice

- 2000 W amplifier and 134 dB peak SPL
- Single-knob DSP includes presets for multiple configurations and top+sub combinations (performance style, locations, and space)
- Loudspeaker system performance monitoring via integrated LCD and front panel LED
- SST design assures precise and consistent coverage
- Designed for floor, stacked, or tilt pole mount (0 or 7.5 degrees) for portable or permanent installation (Eight (8) M10 threaded suspension points)



ETX-10P from Electro-Voice is a high-power two-way compact loudspeaker; it can be used in a variety of portable and permanent applications.

The DSP (Digital Signal Processing) menus offer extensive configurations, crossovers, selective voicing, protection limiters, EQ modes, and a lockout mode prevents casual changes to the system. Loudspeaker system performance is optimized via an LCD screen. The front LED indicates power or can be configured to indicate limit.

EV-patented SST (Signal Synchronized Transducers) waveguide design provides uniform coverage and directivity. Waveguides are optimized using advanced simulation software and propriety algorithms for precise control and lowest distortion. EV designed and manufactured transducers include SMX woofer technology using composite cone materials, flux stabilizing rings, and thermal management. This transducer yields lower distortion, smooth response and high SPL. The high-efficiency DH3-B compression driver has a convex diaphragm driving a coherent phase device extending frequency response to 20 kHz. EV's FIR-Drive technology utilized the latest FIR (Finite Impulse Response) filter technology to optimize transducer linearity and advanced limiter algorithms for independent peak and thermal transducer protection. The enclosure is constructed out of 18-mm plywood finished with EVCoat.

ETX Powered Loudspeakers combine EV-engineered intelligent DSP, high-powered amplifiers and high-efficiency transducers to deliver that legendary EV sound and performance.

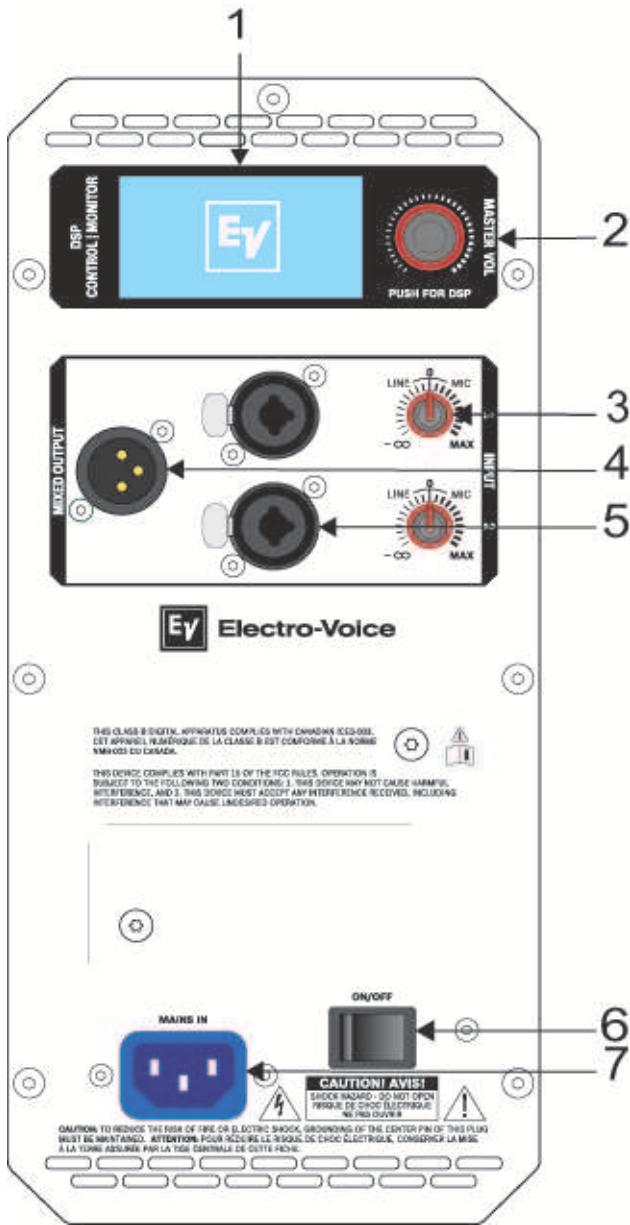
System overview



Notice

This Electro-Voice loudspeaker should be suspended overhead only in accordance with the procedures and limitations specified in the User's Manual. This system should be suspended with certified rigging hardware by an authorized rigging professional and in compliance with local, state, and federal overhead suspension ordinances.

Full-Range loudspeaker amplifier panel:



1. LCD
2. MASTER VOL/DSP
3. INPUT LEVEL
4. MIXED OUTPUT
5. INPUT
6. POWER
7. MAINS IN

For more information, see the ETX Powered Loudspeakers User Manual (F.01U.276.083).

Technical specifications

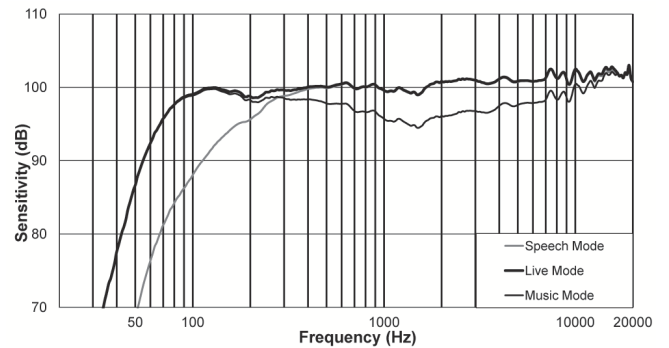
Frequency response (-3 dB):	85 Hz - 20 kHz¹
Frequency range (-10 dB):	65 Hz - 20 kHz ¹
Maximum SPL:	134 dB peak ²
Coverage (H x V):	90° x 60°
Power rating:	2000 W
LF transducer:	SMX2100 254 mm (10 in)
HF transducer:	DH3-B 1.25-in titanium compression driver
Crossover frequency:	1700 Hz
Connectors:	(2) XLR/TRS combo jack and (1) XLR link output
Enclosure:	18 mm plywood with EVCoat
Grille:	16AWG steel with powdercoat
Suspension:	(8) M10 suspension points
Color:	Black
Dimensions (H x W x D):	526 mm x 330 mm x 365 mm (21 in x 13 in x 14 in)
Net weight:	20.3 kg (44.8 lb)
Shipping weight:	22.9 kg (50.5 lb)
Power consumption:	100 - 240 V~, 50 - 60 Hz, 1.6 - 0.8 A ³

¹Full space measurement using the music DSP preset.

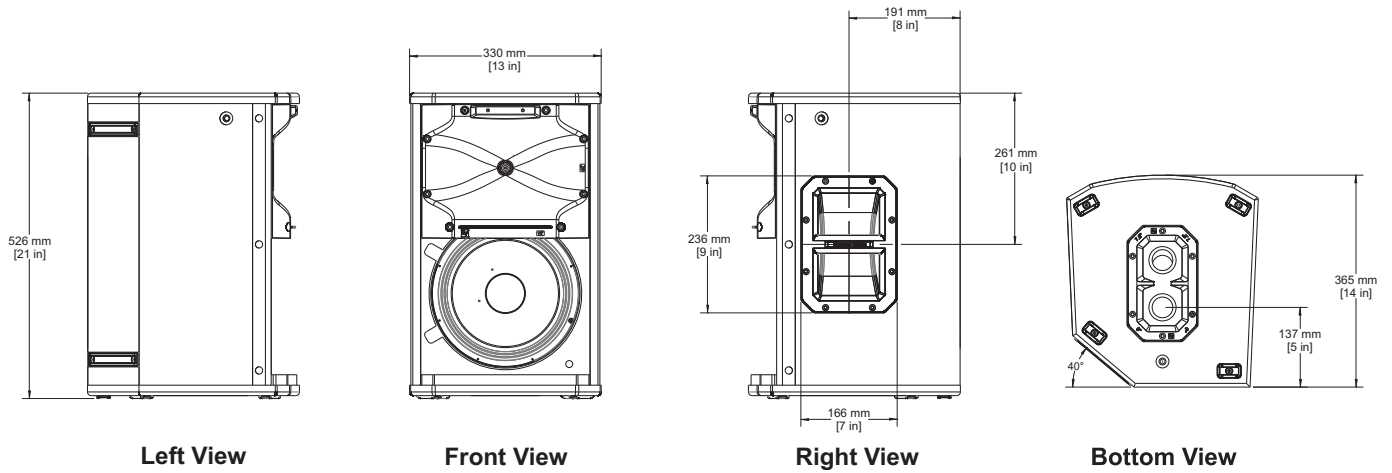
²Maximum SPL is measured at 1 m using broadband pink noise at maximum output.

³Current rating is 1/8 power.

Frequency response:



Dimension drawing:



Ordering information

ETX-10P-US ETX-10P 2-WAY POWERED SPEAKER, BLK, US

10-inch 2-way powered loudspeaker, black, US 120V
Order number **ETX-10P-US | F.01U.287.359**

ETX-10P-EU 10" 2-way powered speaker, EU cord

10-inch 2-way powered loudspeaker, black, EU 240V
Order number **ETX-10P-EU | F.01U.287.361 F.01U.396.748**

Accessories

ETX-BRKT10 Wall mount bracket for ETX-10P, black

Wall mount bracket for ETX-10P, black
Order number **ETX-BRKT10 | F.01U.288.220**

ETX-TCA-S Truss adaptor for ETX-10P, black

Truss adaptor for ETX-10P, black
Order number **ETX-TCA-S | F.01U.300.021**

ETX-10P-CVR Padded cover for ETX-10P, EV logo

Padded cover for ETX-10P, EV logo
Order number **ETX-10P-CVR | F.01U.297.634**

EBK-M10-3PACK Forged M10 3 pack eyebolt kit

Forged M10 eyebolt kit, set of 3
Order number **EBK-M10-3PACK | F.01U.301.455**

Represented by:

Germany:
Bosch Sicherheitssysteme GmbH
Robert-Bosch-Ring 5
85630 Grasbrunn
Germany
www.electrovoice.com

Bosch Security Systems, LLC
12000 Portland Avenue South
Burnsville MN 55337
USA