

ZLX Wall Mount Bracket

ZLX-BRKT

en | Installation Guide

1 Safety

**Warning!**

Suspending any object is potentially dangerous and should only be attempted by individuals who have a thorough knowledge of the techniques and regulations of suspending objects overhead. Electro-Voice strongly recommends that all loudspeakers be suspended taking into account all current national, federal, state and local regulations. It is the responsibility of the installer to ensure that all loudspeakers are safely installed in accordance with all such regulations. When loudspeakers are suspended, Electro-Voice strongly recommends that the system be inspected at least once a year. If any sign of weakness or damage is detected, remedial action should be taken immediately. The user is responsible for making sure that the wall or ceiling is capable of supporting the loudspeaker. Any hardware used to suspend a loudspeaker that is not associated with Electro-Voice is the responsibility of others.

2

Installation

Installing ZLX Mounts

The ZLX Wall Mount Bracket is designed for use with all of the ZLX Series loudspeakers.

To **attach the mounts to a ZLX Series loudspeaker**, do the following:

1. Using a screwdriver, remove **the four (4) screws** holding the top handle to the chassis (see Figure 2.1).

Keep these screws to assemble the upper mount.

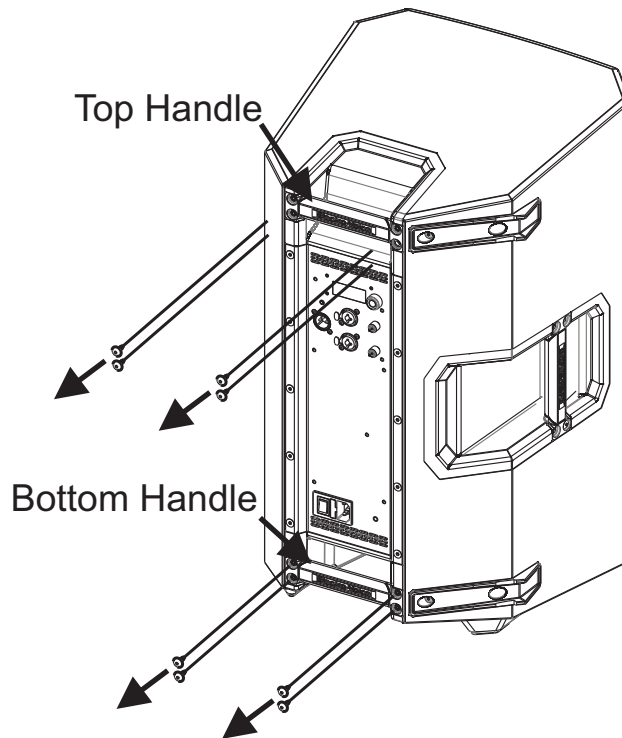


Figure 2.1: Remove Handles

2. Remove **the four (4) screws** holding the bottom handle to the chassis (see Figure 2.1).
Keep these screws to assemble the lower mount.
3. Using the four (4) screws you removed from the top handle, attach the **upper mount** to a 12 inch ZLX loudspeaker where the top handle was located in the up position.
OR
Using the four (4) screws you removed from the top handle, attach the **upper mount** to a 15 inch ZLX loudspeaker where the top handle was located in the down position (see Figure 2.2).

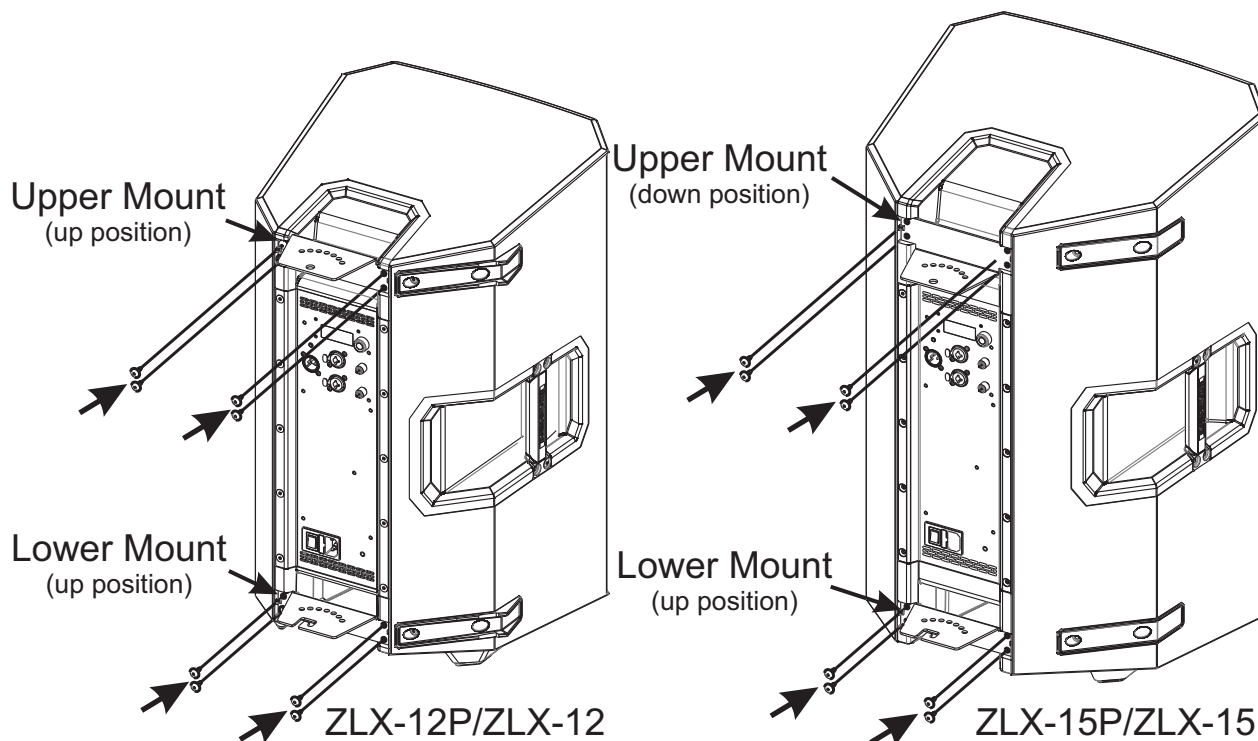


Figure 2.2: Attach Mounts

- Using the four (4) screws you removed from the bottom handle, attach the **lower mount** to a ZLX loudspeaker where the bottom handle was located in the up position.

ZLX Wall Mount Bracket–Vertical Installation

To **vertically wall mount a ZLX Series loudspeaker**, do the following:



Caution!

Due to the weight of the loudspeaker system, it is imperative the bracket be properly secured to the wall. The choice of fastener (not supplied) will be determined by the material and construction of the mounting surface.

- Using fasteners suitable for the wall material (not supplied), attach the **U-bracket** to the wall.
- Lift the **loudspeaker** and place the **upper mount** onto the pivot pin on top of the U-bracket (see Figure 2.3).

ZLX Wall Mount Bracket

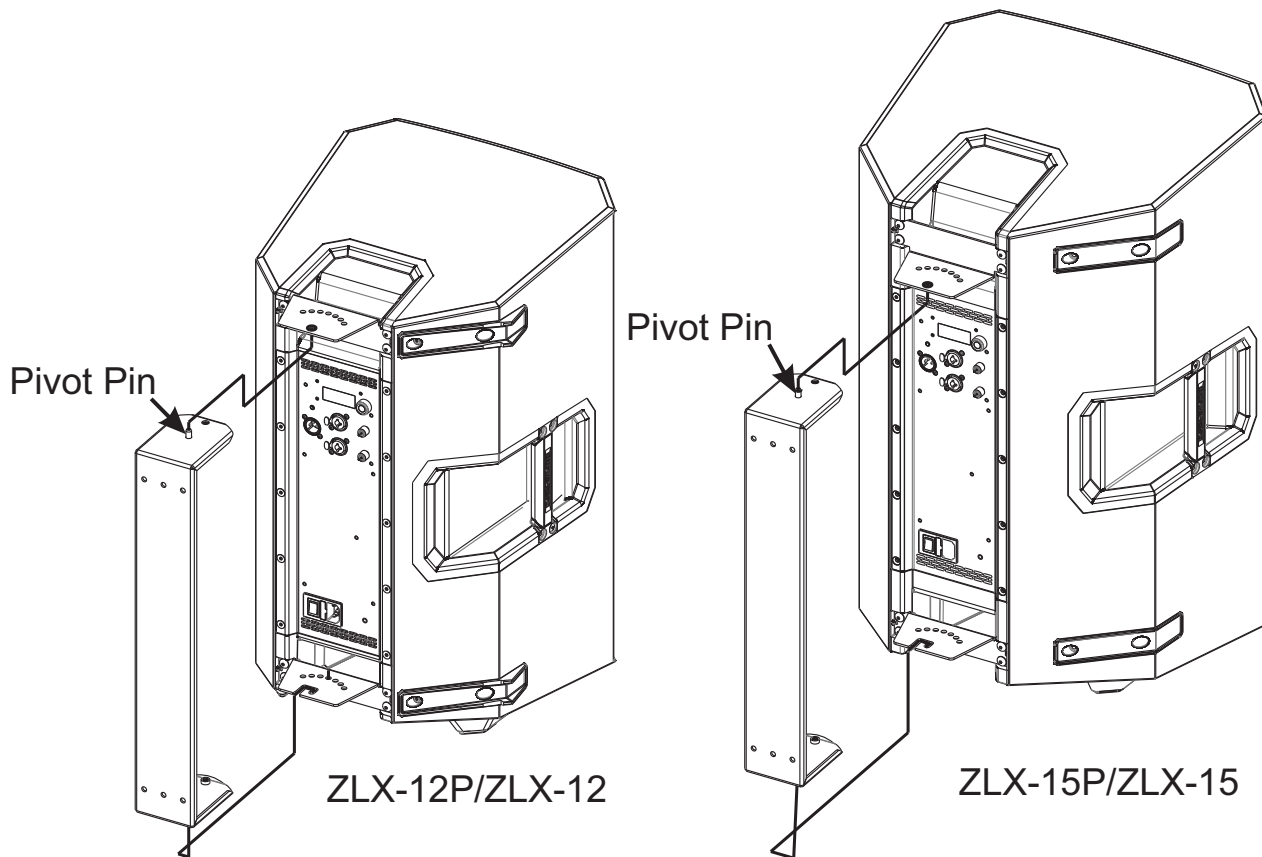


Figure 2.3: Guide onto U-bracket

3. Ensuring the lower U-bracket pivot pin is securely placed in the notch, guide the **lower mount** into position (see Figure 2.3).
The loudspeaker is loosely hung and allows you to position the loudspeaker.
4. Position the **loudspeaker** for the desired angle (see Figure 2.4).

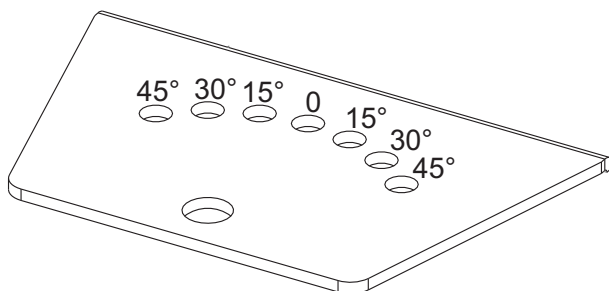


Figure 2.4: Angle Degrees

5. Insert and tighten the **two (2) screws (supplied)** sufficiently so the loudspeaker does not inadvertently rotate (see Figure 2.5).

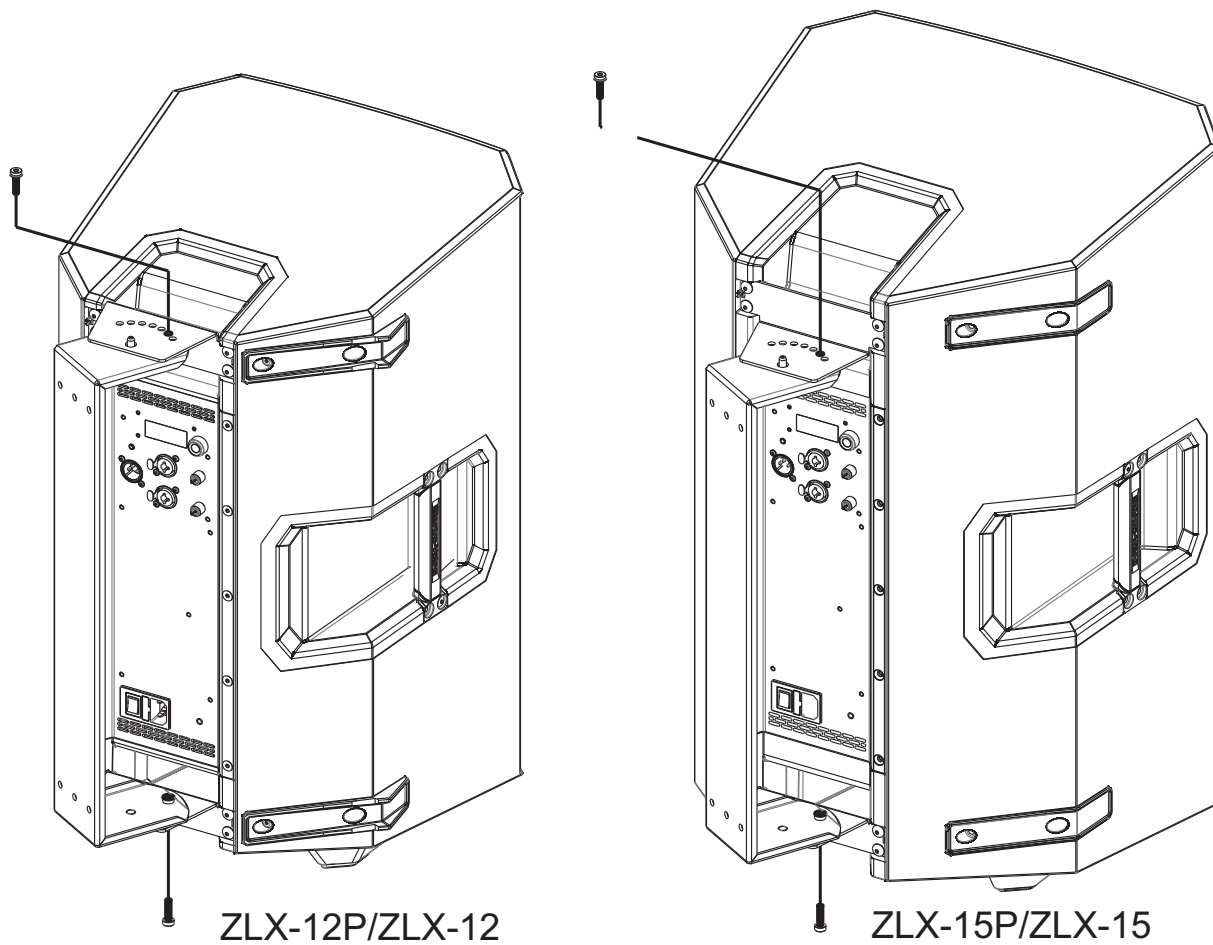


Figure 2.5: Secure Loudspeaker

ZLX Wall Mount Bracket

ZLX Wall Mount Bracket–Horizontal Installation

To **horizontally wall mount a ZLX Series loudspeaker**, do the following:



Caution!

Due to the weight of the loudspeaker system, it is imperative the bracket be properly secured to the wall. The choice of fastener (not supplied) will be determined by the material and construction of the mounting surface.

1. Using fasteners suitable for the wall material (not supplied), attach the **U-bracket** to the wall.
2. Lift and rotate the **loudspeaker** to a horizontal position where the side handle is on the top.
3. Lift the **loudspeaker** and place the **upper mount** onto the pivot pin on the left side of the U-bracket (see Figure 2.6).

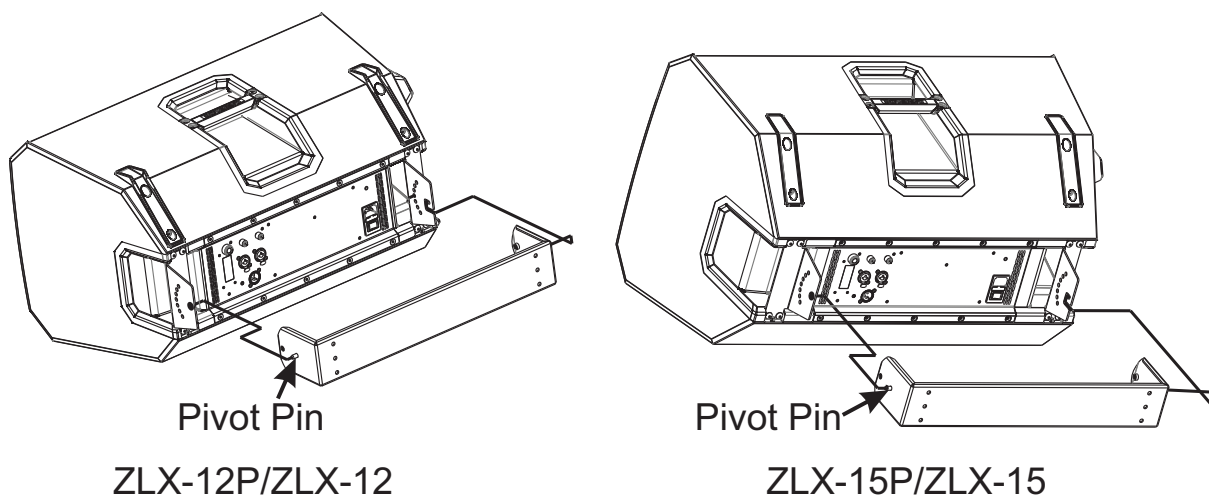


Figure 2.6: Guide onto U-bracket–Horizontal

4. Ensuring the lower U-bracket pivot pin is securely placed in the notch, guide the **lower mount** into position (see Figure 2.6).
The loudspeaker is loosely hung; rest the loudspeaker against the mounting surface.
5. Position the **loudspeaker** for the desired angle (see Figure 2.4).
6. Insert and tighten the **two (2) screws (supplied)** sufficiently so that the loudspeaker does not inadvertently rotate.

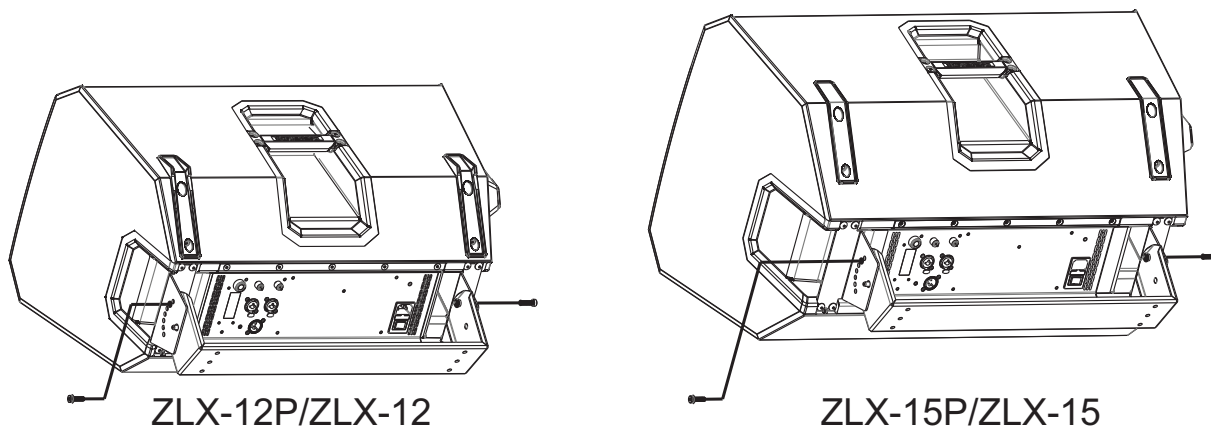


Figure 2.7: Secure Loudspeaker—Horizontal

Horizontal Wall Mount ZLX Series Loudspeaker with High Frequency on the Left

The horizontal wall mount setup is used when a left/right stereo configuration is needed.

To **horizontally wall mount a ZLX Series loudspeaker with High Frequency on the left**, do the following:



Caution!

Due to the weight of the loudspeaker system, it is imperative the bracket be properly secured to the wall. The choice of fastener (not supplied) will be determined by the material and construction of the mounting surface.

1. Using fasteners suitable for the wall material (not supplied), attach the **U-bracket** to the wall.
2. Install the the upper and lower mounts onto the opposite handles (see Installing ZLX Mounts).

Note: The upper mount is attached to where the lower handle was located and the lower mount is attached to where the upper handle was located (see Figure 2.8).

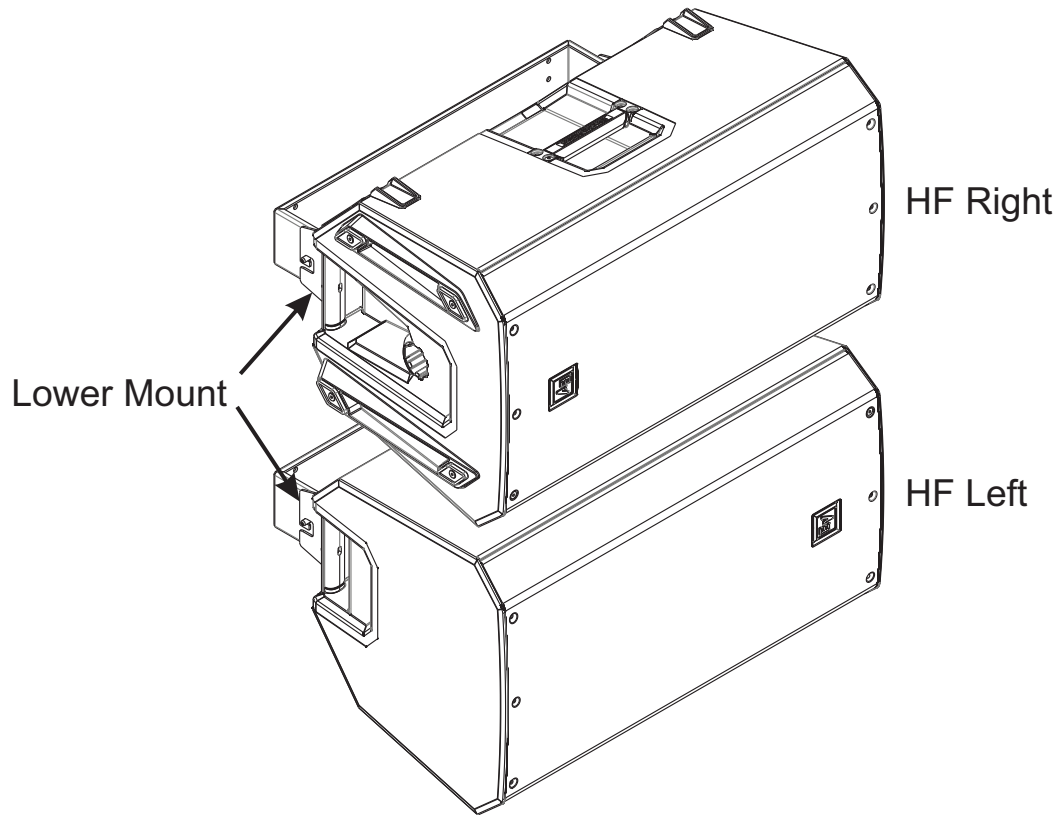


Figure 2.8: ZLX HF on the Left–Horizontal

3. Lift and rotate the **loudspeaker** to a horizontal position where the side handle is on the bottom.
4. Lift the **loudspeaker** and place the **lower mount** (positioned on the left side) onto the pivot pin on left side of the U-bracket (see Figure 2.6).
5. Ensuring the lower U-bracket pivot pin is securely placed in the notch, guide the **upper mount** (positioned on the right side) into position.
The loudspeaker is loosely hung; rest the loudspeaker against the mounting surface.
6. Position the **loudspeaker** for the desired angle (see Figure 2.4).
7. Insert and tighten the **two (2) screws (supplied)** sufficiently so the loudspeaker does not inadvertently rotate (see Figure 2.7).

3 Technical data

Dimensions (H x W x D):	475 mm x 108 mm x 107 mm (18.70 in x 4.25 in x 3.03 in)
Shipping Dimensions:	505 mm x 130 mm x 100 mm (19.88 in x 5.12 in x 3.94 in)
Net Weight:	1.70 kg (3.75 lb)
Shipping Weight:	1.90 kg (4.19 lb)

Table 3.1: Specifications

Quantity	Description
1	U-bracket
1	Upper mount
1	Lower mount
2	Screws

Table 3.2: Components

Bosch Security Systems, Inc

12000 Portland Avenue South

Burnsville MN 55337

USA

www.electrovoice.com

© Bosch Security Systems, Inc, 2013
