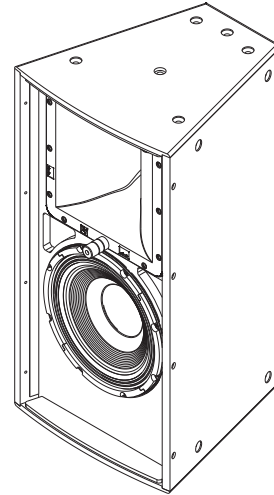


EVF-1122S/94 Arrayable point-source 12" loudspeaker

- 12-inch arrayable two-way point-source loudspeaker
- Rotatable constant directivity waveguide
- Passive system: 98 dB sensitivity, 131 dB maximum SPL
- System rating: 500 W continuous, (2000 W peak)
- Partially-weatherized PI and fully-weatherized FG versions available with gland nut and stainless-steel grille
- EN54-24 type B certification 1438-CPR-0283 (Only available in select regions)



The Electro-Voice EVF-1122S is a high power, two-way front loaded loudspeaker system that can be used in a variety of applications where high quality sound reinforcement is required in a compact, lightweight package.

For high frequencies, the EVF-1122S utilizes the ND2B high output 2-inch titanium compression driver, coupled to a rotatable Constant Directivity 40° x 30° waveguide. For low frequencies, the SMX2121 12-inch woofer was developed using FEA optimization for motor, suspension, and electrical design to ensure very low distortion, high efficiency, and maximum intelligibility at high SPL. The crossover uses steep 24-dB per-octave slopes with equalization for very smooth response in the vocal range, linear off-axis response, and an HF protection circuit for long term reliability. The EVF-1122S features make it ideal for many fixed-install applications. The trapezoidal enclosure is constructed out of weather-resistant birch and coated with EVCoat for enhanced durability. For protection against outdoor elements, weatherized versions are available (PI and FG). The enclosure is built with 22 M10 suspension points; 20 for single hang (four shoulder eyebolts included) or an array (optional HRK or VRK kits) and two for single hang with a U-bracket (optional EVF-UB).

The innovative input panel provides Phoenix-style connectors (included in all models) and a dual gland nut cover plate (CDG included in PI and FG models). For convenience in temporary installation you may add a dual NL4 type connector cover plate (CDNL4). An external easy to access jumper card is provided with each loudspeaker to assist you in the selection of

passive (standard shipping configuration) or biamp operation. An available 70.7/100 Volt internal transformer kit (TK-150) may be easily mounted to the input panel for use in distributed systems.

No matter what the application and budget, all these features provide you with the tools to increase flexibility during system design to meet and support your customer's requirements with fewer items in inventory.

EVF and EVH loudspeakers feature precise acoustics and rigging design for easy to configure vertical and horizontal arrays as part of the solutions provided in the EV innovation family.

Technical specifications

Frequency response (-3 dB):	58 Hz - 16 kHz ¹		
Frequency range (-10 dB):	49 Hz - 19 kHz ¹		
Rotatable coverage:	90° x 40°		
Rec. high-pass frequency:	65 Hz		
Passive crossover frequency:	1450 Hz		
Axial sensitivity:	98 dB (1W/1m) ¹		
Max. calculated SPL:	131 dB ¹		
Passive power handling:	500 W continuous, 2000 W peak ²		
Impedance:	8 Ω (nominal), 6.0 Ω (min)		
Transformer:	70 V	100 V	Z nom
Standard 50 Hz BW24 high-pass	37.5 W	75 W	130 Ω
	75 W	150 W	65 Ω

	150 W	Do Not Use	33 Ω
Transformer:	70 V	100 V	Z nom
89 Hz High-pass per EN54-24 spectrum	50 W	100 W	100 Ω
	100 W	200 W	50 Ω
	200 W	400 W	25 Ω
LF transducer - SMX2121, 12 in (305 mm) driver			
LF axial sensitivity:	99 dB (1W/1m) ⁴		
LF max. calculated SPL:	131 dB		
LF power handling:	400 W continuous, 1600 W peak		
LF impedance:	8 Ω (nominal), 6.3 Ω (min) ³		
HF transducer - ND2B, 2 in (51 mm) diaphragm compression driver			
HF axial sensitivity:	111 dB (1W/1m) ⁴		
HF max. calculated SPL:	133 dB		
HF power handling:	40 W continuous, 160 W peak		
HF impedance:	8 Ω (nominal), 7.4 Ω (min) ³		
Connectors:	Dual four pin 10 AWG Phoenix/ Euroblock style screw terminal		
Enclosure:	13-ply weather-resistant birch with EVCoat		
Grille:	16 GA power coated galvalume with, removable logo		
Environmental:	IEC 60529 IP55 for PI and FG versions		
Suspension:	(22) M10 threaded suspension points (4) shoulder eyebolts and (4) fender washers (included)		
Color:	White		
Dimensions (H x W x D):	30.26 in x 16.00 in x 16.27 in (768.6 mm x 406.3 mm x 413.3 mm)		
Net weight:	63.1 lb (28.6 kg)		
Shipping weight:	73.4 lb (33.3 kg)		

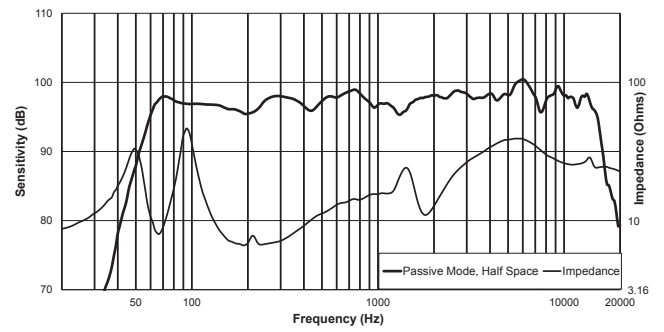
¹Half-space measurement.

²EIA RS-426A, tested for eight hours.

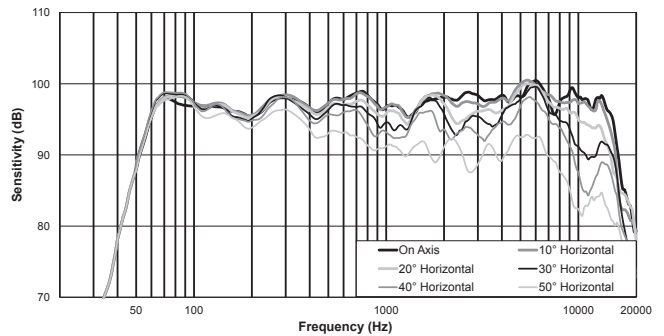
³AES 2-1984, tested for eight hours.

⁴Arithmetic averages, 300-1,450 Hz (LF) and 1,450-5,000 Hz (HF).

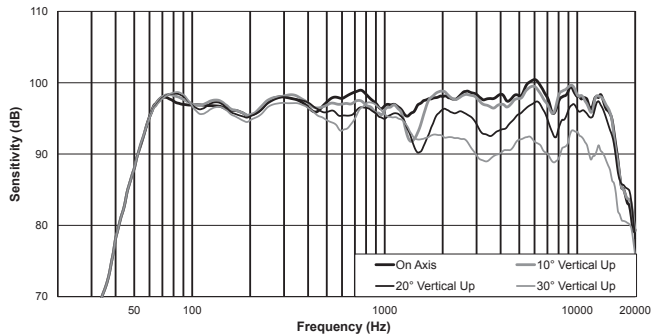
Frequency Response and Impedance:



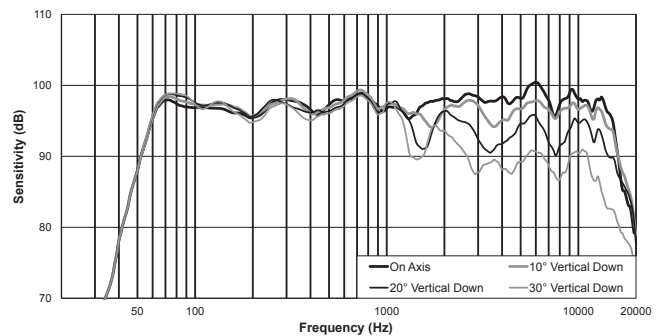
Horizontal Off-Axis Frequency Response:



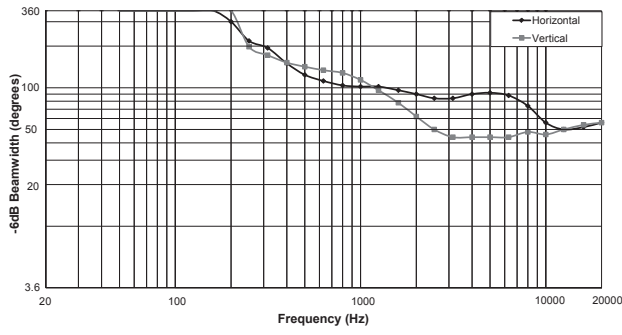
Vertical Off-Axis Frequency Response (Up):



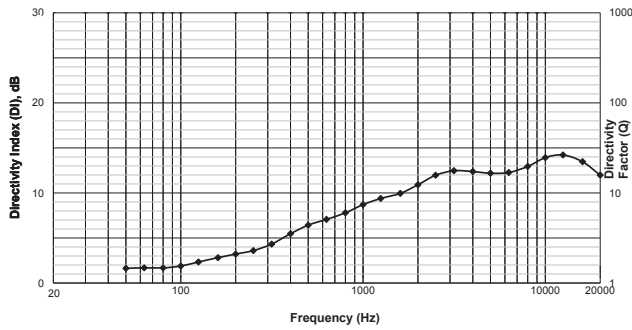
Vertical Off-Axis Frequency Response (Down):



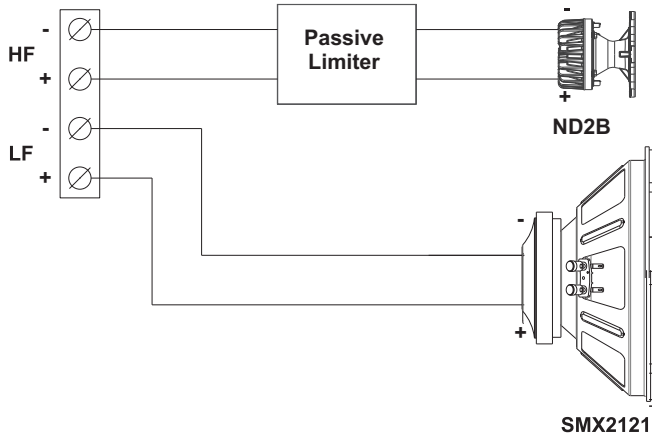
Beamwidth:



Directivity:

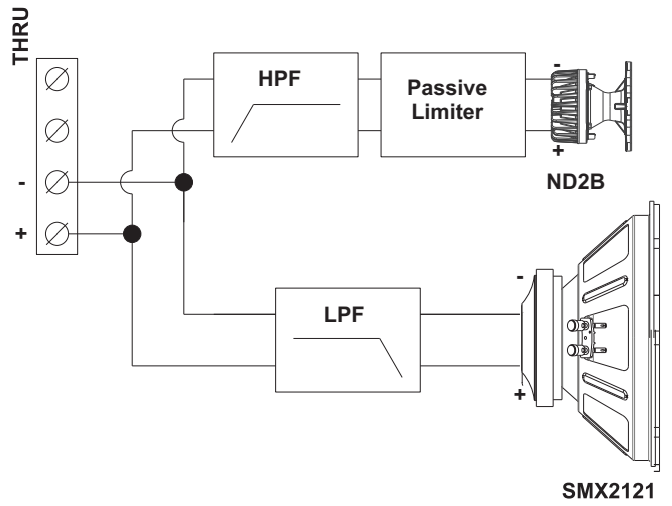


Block Diagram (Biamp):



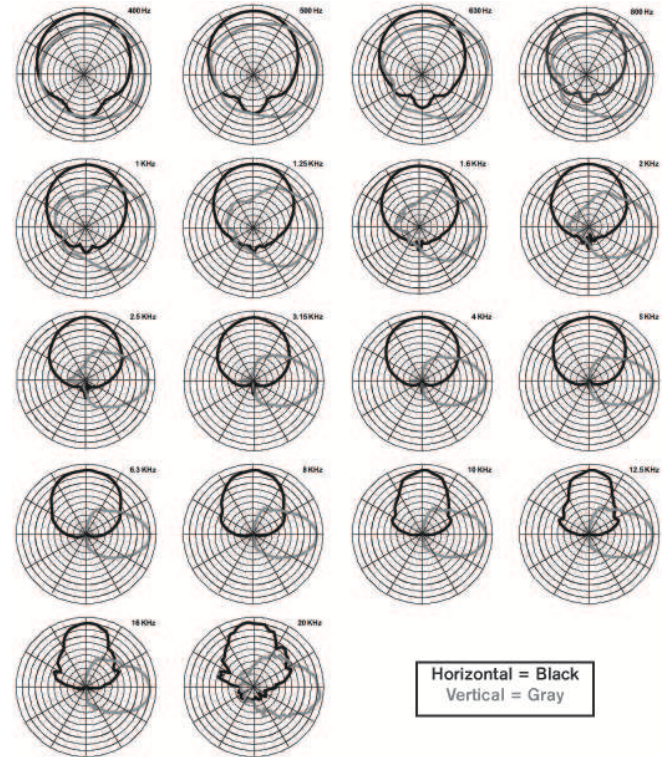
Block Diagram (Passive):

Standard shipping configuration

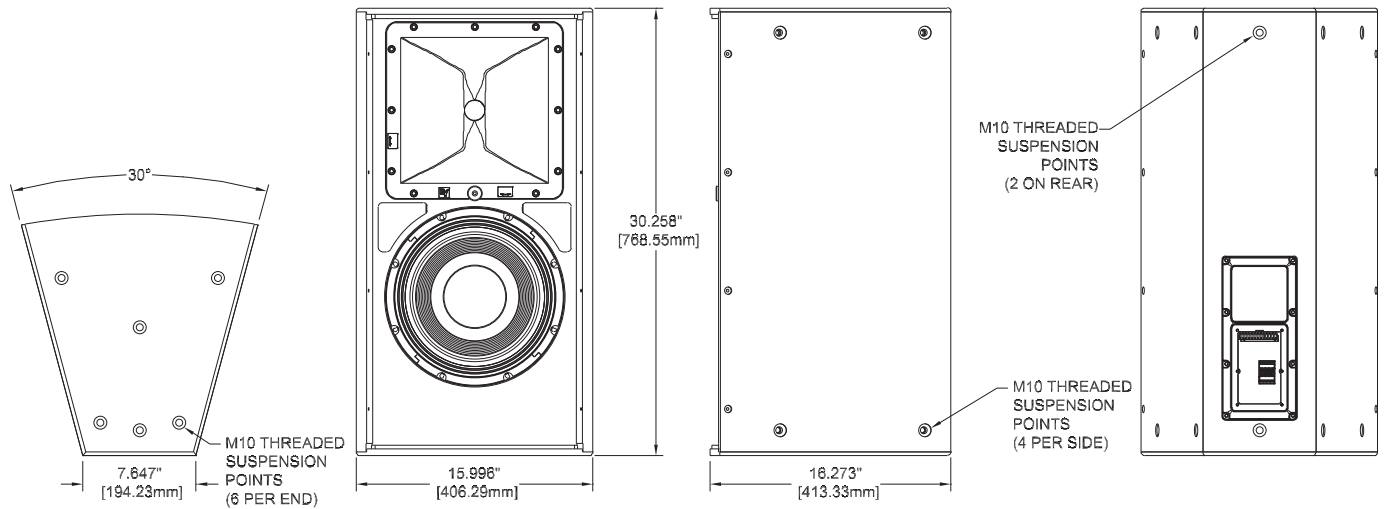


Horizontal and Vertical Polar Response (Passive):

Polar plots (1/3 octave)



Dimension Drawing:



i Notice
 This Electro-Voice loudspeaker should be suspended overhead only in accordance with the procedures and limitations specified in the User's Manual. This system should be suspended with certified rigging hardware by an authorized rigging professional and in compliance with local, state, and federal overhead suspension ordinances.

i Notice
 Acoustic measurement reference axis is 16 in (40.64 cm) up from the bottom and centered horizontally on the grille.

Compatible System Solutions:

EVF-1122S/64	60° x 40° Coverage
EVF-1122S/66	60° x 60° Coverage
EVF-1122S/96	90° x 60° Coverage
EVF-1122S/99	90° x 90° Coverage
EVF-1122S/126	120° x 60° Coverage
EVF-1152S/43	40° x 30° Coverage
EVF-1152S/64	60° x 40° Coverage
EVF-1152S/66	60° x 60° Coverage
EVF-1152S/94	90° x 40° Coverage
EVF-1152S/96	90° x 60° Coverage
EVF-1152S/99	90° x 90° Coverage
EVF-1121S	12" Bass Element
EVF-2121S	2 x 12" Bass Element
EVF-1151S	15" Bass Element
EVF-2151D	2 x 15" Bass Element
EVF-1181S	18" Bass Element
CPS2.12	CPS2.12 Power Amplifier ¹
CPS4.5	CPS4.5 Power Amplifier ¹
CPS4.10	CPS4.10 Power Amplifier ¹

¹Contact your sales representative for voltage information.

CE

1438

Bosch Security Systems Inc.
 12000 Portland Ave South, Burnsville, MN 55337, USA

1438-CPR-0283

EN 54-24:2008
 Voice alarm loudspeakers
 for fire detection and fire alarm systems for buildings

Loudspeakers type: EVF-1122S/64, EVF-1122S/66, EVF-1122S/94
 EVF-1122S/96, EVF-1122S/99, EVF-1122S/126
 (BLK, WHT, PIB, PIW)
 DoP: REG000104002

EN54-24 type B certification 1438-CPR-0283 **(Only available in select regions)**

Ordering information

EVF1122S94BLB 12" 90x40 indoor black
 EVF 12" / 2-way Full-range Systems; SMX woofer & ND2B driver (500 W cont.) 90° x 40°, EVCoat, black
 Order number **EVF1122S94BLB | F.01U.272.502**

EVF1122S94WHLB 12" 90x40 indoor white
 EVF 12" / 2-way Full-range Systems; SMX woofer & ND2B driver (500 W cont.) 90° x 40°, EVCoat, white
 Order number **EVF1122S94WHLB | F.01U.272.503**

EVF1122S94PBLB 12" 90x40 weatherized black
 EVF 12" / 2-way Full-range Systems; SMX woofer & ND2B driver (500 W cont.) 90° x 40°, EVCoat, PI-weatherized, black
 Order number **EVF1122S94PBLB | F.01U.272.504**

EVF1122S94PWLB 12" 90x40 weatherized white
 EVF 12" / 2-way Full-range Systems; SMX woofer & ND2B driver (500 W cont.) 90° x 40°, EVCoat, PI-weatherized, white
 Order number **EVF1122S94PWLB | F.01U.272.505**

EVF1122S94FBLB 12" 90x40 fiberglass black

EVF 12" / 2-way Full-range Systems; SMX woofer & ND2B driver (500 W cont.) 90° x 40°, EVCoat, fiberglass, black
Order number **EVF1122S94FBLB | F.01U.272.915**

EVF1122S94FWLB 12" 90x40 fiberglass white

EVF 12" / 2-way Full-range Systems; SMX woofer & ND2B driver (500 W cont.) 90° x 40°, EVCoat, fiberglass, white
Order number **EVF1122S94FWLB | F.01U.272.916**

EVF1122S94BLKE 12" 90x40 indoor black, EN54-24

EVF 12" / 2-way Full-range Systems; SMX woofer & ND2B driver (500 W cont.) 90° x 40°, EVCoat, black – EN54-24 certified
Order number **EVF1122S94BLKE | F.01U.206.135**

EVF1122S94WHT 12" 90x40 indoor white, EN54-24

EVF 12" / 2-way Full-range Systems; SMX woofer & ND2B driver (500 W cont.) 90° x 40°, EVCoat, white – EN54-24 certified
Order number **EVF1122S94WHT | F.01U.206.136**

EVF1122S94PIBE 12" 90x40 weatherized black, EN54-24

EVF 12" / 2-way Full-range Systems; SMX woofer & ND2B driver (500 W cont.) 90° x 40°, EVCoat, PI-weatherized black – EN54-24 certified
Order number **EVF1122S94PIBE | F.01U.206.137**

EVF1122S94PIW

EVF 12" / 2-way Full-range Systems; SMX woofer & ND2B driver (500 W cont.) 90° x 40°, EVCoat, PI-weatherized white – EN54-24 certified
Order number **EVF1122S94PIWE | F.01U.206.138**

Accessories

CSG-LB Input panel cover plate single gland nut

Single gland nut cover kit for EVA, EVC, EVF & EVH, black
Order number **CSG-LB | F.01U.283.496**

CDG-LB Input panel cover plate, dual gland nut

Dual gland nut cover kit for EVA, EVC, EVF & EVH
Order number **CDG-LB | F.01U.283.497**

CDNL4-LB Input panel cover plate, dual NL4 type

Dual NL4 cover kit for EVA, EVC, EVF & EVH, black
Order number **CDNL4-LB | F.01U.283.495**

TK-150 70/100 Volt transformer kit

Transformer kit for EVC, EVF, and EVH, 150W/70V
Order number **TK-150 | F.01U.132.318**

EVF-UB-BLK-LB U-bracket for all EVF speakers black

Mounting bracket for EVF, black
Order number **EVF-UB-BLK-LB | F.01U.283.510**

EVF-UB-WHT-LB U-bracket for all EVF speakers white

Mounting bracket for EVF, white
Order number **EVF-UB-WHT-LB | F.01U.283.511**

HRK-1B-LB Horizontal rigging kit black, EVF + EVF

Horizontal rigging kit for EVF, black
Order number **HRK-1B-LB | F.01U.283.502**

HRK-1W-LB Horizontal rigging kit white, EVF + EVF

Horizontal rigging kit for EVF, white
Order number **HRK-1W-LB | F.01U.283.503**

HRK-2B-LB Horizontal rigging kit black, EVF + EVH

Horizontal rigging kit for EVF & EVH full-range to EVF sub, black
Order number **HRK-2B-LB | F.01U.283.504**

HRK-2W-LB Horizontal rigging kit white, EVF + EVH

Horizontal rigging kit for EVF & EVH full-range to EVF sub, white
Order number **HRK-2W-LB | F.01U.283.505**

VRK-1B-LB Vertical rigging kit black, EVF + EVF

Vertical rigging kit for EVF, black
Order number **VRK-1B-LB | F.01U.283.506**

VRK-1W-LB Vertical rigging kit white, EVF + EVF

Vertical rigging kit for EVF, white
Order number **VRK-1W-LB | F.01U.283.507**

VRK-2B-LB Vertical rigging kit black, EVF + EVH

Vertical rigging kit for EVF & EVH full-range to EVF subs, black
Order number **VRK-2B-LB | F.01U.283.508**

VRK-2W-LB Vertical rigging kit white, EVF + EVH

Vertical rigging kit for EVF & EVH full-range to EVF subs, white
Order number **VRK-2W-LB | F.01U.283.509**

Represented by:

Germany:
Bosch Sicherheitssysteme GmbH
Robert-Bosch-Ring 5
85630 Grasbrunn
Germany
www.electrovoice.com

Bosch Security Systems, LLC
12000 Portland Avenue South
Burnsville MN 55337
USA