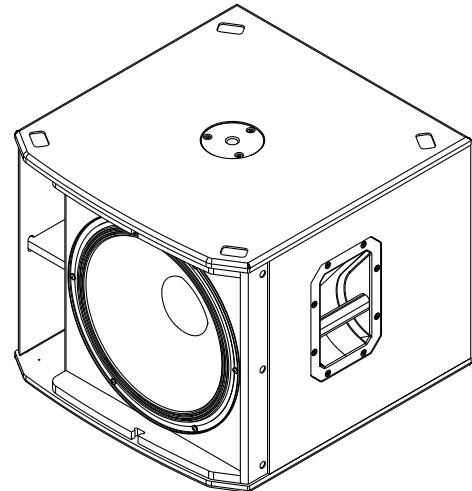


## EKX-15S Passive 15" Subwoofer

- 1600 W (peak), 133 dB SPL utilizing high-sensitivity transducers designed and engineered by EV.
- Lightweight, compact 15-mm wood enclosure with internal bracing and durable EVCoat finish.
- Large slot ports for low distortion and excellent bass extension.
- Metal grille reinforcement bar.
- M20 threaded pole mount plate.



Dimensions (H x W x D): 455 mm x 530 mm x 551 mm  
(18 in x 21 in x 22 in)

Net weight: 24.9 kg (55.0 lb)

Shipping weight: 31.3 kg (69.0 lb)

The EKX series combines legendary EV sound quality and reliability with the latest technology – all in a compact package suitable for a wide range of sound reinforcement scenarios, including musicians/DJs and live/club/installed sound applications.

EKX-15S delivers up to 133 dB SPL utilizing high-sensitivity transducers designed and engineered by EV (15-inch EVS-15C subwoofer).

EKX passive models are ideal for portable and installed applications, with lightweight and compact 15-mm wood enclosures with internal bracing, durable EVCoat finish, aluminum pole mounts, and all-metal handles.

<sup>1</sup>Half-space measurement.

<sup>2</sup>Maximum SPL is measured at 1 m using broadband pink noise at rated peak power rating.

### Technical specifications

Frequency response (-3 dB): 60 Hz - 100 Hz <sup>1</sup>
Frequency range (-10 dB): 40 Hz - 300 Hz <sup>1</sup>
Axial sensitivity: 95 dB <sup>1</sup>
Maximum SPL: 133 dB <sup>2</sup>
Recommended High-Pass 35 Hz Frequency:
Power handling: 400 W continuous, 1600 W peak
LF transducer: EVS-15C 381 mm (15 in)
Nominal impedance: 8 Ω
Minimum impedance: 7.5 Ω
Connectors: Dual NL4
Enclosure: 15 mm plywood with EVCoat
Grille: 18 AWG steel with powdercoat

**Dimensions**

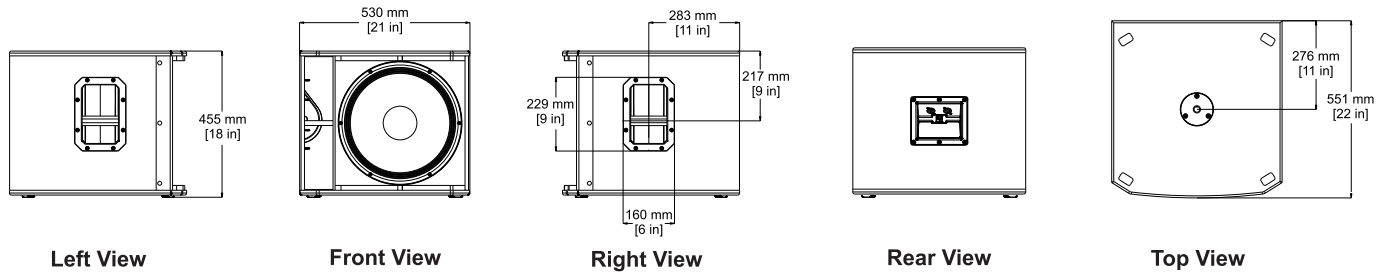
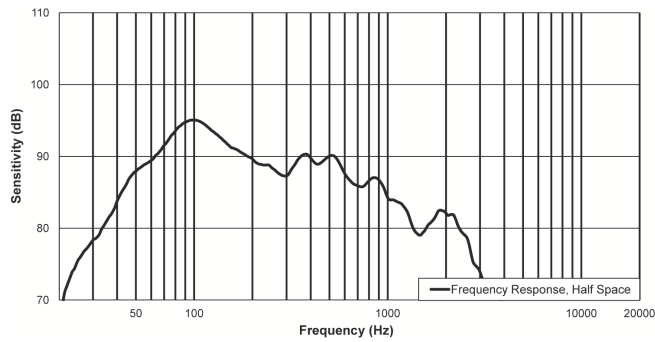


Fig. 1:

**Frequency response**



**PCL35 Speaker pole, 35mm, M20 threaded**  
 Subwoofer pole, 35mm, M20, black  
 Order number **PCL35 | F.01U.144.588 F.01U.353.592**



**Notice**

This Electro-Voice loudspeaker should be suspended overhead only in accordance with the procedures and limitations specified in the User's Manual. This system should be suspended with certified rigging hardware by an authorized rigging professional and in compliance with local, state, and federal overhead suspension ordinances.

**Ordering information**

**EKX-15S 15" passive subwoofer**  
 Passive 15-inch subwoofer, black  
 Order number **EKX-15S | F.01U.303.366**

**EKX-15S-AP 15" passive subwoofer AP**  
 Passive 15-inch subwoofer Asia-Pacific regions, black  
 Order number **EKX-15S-AP | F.01U.307.172**

**Accessories**

**EKX-15S-CVR Padded cover for EKX-15S & SP, EV logo**  
 Padded cover for EKX-15S/15SP, EV logo, black  
 Order number **EKX-15S-CVR | F.01U.303.393**

**ASP-58 Adjustable subwoofer stand**  
 Adjustable steel speaker pole with powder coat, tapered M20 threaded, black  
 Order number **ASP-58 | F.01U.317.892**

**Represented by:**

**Germany:**  
 Bosch Sicherheitssysteme GmbH  
 Robert-Bosch-Ring 5  
 85630 Grasbrunn  
 Germany  
 www.electrovoice.com

Bosch Security Systems, LLC  
 12000 Portland Avenue South  
 Burnsville MN 55337  
 USA