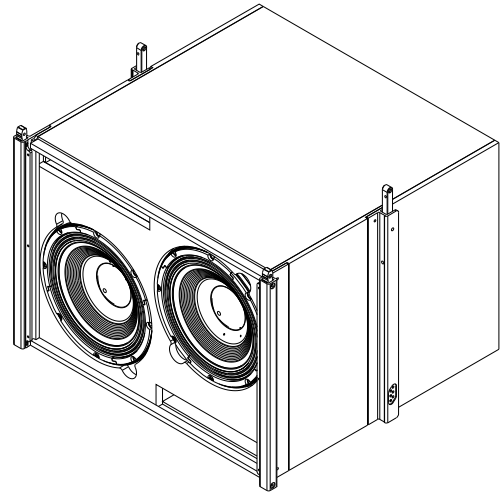


XCS312-FG Fiberglass Triple 12 in Cardioid Bass Element

- Triple 12 inch Cardioid Very Compact Line-Array Bass Element
- Three DVX3120A 12 inch Low Frequency Transducers
- 1500 Watt Continuous, 6000 Watt Peak
- Versatile Integration in Main Arrays
- Self-contained Rigging Hardware



The XCS312-FG is designed for high-level low frequency extension to 40 Hz in a cardioid configuration. It uses three DVX3120A forced air-cooled 12 inch transducers capable of long, linear excursion and high power handling in a two channel configuration. The FG models are fully-weatherized and fiberglass-coated. XCS312-FG speakers are designed to be used with a ratio of two XLD281-FG or XLD291-FG full range systems for each XCS312-FG subwoofer. The XLVC family consists of two full-range Line Array Elements with dual woofers, two full-range Line Array Elements with single woofers and one subwoofer system. The dual woofer Line Array Element includes the XLD281-FG with a 120° horizontal coverage pattern and the XLD291-FG with a 90° horizontal coverage pattern. The XCS312-FG cardioid subwoofer module has the same rigging footprint as the XLD281-FG and XLD291-FG allowing it to be directly arrayed above, or below XLD281-FG or XLD291-FG full range systems. LAPS2 modeling software quickly provides array configurations and rigging information. X-Line Very Compact weatherized models deliver unprecedented performance in outdoor venues in full exposure.

Technical specifications

Frequency Response (-3 dB):	45 Hz ¹
Frequency Range (-10 dB):	40 Hz ¹
Max Calculated SPL:	130 dB Cont., 136 dB Peak ¹
Rigging:	Fully Captive Aluminum, 1° Increments, 8 Elements with 8 to 1 Safety Factor
Power Handling:	1500W Cont., 6000W Peak (1 channel 1000W, 1 channel 500W)
Sensitivity:	100 dB ¹
Highpass Frequency:	40 Hz ²
Recommended Crossover Frequency:	100 Hz
Coverage:	200°
LF Front:	2 x 12 in (305mm) DVX3120A, 4 ohms
LF Rear:	1 x 12 in (305mm) DVX3120A, 8 ohms
Connectors:	Gland Nut with 30 ft cable

2 | XCS312-FG Fiberglass Triple 12 in Cardioid Bass Element

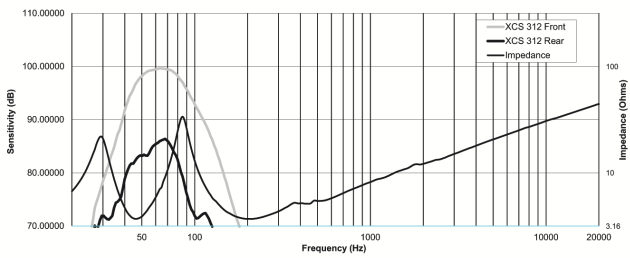
Enclosure:	13-ply birch plywood with fiberglass and EVCoat
Grille:	Stainless steel with powder coat paint and hydrophobic cloth
Environmental specifications:	IEC 60529 IP55
Dimensions (H x W x D):	508mm x 726mm x 677mm (20.00 in x 28.58 in x 26.64 in)
Net Weight:	67.1 kg (148 lb)
Shipping Weight:	73.0 kg (161 lb)

¹Half space measurement. SPL adjusted for 1W at 63 Hz at 1m

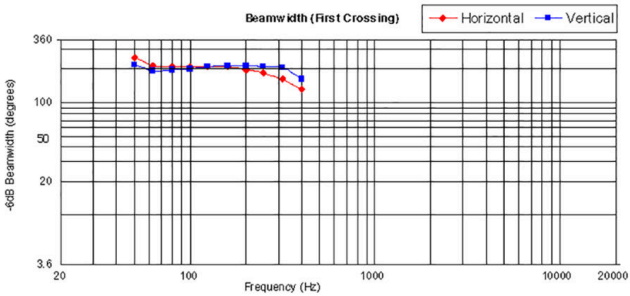
²Use EV Signal Processing or download presets from Electro-Voice website

System overview

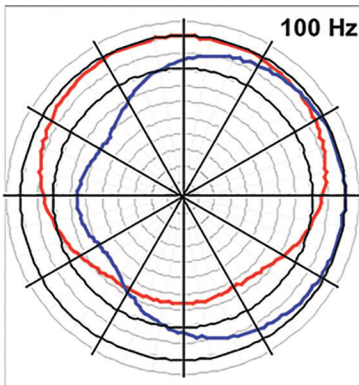
Frequency Response and Impedance:



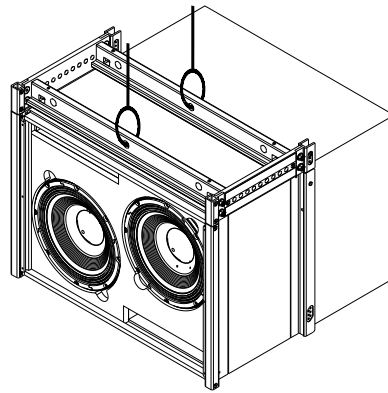
Beamwidth:



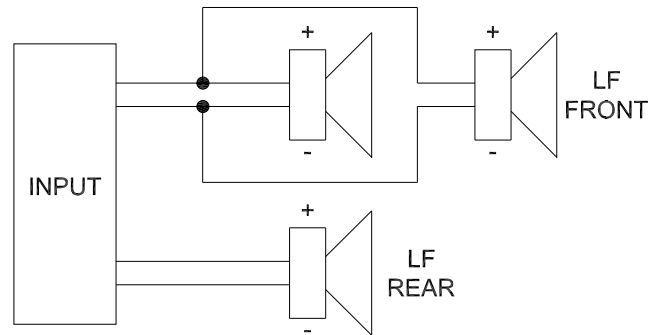
Polar Response:



Grid Drawing:



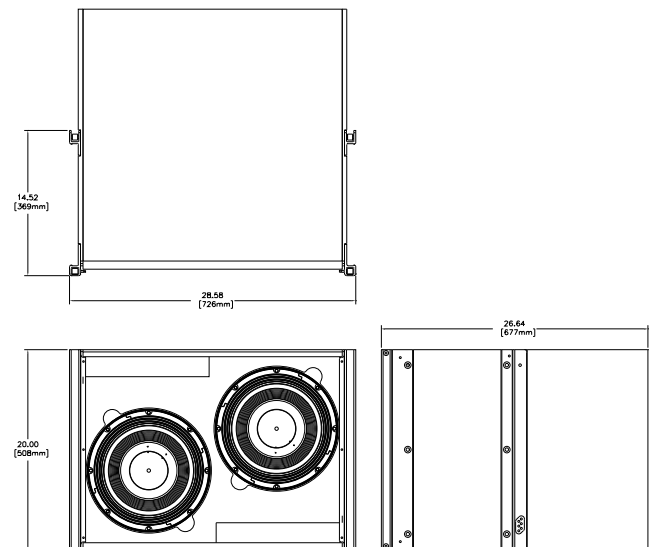
Block Diagram:



Wiring Detail:

LF Front	LF Rear
Red to LF+	Blue to LF+
Black to LF-	Brown to LF-

Dimensions:



Compatible System Solutions, Install Versions:

XLD281-FG 120° Full-Range Line Array Element

XLD291-FG 90° Full-Range Line Array Element

Compatible System Solutions, Electronics:

CP3000S Precision Series Power Amplifier

CP4000S Precision Series Power Amplifier

TG5 Tour Grade Power Amplifier

TG7 Tour Grade Power Amplifier

Dx46 Digital Sound System Controller

N8000 NetMax 300 MIPS Digital Matrix Controller

Ordering information

XCS312-FG Fiberglass Triple 12" Cardioid Bass Element Black

Cardioid subwoofer cabinet, fiberglass, 3 x 12"
DVX3120A, integrated rigging and ground stack, black
Order number **XCS312-FGB**

XCS312-FG Fiberglass Triple 12" Cardioid Bass Element White

Cardioid subwoofer cabinet, fiberglass, 3 x 12"
DVX3120A, integrated rigging and ground stack, white
Order number **XCS312-FGW**

Accessories

XLD Grid Fiberglass Black

XLD system fiberglass grid for up to 16 x XLD281-FG/
XLD291-FG or 8 x XCS312-FG, black
Order number **XLD-GRID-FGB**

XLD Grid Fiberglass White

XLD system fiberglass grid for up to 16 x XLD281-FG/
XLD291-FG or 8 x XCS312-FG, white
Order number **XLD-GRID-FGW**

XLCV-BGK-FGB Fiberglass Bottom Grid Kit Black

Bottom grid kit for XLD and XLE fiberglass (-FG)
systems, black
Order number **XLCV-BGK-FGB**

Represented by:

Germany:

Bosch Sicherheitssysteme GmbH
Robert-Bosch-Ring 5
85630 Grasbrunn
Germany

Bosch Security Systems, Inc.
12000 Portland Avenue South
Burnsville MN 55337
USA

www.electrovoice.com