

EVID-PC8.2E 8" EN54 Ceiling Speaker System



Electro-Voice

- High output true compression driver for wide dispersion and superior coverage control out to 20 kHz
- Long throw 8-inch (200 mm) woofer housed in a large vented 14 gauge steel enclosure for extended LF performance down to 40 Hz
- 100 watt power handling provides for 95 dB maximum SPL
- Front baffle transformer tap adjustment switch
- EN 54-24



The EVID PC8.2E speaker system from Electro-Voice is a complete high performance two-way ceiling speaker package. The EVID PC8.2E is ideal for background and foreground music, voice evacuation, paging, and sound reinforcement applications. All EVID Premium Ceiling Speaker models provide a unique combination of high acoustic output, superb coverage control, high power handling and wide dispersion, to cover virtually any size listening area. The EVID PC8.2E comes completely assembled with an integrated bezel assembly, grille, rear enclosure, 8-inch (200 mm) coaxial two-way speaker and internal high power line-matching transformer. The speaker features a waveguide coupled true compression HF driver and a long excursion 8-inch (200 mm) woofer. The EVID PC8.2E utilizes a transformer that offers a selection of 7.5 W (70-V only), 15, 30 or 60 watts delivered to the speaker system using either 70-V or 100-V lines, or 8 ohm bypass. Selection is via a convenient switch on the front baffle. The perforated grille is fully zinc plated and finished in semi-gloss white powder-coated enamel. The baffle and bezel are constructed from fire rated ABS. The rear enclosure is constructed from zinc-plated, heavy gauge steel. The rear enclosure, with fiberglass damping material, provides an optimum internal volume for extended low-frequency performance. A rear cover, with provisions for a junction box fitting, provides access to a 4-pin terminal

block that allows direct connection to the speaker with up to 2.5 mm (12 AWG) wire and provides pass through to additional speakers. The rear input cover for EN54 is used to create a seal to protect the ceiling speaker from moisture and foreign particles, if properly installed. The weatherized terminal cover must be used in all EN54 installations. Two adjustable metal tile bridges and metal "C" ring are included for safe suspension of the EVID PC8.2E ceiling systems in a drop ceiling that uses mineral wool, or other fiber based ceiling tiles. The wide range of EVID ceiling speakers has been designed to work together as a complete system in a variety of different ceiling constructions.

Technical specifications

Frequency Range (-10 db):	40 Hz – 20 kHz
Nominal Coverage (Conical):	120°
Power Handling (Direct Coupled):	200 W Program, 100 W Pink Noise as per EN54-24 standard
Sensitivity per EN54-24 standard (SPL 1 W / 4 m):	74.5 dB

2 | 8" EN54 Ceiling Speaker System


Max Calculated SPL per EN54-24 standard:	60 watt Transformer coupled @ 4 meters: 92 dB 100 watt Direct coupled @ 4 meters: 95 dB
Impedance:	Direct Coupled: 8 Ohms 70V Transformer Coupled: 60 watt/83Ω, 30 watt/167Ω, 15 watt/333Ω, 7.5 watt/667Ω 100v Transformer Coupled: 60watt/167Ω, 30 watt/333Ω, 15 watt/667Ω
LF Transducer:	200 mm (8 in)
HF Transducer:	35 mm Compression Driver
Transformer Taps:	70V: 60W, 30W, 15W, 7.5W, 8 ohm 100V: 60W, 30W, 15W, 8 ohm
Connectors:	Removable locking 4-pin (Phoenix) 2.5 mm (12 AWG) max wire size
Enclosure:	ABS Plastic (UL94V-0) Baffle, steel back can
Color:	White
Grille:	Color matched steel grille with fabric
Dimensions (H x Dia):	354 mm x 327 mm (13.94 in x 12.87 in)
Cutout Size:	294.3 mm (11.59 in)
Net Weight:	8.19 kg (18.05 lb)
Shipping Weight: (pair)	20.91 kg (46.1 lb)
Support Hardware:	C Ring, Tile Bridge, Weatherized Terminal Cover
Approvals:	UL1480, 2043; CE, EN54-24:2008

Notice!

The specifications data was measured in an anechoic chamber according to EN 54-24. Reference axis: Axis is on the center of grille surface and perpendicular to the grille surface.



Reference plane: Plane is on the grille surface and perpendicular to the reference axis. Horizontal plane: Plane is containing the reference axis and perpendicular to the reference plane.

 0359
Bosch Security Systems Inc. 130 Perinton Pkwy, Fairport, NY, 14450, USA 17 0359-CPR-00615
EN 54-24:2008 Loudspeaker for voice alarm systems for fire detection and fire alarm systems for buildings Ceiling loudspeakers EVID-PC6.2E, EVID-PC8.2E Type A See product manual F.01U.321.491 for further equalization and installation information.

Equalization:

When used in an EN54 installation the following equalization must be applied to the speakers:

EVID PC6.2E

PEQ Frequency: 180 Hz

PEQ Filter Q: 2.0

PEQ Gain: -6.0 dB

EVID PC8.2E

PEQ Frequency: 152 Hz

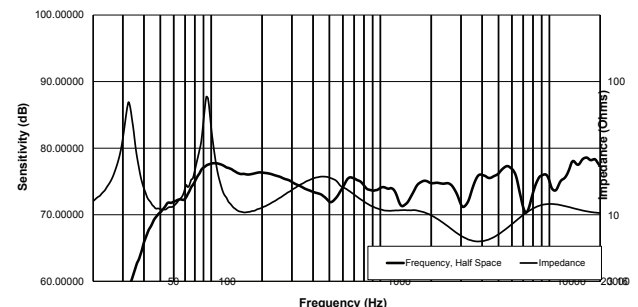
PEQ Filter Q: 2.0

PEQ Gain: -8.0 dB

Architectural and engineering specifications:

The EVID PC8.2E speaker system shall be comprised of a UL 94V-0 fire rated ABS baffle/bezel assembly, zinc plated steel rear enclosure, powder coated grille with safety tether, transformer with 8 ohm bypass, and 8-inch long excursion low frequency transducer with coaxially-mounted true compression HF driver. The speaker shall meet the following criteria: power rating shall be 100 watts of IEC 268-5 pink noise (6 dB crest factor). Frequency response, uniform from 40 Hz – 20 kHz. Pressure sensitivity, 88 dB SPL at 1 meter (3.3 feet) on axis with 1 watt of pink noise (ref. 20μPa). The speaker shall be 354 mm (13.94 in) deep and 327 mm (12.87 in) in diameter. Weight shall be 8.19 kg (18.05 lb). The coaxial ceiling speaker shall be the model EVID PC8.2E from Electro-Voice.

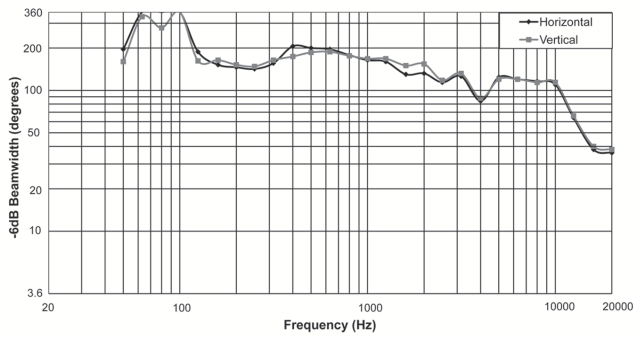
Frequency response and impedance:



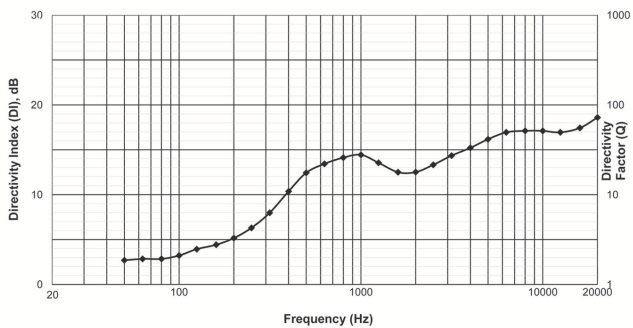
Frequency Response and Impedance 1 watt/4 meter/on axis (With EN54 required equalization applied)

3 | 8" EN54 Ceiling Speaker System

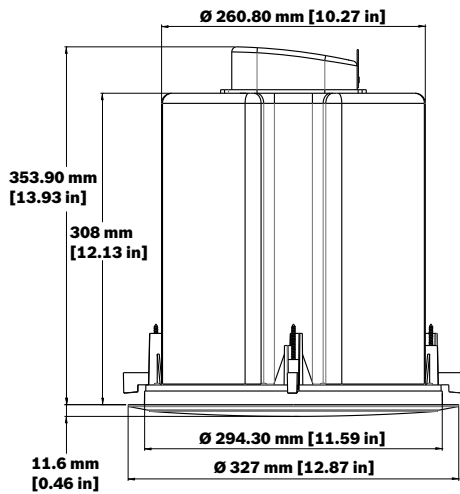
Beamwidth:



Directivity:



Dimensions:



Parts included

Quantity	Component
2	Speaker systems
4	Tile rails
2	C-ring supports
2	Grilles
1	Manual
4	Support ring screws

Quantity	Component
2	Terminal connectors
1	Cutout template
2	Weatherized terminal covers
2	Gland nuts
8	Screws

Ordering information

8" EN54 Ceiling Speaker System

Ultra high performance 8" two-way ceiling mount loudspeaker system with concentric compression driver and integrated housing and mounting system (set of 2 pcs), 100W, EN 54-24 certified, white
Order number **EVID-PC8.2E**

Accessories

RR-PC82 KIT, EVID PC8.2 ROUGH IN PLATE

Rough-in mounting plate for new construction for use with the EVID PC8.2 or EVID PC8.2E (4 pcs)
Order number **RR-PC82-B**

4 | 8" EN54 Ceiling Speaker System

Represented by:

Germany:
Bosch Sicherheitssysteme GmbH
Robert-Bosch-Ring 5
85630 Grasbrunn
Germany

Bosch Security Systems, Inc.
12000 Portland Avenue South
Burnsville MN 55337
USA

www.electrovoice.com