

RE3-BPT-T Bodypack transmitter 803-806MHz

- Robust metal body
- 3 MHz tuning bandwidth
- Selectable 10mW and 50mW output power
- Unique magnetic latch and lock for easy access to batteries
- Sync function for easy frequency setup



The RE3-BPT-T is a small, lightweight yet robust UHF bodypack transmitter. It is easily worn and concealed, making it an ideal form factor for a wide variety of professional presentation and performance applications. From stand-up presentations, to theatrical and musical performances, to high-energy fitness and athletic situations, this sleek and rugged transmitter fits comfortably and accepts a wide variety of input devices.

The all-metal body is robust and durable, and operates on 2 AA alkaline or rechargeable NiMH cells. The 3 MHz tuning bandwidth affords frequency tuning options helping to avoid various sources of possible interference. The selectable 10mW or 50mW output power assists in overcoming the challenges of both long, or short, transmission ranges. The unique magnetic sliding latch and lock mechanism keeps the battery door closed securely and makes opening to access the batteries effortless. The ultrasonic sync function makes for a simple system setup by syncing the transmitter to the receiver frequency tuning and other functional data. Recharging contacts provide for functional use with the optional BC2 charging station allowing the NiMH rechargeable cells within two bodypack transmitters to be charged without removal.

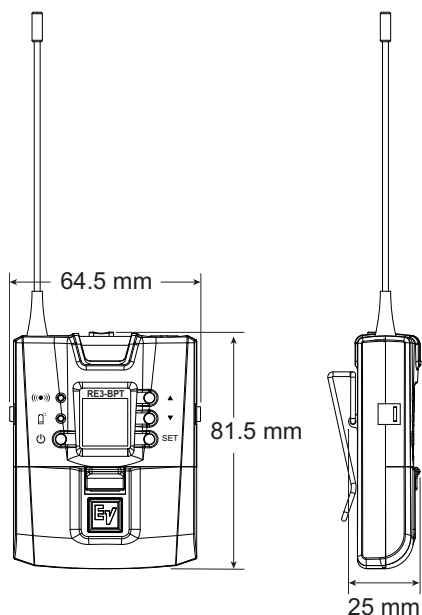
Technical specifications

Frequency oscillation mode:	Phase-locked loop (PLL)
Band name:	T
Tuning bandwidth:	3 MHz
Carrier frequency range:	803-806 MHz
Sync frequency:	Ultrasonic
RF power output:	Low 10mW / High 50mW
Display by:	LCD + LED
Function controls:	Power, mute, group, channel, frequency, sensitivity adjustment, input level attenuation, RF power, auto off, key lock.
RF stability:	<±10kHz@Fc
Modulation frequency shift:	Wideband FM ±48kHz deviation
Harmonic radiation:	<-50dBc
Input jack:	4-pin mini jack
Battery:	2 x AA alkaline battery or NiMH rechargeable battery
Charging contacts:	Yes

2 | RE3-BPT-T Bodypack transmitter 803-806MHz

Finish:	Black polyurethane paint
Dimensions (without antenna):	Height: 3.2 in. (81.5mm) Width: 2.54 in. (64.5mm) Depth: 0.98 in. (25mm)
Net weight:	6.14 oz. (0.174 kg)
Gross weight:	8.29 oz. (0.235 kg)

Dimensions:



For full operational information, download the RE3 installation manual at www.electrovoice.com.

Notices

Battery precautions

- Keep batteries out of the reach of children.
- Observe and install batteries according to the correct polarity as marked on the battery and the transmitter battery compartment.
- Do not expose the battery to excessive heat such as sunshine, fire, or other sources of high heat.
- Always consider the environment issues and follow local regulations when disposing of batteries.
- Remove depleted battery immediately.
- Danger of explosion if battery is incorrectly replaced. Replace only with the same or equivalent type.
- Use only disposable LR6 (AA) alkaline or NiMH batteries.
- Do not mix new batteries with old ones in the transmitter at the same time.
- Do not use different battery types or models.
- Do not use a leaking battery. If battery leakage occurs, avoid contact with skin. If contact occurs, immediately wash thoroughly with soap and water.
- If battery leakage comes into contact with your eyes, immediately flush with water and seek medical attention.

- Remove and safely store batteries away from the transmitter when the transmitter will not be used for 60 or more days.

Replacement parts

Order number	Description
ESP-EF01U362342	RE3-BPT belt clip
ESP-EF01U362343	RE3-BPT door assembly
ESP-EF01U362344	RE3-BPT display window

Compatible products

Order number	Description
RE3-ACC-OL3	Omnidirectional lavalier mic with 4-pin mini plug
RE3-ACC-CL3	Cardioid lavalier mic with 4-pin mini plug
RE3-ACC-HW3	Headworn mic with 4-pin mini plug
RE3-ACC-GC3	Instrument cable; 1/4" to 4-pin mini plug
OLM10	Omnidirectional lavalier condenser mic with 4-pin mini plug
ULM18	Uni-directional lapel mic
ULM21	Cardioid lavalier condenser mic with 4-pin mini plug
RE92TX	Premium cardioid lapel microphone with 4-pin mini plug
RE97LTX-BEIGE	Miniature omnidirectional lapel microphone with 4-pin mini plug, beige
RE97LTX-BLACK	Miniature omnidirectional lapel microphone with 4-pin mini plug, black
RE920TX	Premium cardioid instrument mic with a custom shock mounting clip and 4-pin mini plug
RE97TX-BEIGE	Omnidirectional low profile headworn microphone in light beige color with 4-pin mini plug
RE97TX-BLACK	Omnidirectional low profile headworn microphone in black color with 4-pin mini plug
RE97-2TX-BEIGE	Omnidirectional low profile, double ear headworn microphone with 4-pin mini plug
HM2	Headworn cardioid condenser vocal mic with 4-pin mini plug
HM3	Omnidirectional headworn mic
HM7	Headworn cardioid condenser vocal mic with 4-pin mini plug
WPHS-746	Headworn condenser vocal mic with 4-pin mini plug. Waterproofing material covers mic and headband

3 | RE3-BPT-T Bodypack transmitter 803-806MHz

Order number	Description
PH-21	Headworn, cardioid condenser mic with 4-pin mini plug
WLM-50	Omni-directional electret lapel mic with 4-pin mini plug
MAC-G3	Guitar cord featuring George L's cable with 4-pin mini plug

Parts included

Quantity	Component
1	Bodypack transmitter with antenna and beltclip
2	AA batteries

Quantity	Component
1	Engineering datasheet
1	Warranty and product documentation information card

Ordering information

RE3-BPT-T Bodypack transmitter 803-806MHz

RE3 wireless bodypack transmitter, T band, 803-806 MHz, black

Order number **RE3-BPT-T**

Represented by:

Germany:
Bosch Sicherheitssysteme GmbH
Robert-Bosch-Ring 5
85630 Grasbrunn
Germany

Bosch Security Systems, Inc.
12000 Portland Avenue South
Burnsville MN 55337
USA

www.electrovoice.com