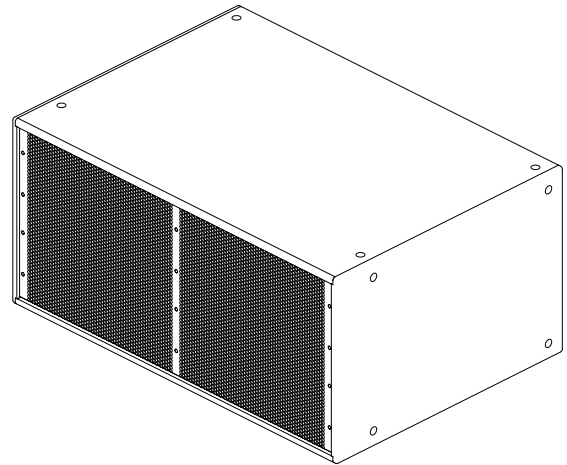


X12i-128



- High-output, high-impact dual 18 inch flying subwoofer system
- Compact cabinets with low-profile footprint, making them also suitable for under-stage applications
- Super-high-output DVF4180 woofers for low distortion at extremely high output
- 102 dB sensitivity (1 W, 1 m half space); 138/144 dB maximum SPL (continuous/peak)
- Available in indoor and fully weatherized fiberglass versions, in black or white



The X-Line Advance X12i-128 subwoofer produces the greatest low-frequency impact and performance EV has ever developed. It is truly a state-of-the-art compact cabinet that delivers more LF output in a smaller footprint than other subwoofers available today.

In addition to its extremely high output capability, the X12i-128 is designed to acoustically match seamlessly with any X-Line Advance top cabinet as a ground stack subwoofer or as a flown subwoofer. Electro-Voice PREVIEW Loudspeaker Software quickly and accurately calculates array configuration data and coverage predictions. The software also provides information for the creation of steered/shaped subwoofer arrays. Optimized cardioid settings that can supply up to 30 dB of rejection are an option for maximum versatility in a variety of applications. The X12i-128 is a premium solution for fixed install applications. The enclosure is constructed of weather-resistant birch plywood. The indoor install models have interlocking feet for ground stack applications and are finished with a polyurea coating for enhanced durability. In addition to the indoor install models, the IP55 rated fiberglass models are fully weatherized for use in direct exposure outdoor environments. All models utilize stainless steel grilles and hardware for maximum corrosion resistance. The enclosures, available in both RAL9005 black and RAL9003 white, have four M10 hard points on each side of the enclosure for mounting to structural framing. There are four additional M10 hard points on the top of the enclosure for suspending a single subwoofer.

The input panel provides dual high-current Phoenix style terminal blocks for ease of connectivity. The input panel is fully weatherized, with multiple gland nut sizes to accommodate a range of cable sizes. The X12i-128 offers superior configuration flexibility for easier system design and setup, making it the standout subwoofer choice for any larger-format installed audio application.

Technical specifications

Frequency response (-3 dB) ¹ :	27 - 200 Hz
Frequency response (-10 dB) ¹ :	23 - 1950 Hz
Coverage (H x V):	Omni directional
Rec. High-Pass Frequency:	27 Hz
Max SPL ¹ :	138 dB continuous, 144 dB peak
Configuration:	Dual mode: Each woofer is wired separately on Pins 1+/1- and 2 +/2-
Axial sensitivity ¹ :	102 dB (1 W/1 m)
Passive Power Handling ² :	4000 W continuous, 16,000 W peak
Impedance:	2 x 8 Ohm (nominal)
LF transducer:	2 x 18 in. DVF4180
Connectors:	Dual high current Phoenix terminal blocks

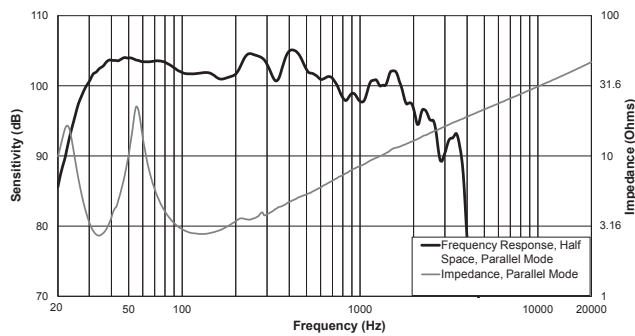
Enclosure:	13-ply weather resistant birch with EVCoat polyurea finish, internally braced. (Fiberglass coating on FG models)
Grille:	14 GA 304 stainless steel with powder coat. Fiberglass models have hydrophobic screen.
IP Rating:	IP55 (fiberglass models only)
Color:	RAL9003 white and RAL9005 black
Dimensions (H x W x D) ³ :	510 mm x 1094 mm x 764 mm 20.1 in. x 43.1 in. x 30.1 in.
Net Weight ³ :	86.6 kg (191 lb)
Shipping Weight ³ :	91.6 kg (202 lb)

¹Half-space anechoic measurement of single element.

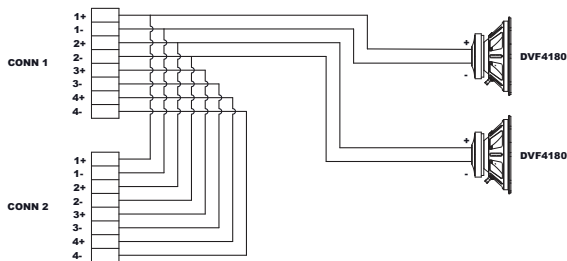
²AES 2-1984 power test.

³Indoor version, without the feet attached.

Frequency response and impedance:



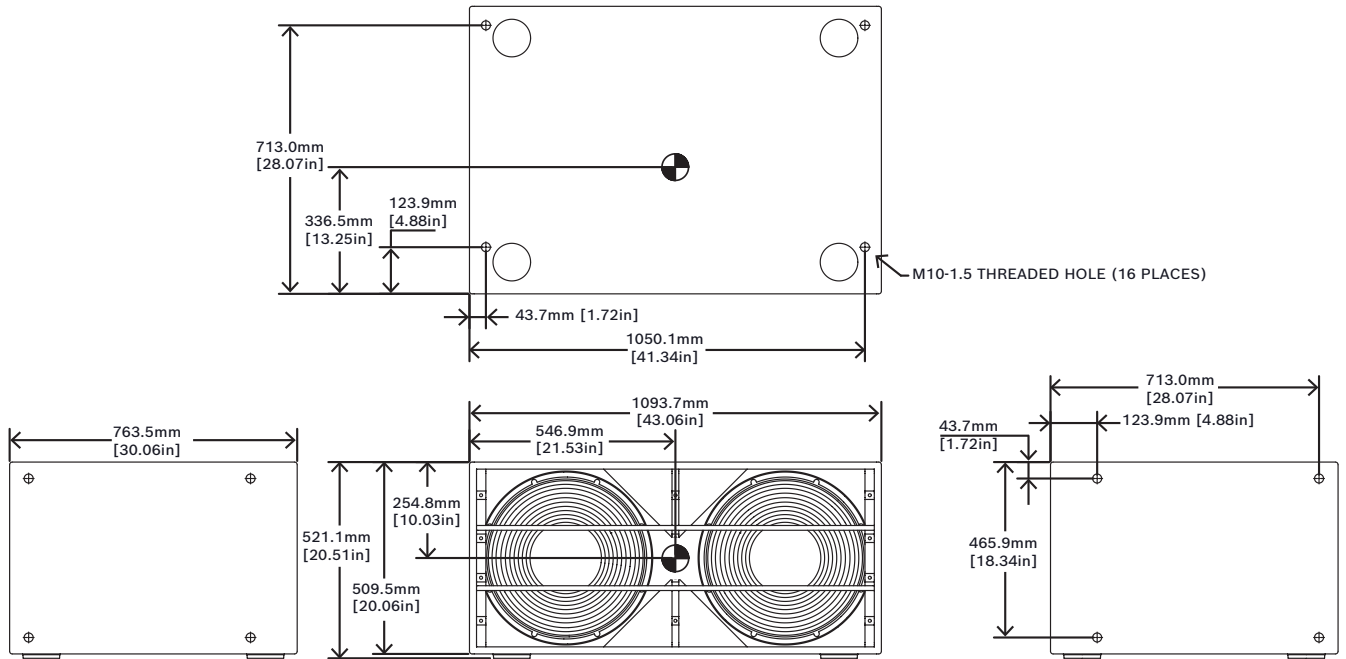
Block diagram:



Architectural and engineering specifications:

The loudspeaker system shall be a dual 18-inch subwoofer system with dual Phoenix type input connectors, where pins 1 +/- shall be wired to one low frequency transducer and pins 2 +/- shall be wired to the other low frequency transducer. Pins 3 +/- and 4 +/- shall be wired as pass thru between the two input connectors. The system shall have two 18-inch low-frequency transducers, each with a 4-inch voice coil and a nominal impedance of 8 Ohms. Each low frequency transducer shall have a power-handling capacity of 2000 watts (per AES 2-1984 and ANSI S4.26-1984). The loudspeaker enclosure shall be constructed of 18 mm birch plywood and shall be rectangular in shape. The grille shall be constructed from 14 GA powder-coated 304 stainless steel backed with acoustically transparent fabric. The loudspeaker shall be available with an indoor polyurea coating or in a fully weatherized IP55 version. Both versions shall include a gland nut cover that accepts cable diameters between 9 mm (0.35 inches) and 19 mm (0.74 inches). The system shall be capable of very high-level operation with a bandwidth of 27 Hz to 200 Hz (-3 dB down point). The system dimensions shall be 1094 mm (43.1 inches) wide by 510 mm (20.1 inches) high by 764 mm (30.1 inches) deep. The system shall employ four M10 hard points per side for mounting to structural framing and four M10 hard points on the top of the cabinet for single box suspension. Net weight shall be 86.6 kg (191 lb). The loudspeaker shall be the X12i-128 from Electro-Voice.

Dimensions:



Compatible System Solutions:

- X1i-212/90 90° Full-Range Line Array Element
- X2i-212/90 90° Full-Range Line Array Element
- X1i-212/120 120° Full-Range Line Array Element
- X2i-212/120 120° Full-Range Line Array Element

Compatible System Solutions, Electronics:

- Dynacord TGX20 DSP power amplifier 4x5000W, live
- Dynacord IPX20:4 DSP power amplifier 4x5000W, install

¹Contact your sales representative for available voltage versions.

Ordering information

X12i-128-FGB 2x18" Install sub black FG
 X12i 2 X 18-in, subwoofer, weatherized, black
 Order number **X12I-128-FGB**

X12i-128-B 2x18" Install sub black
 X12i 2 X 18-in, subwoofer, black
 Order number **X12I-128-B**

X12i-128-W 2x18" Install sub white
 X12i 2 X 18-in, subwoofer, white
 Order number **X12I-128-W**

X12i-128-FGW 2x18" Install sub white FG
 X12i 2 X 18-in, subwoofer, weatherized, white
 Order number **X12I-128-FGW**

Represented by:

Germany:
 Bosch Sicherheitssysteme GmbH
 Robert-Bosch-Ring 5
 85630 Grasbrunn
 Germany

Bosch Security Systems, Inc.
 12000 Portland Avenue South
 Burnsville MN 55337
 USA

www.electrovoice.com