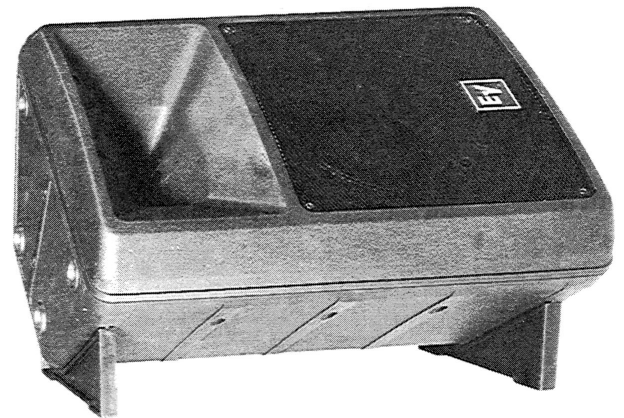


F200

- Stage monitor foot kit for Sx100, Sx300 or Sb122 speakers
- Tough, polypropylene for long-lasting use
- O-ring holds foot in place
- Easily removable – no tools required
- Optimum angle for stage monitor applications



The F200 Monitor Foot kit contains two (2) plastic feet and two (2) O-rings. For more information, see Components. Locate the O-rings in the groove on the plastic feet. These O-rings lock the feet in position and allow the feet to be removed without wear. They must be present. For more information, see Installing F200 monitor foot.

Technical specifications

Material:	Polypropylene
Finish:	Black
Net Weight:	0.36 kg (0.8 lb)
Shipping Weight:	0.45 kg (1.0 lb)

System overview

Components

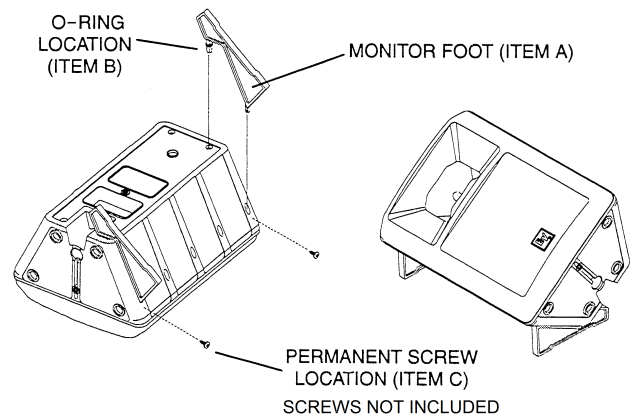
Item	Description	Quantity
A	Monitor Foot	2
B	O-Ring, STD #112, 1/2" ID, 11/16" OD, Buna-N	2
C	Screw, 8-18 x 5/8" Pan Head, Cross-Recess, Hi-Lo Threads (Not Included with kit)	-

Installing F200 monitor foot

The F200 is used with any Sx100, Sx300 or Sb122 speaker enclosure.

To **install the monitor foot**, do the following:

1. Insert the **foot firmly into the holes in the rear cabinet.**



2. Permanently attach **feet** by using two (2) screws (The screws are not included with the kit. For more information, see Components.).
The screws pass through the cabinet and into the foot.



Notice!

The locking screws should not be removed. Enclosure damage may result.

Caution!



The F200 monitor feet protrude from the enclosure. Care should be taken when moving the enclosure, since damage to the feet or enclosure might occur if the system is dropped or slid across a rough surface. It is recommended that the feet be removed for transport.

Removing F200 monitor foot

To **remove the monitor foot**, do the following:

- > Pull the **monitor foot** in the opposite direction.

Ordering information

F200

Monitor feet for Sx300, Sx100+, Sb122; black

Order number **F200-LB2**

Represented by:

Germany:

Bosch Sicherheitssysteme GmbH
Robert-Bosch-Ring 5
85630 Grasbrunn
Germany

Bosch Security Systems, Inc.
12000 Portland Avenue South
Burnsville MN 55337
USA

www.electrovoice.com